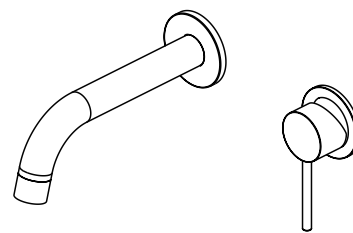


Wall Mixer & Spout Set

Anson Pin, Anson Pinless & Edge Wall Mixer & Spout Set



Please read these instructions in full before starting installation.

Important Safety Notes

Tapware must be installed by a licensed plumber in accordance with:

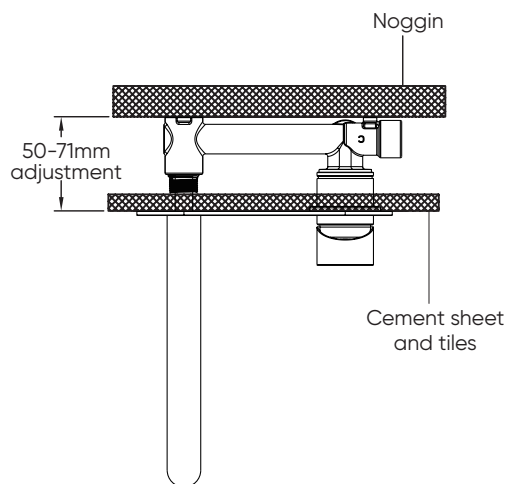
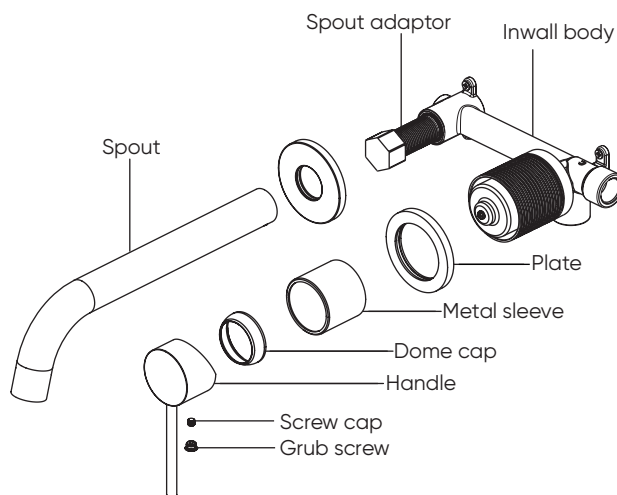
- Recommended working water supply pressure: 150-500 kPa
- Maximum hot water temperature – 75°C
- Australian standard AS3500.1 or relevant local authority requirements

Care of your Tapware

This guide applies to all finishes. Clean your tapware with mild soap and warm water. Wipe the surface dry with a clean soft cloth.

Important

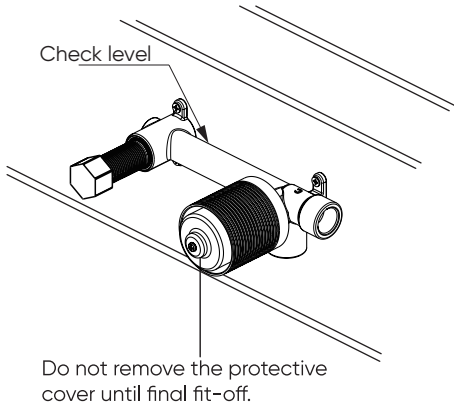
Avoid cleaners that contain chemicals such as ammonia, and chlorine, including citrus based and cream cleaners. These types of cleaning products could adversely affect the finish of the tapware and should not be used.



Adjustment range from the finished face of the tiles of the noggin is 50mm to 71mm as shown.

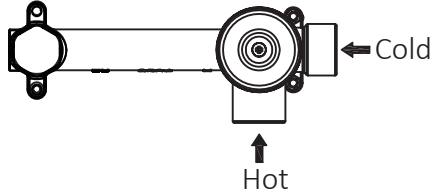
A

Screw the In wall body on to Noggin. Ensure that the Spout adaptor and mixer body centres are level.



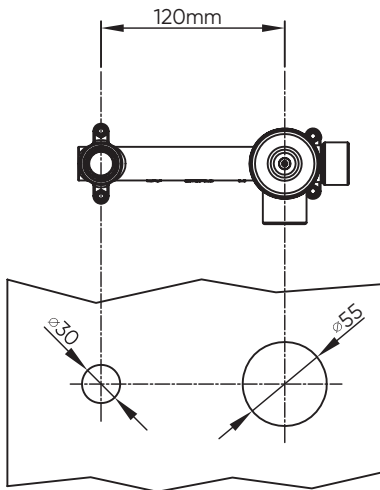
B

Connect hot and cold water supply, as shown. Test and check for leaks.



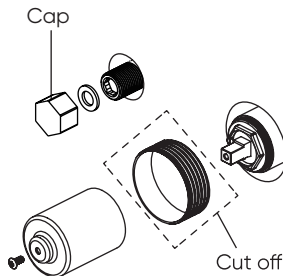
C

Mark line 120mm from centre of Spout adaptor to centre of mixer body. Create a 30mm and a 55mm holes on the Cement sheet and tiles, as shown.



D

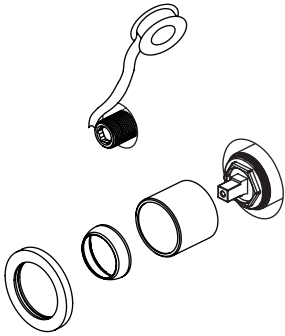
Remove protective cover, cut plastic sleeve as needed. Remove screw cap from Spout adaptor.



Remove both protective covers

E

Fix metal sleeve, Dome cap and Flange into position.
Wrap PTFE tape (thread seal tape) around the spout adaptor.



F

Fix the handle onto the cartridge, tighten the grub screw to secure the handle. Finally, fasten the spout in place.

