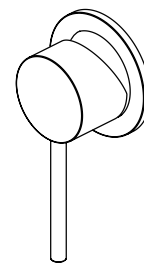


Wall Mixer



Anson Pin, Anson Pinless & Edge Wall Mixers

Please read these instructions in full before starting installation.

Important Safety Notes

Tapware must be installed by a licensed plumber in accordance with:

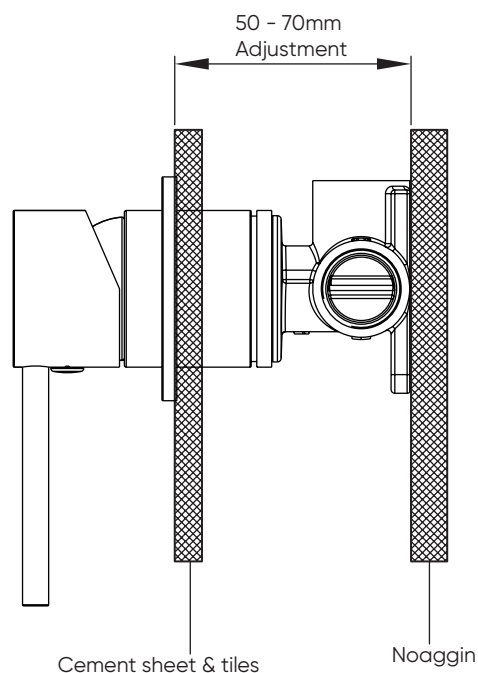
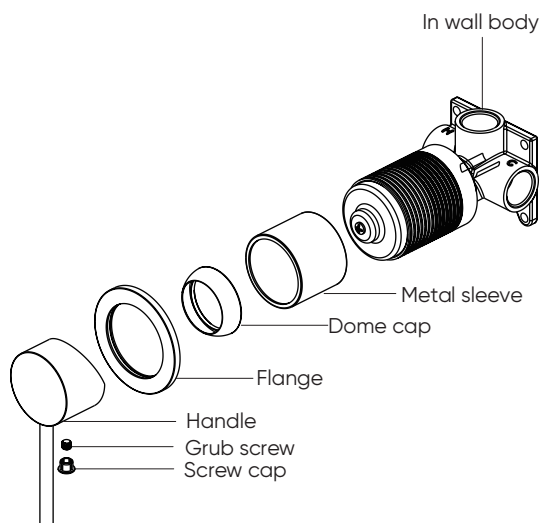
- Recommended working water supply pressure: 150-500 kPa
- Maximum hot water temperature – 75°C
- Australian standard AS3500.1 or relevant local authority requirements

Care of your Tapware

This guide applies to all finishes. Clean your tapware with mild soap and warm water. Wipe the surface dry with a clean soft cloth.

Important

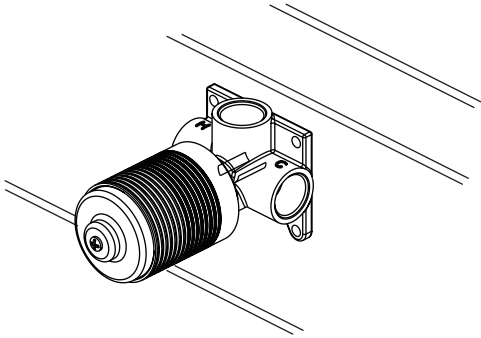
Avoid cleaners that contain chemicals such as ammonia, and chlorine, including citrus based and cream cleaners. These types of cleaning products could adversely affect the finish of the tapware and should not be used.



Adjustment range from the finished face of tiles to the Noggin is 50-70mm. as shown.

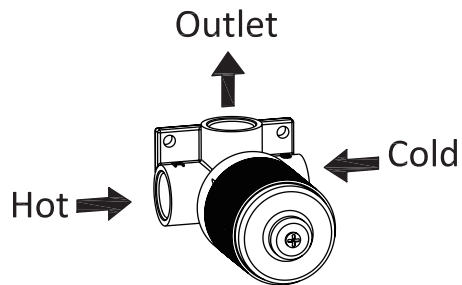
A

Screw the In wall body on to Noggin.



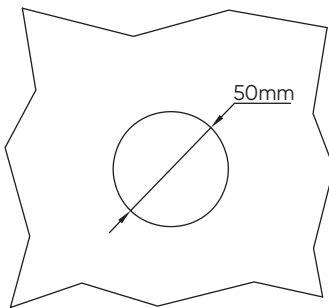
B

Connect hot and cold water supply, as shown.
Test and check for leaks.



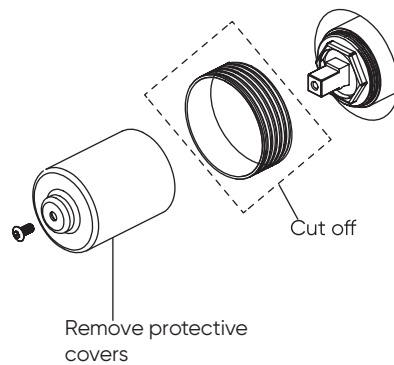
C

Create a 50mm hole on the Cement sheet and tiles, as shown.



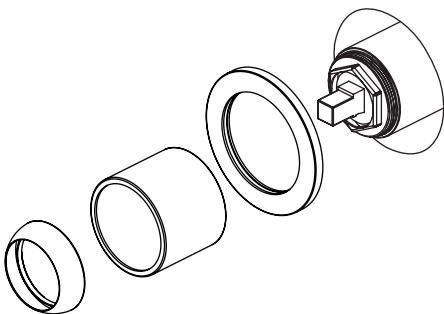
D

Remove the protective covers from the mixer body.



E

Fix Metal sleeve, Dome cap and Flange into position.



F

Fix Handle on to the cartridge and tighten Grub screw to secure Handle.
Fix Screw cap into position.

