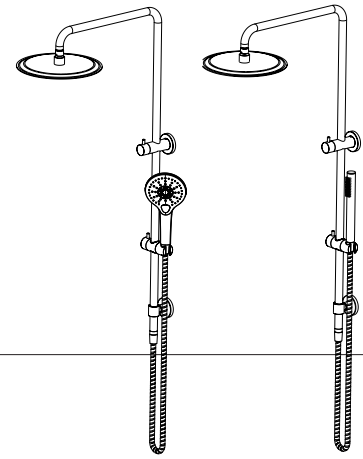


Twin Shower

Anson Twin Shower & Edge Twin Shower

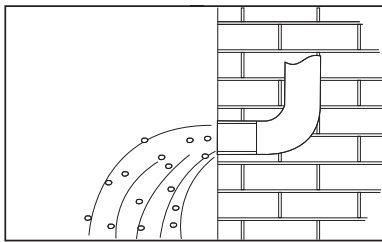
Please read these instructions in full before starting installation.



Important Safety Notes

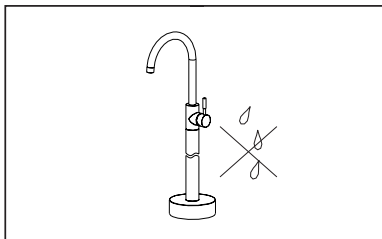
Tapware must be installed by a licensed plumber in accordance with:

- Recommended working water supply pressure: 150-500 kPa
- Maximum hot water temperature – 75°C
- Australian standard AS3500.1 or relevant local authority requirements



Before installation flush out all pipework and ensure it is clean and clear.

Ensure that the output pressure of cold and hot water meets the tap requirements.



After installation, test all connections for leaks.

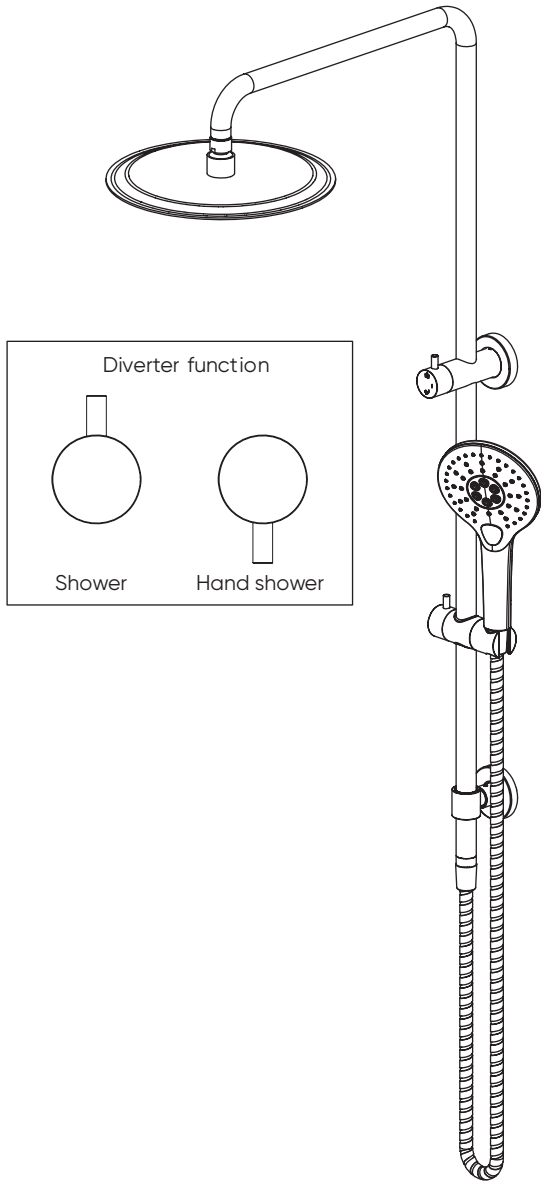
Care of your Tapware

This guide applies to all finishes. Clean your tapware with mild soap and warm water. Wipe the surface dry with a clean soft cloth.

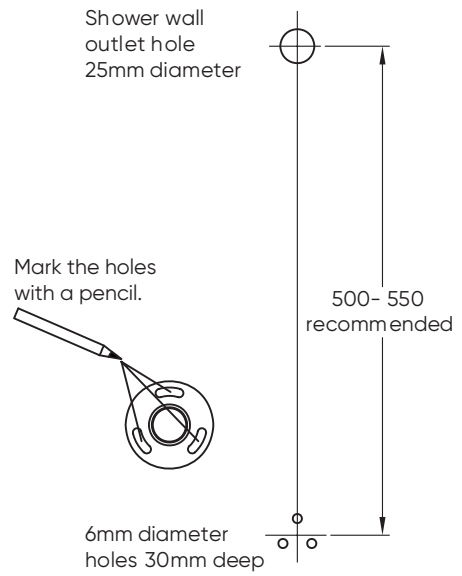
Important

Avoid cleaners that contain chemicals such as ammonia, and chlorine, including citrus based and cream cleaners. These types of cleaning products could adversely affect the finish of the tapware and should not be used.

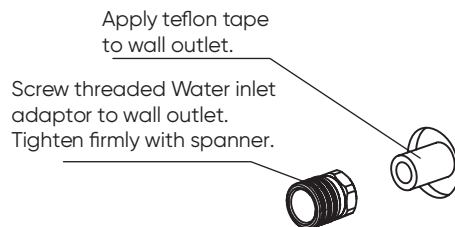
Instructions – Water inlet positioned at top of shower



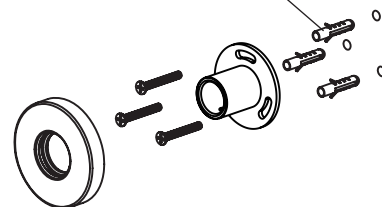
A



B

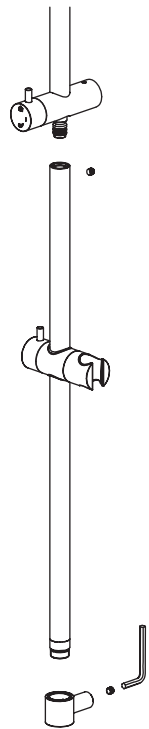


Push Plastic plugs into drilled holes. Locate Fixing plate over holes and firmly screw in place.



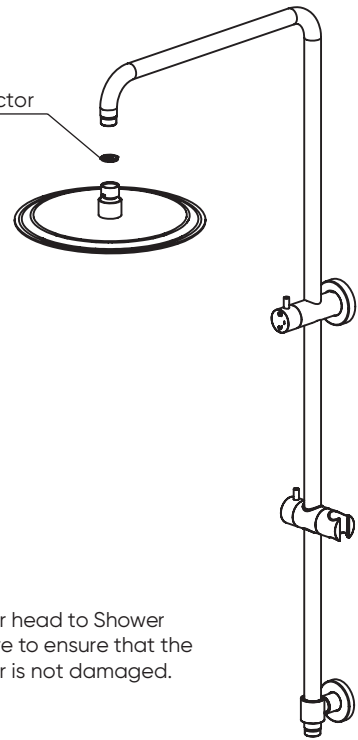
C

Fix Shower arm and Wall standoff on to Shower rail. Adjust Wall standoff position, making sure distance between Wall standoff and Water inlet is 500-550mm. Tighten Grub screws firmly with Allen key.



E

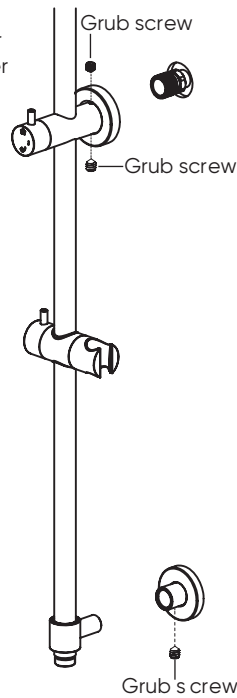
Flow restrictor



Screw Shower head to Shower arm. Take care to ensure that the Flow restrictor is not damaged.

D

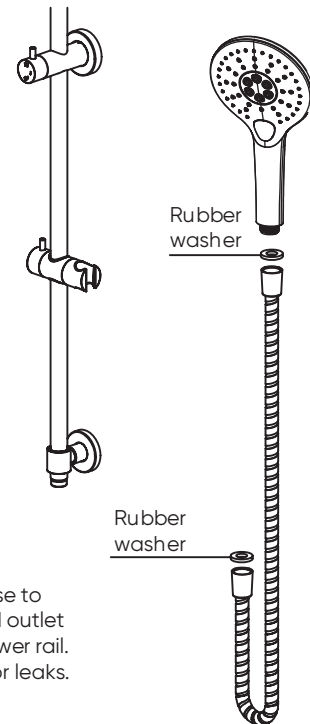
Locate and push Shower rail assembly on to Water inlet adaptor and Fixing plate. Tighten Grub screws firmly with Allen key.



F

Rubber washer

Rubber washer



Screw Shower hose to Hand shower and outlet at bottom of Shower rail. Test and check for leaks.