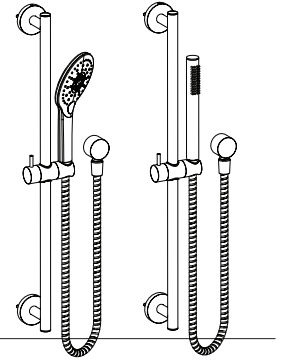


# Rail Shower

## Anson Rail Shower & Edge Rail Shower

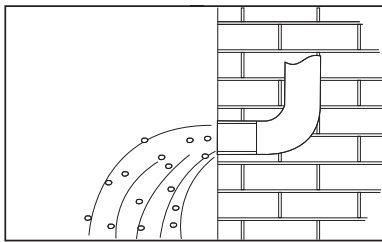


*Please read these instructions in full before starting installation.*

### Important Safety Notes

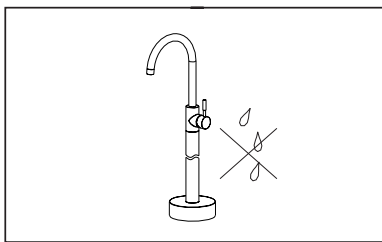
Tapware must be installed by a licensed plumber in accordance with:

- Recommended working water supply pressure: 150-500 kPa
- Maximum hot water temperature – 75°C
- Australian standard AS3500.1 or relevant local authority requirements



Before installation flush out all pipework and ensure it is clean and clear.

Ensure that the output pressure of cold and hot water meets the tap requirements.



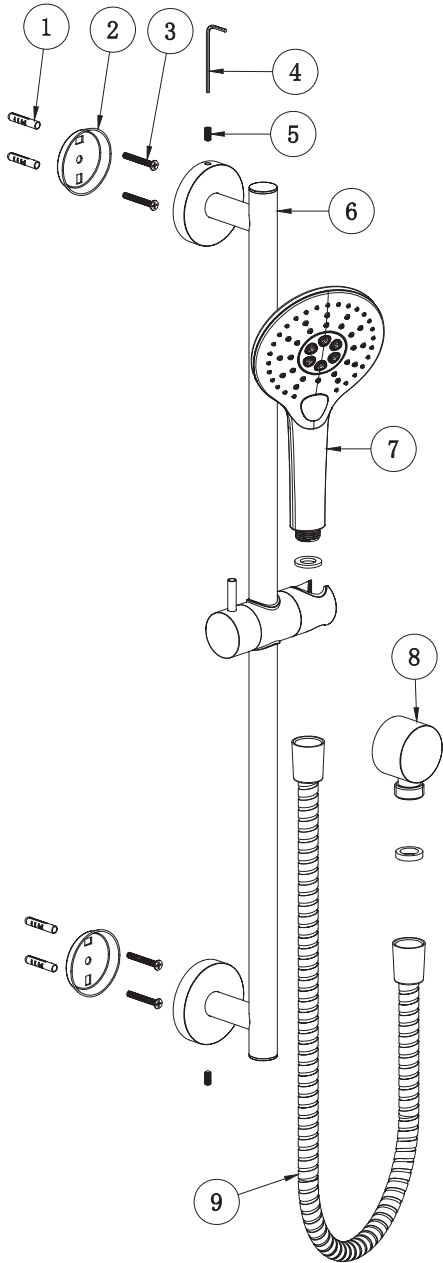
After installation, test all connections for leaks.

### Care of your Tapware

This guide applies to all finishes. Clean your tapware with mild soap and warm water. Wipe the surface dry with a clean soft cloth.

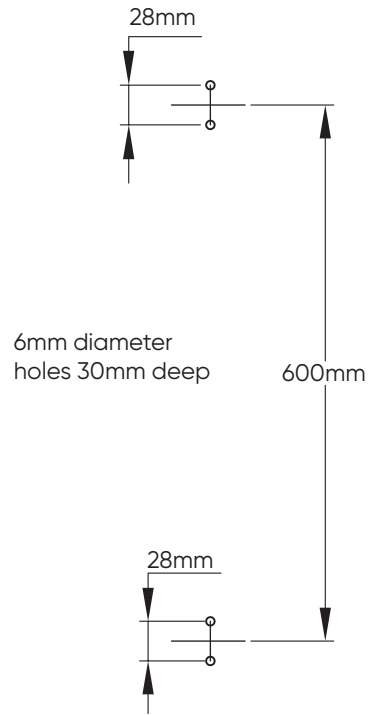
#### Important

Avoid cleaners that contain chemicals such as ammonia, and chlorine, including citrus based and cream cleaners. These types of cleaning products could adversely affect the finish of the tapware and should not be used.

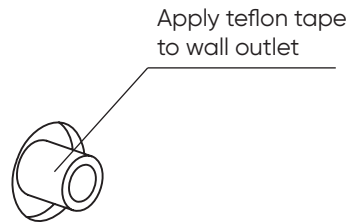


- 1 Plastic plug, 4 pieces
- 2 Fixing plate, 2 pieces
- 3 Fixing screw, 4 pieces
- 4 Allen key
- 5 Grub screw, 2 pieces
- 6 Shower rail
- 7 Hand shower
- 8 Wall union
- 9 Shower hose

**A**

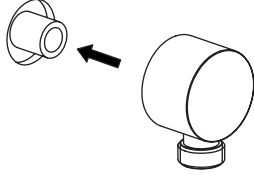


**B**



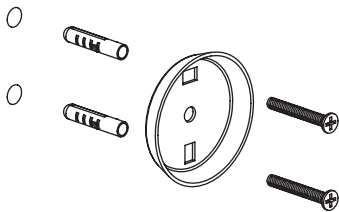
C

Screw the wall union on to wall outlet.



D

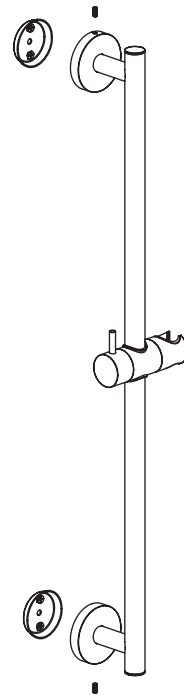
For fixing to brick walls with hard plaster or ceramic tiled surface. Using 6mm masonry drill bit, drill two holes 30mm deep. Press plastic plugs into holes.



Place fixing plate in position. Insert screws and tighten firmly with fixing screws.

E

Place shower rail over fixing plates and tighten grub screws firmly with allen key.



F

Screw hose into wall union and hand shower.

