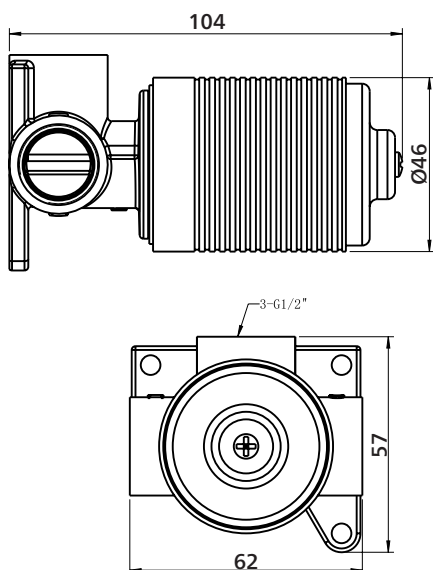


# Inwall Body for Wall Mixers

BLACK  
Standard



GREEN  
For Anson Up only



## Inwall body for wall mixers Two types: Standard and Pin Up

### Product features

- Inwall Body and Trim Kit available separately
- Durable, high quality materials
- Lead free stainless steel

### Product details

CARTRIDGE	Ceramic cartridge, 35mm.
MATERIAL	Solid stainless steel 304 construction, lead free.

### Ratings and installation

PRESSURE	150 – 500kPa.
TEMPERATURE	Maximum water temperature 75°C.
INSTALLATION	Must be installed by a licensed plumber.

### Order codes

**INWALL BODY (Std) for Anson/Enna/Edge/Anson Care – BLACK**  
193670 Inwall Body for Wall Mixers (Standard)

**INWALL BODY for Anson Up only – GREEN**

193671 Inwall Body for Pin Up Wall Mixer (for Anson Up only)



**SEIMA**  
kitchen + laundry + bathroom ware

seima.com.au

#### Please note

- All measurements are in millimetres.
- Use the actual product to verify installation details.
- Specifications may vary without notice as part of our continuous improvement practices.
- Clean with a damp cloth. Do not use abrasive cleaners, liquids or pastes.