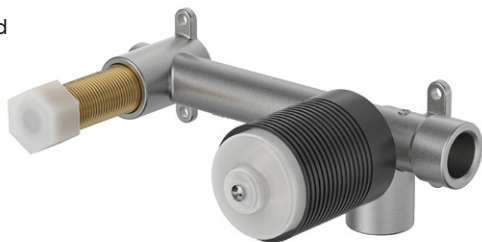
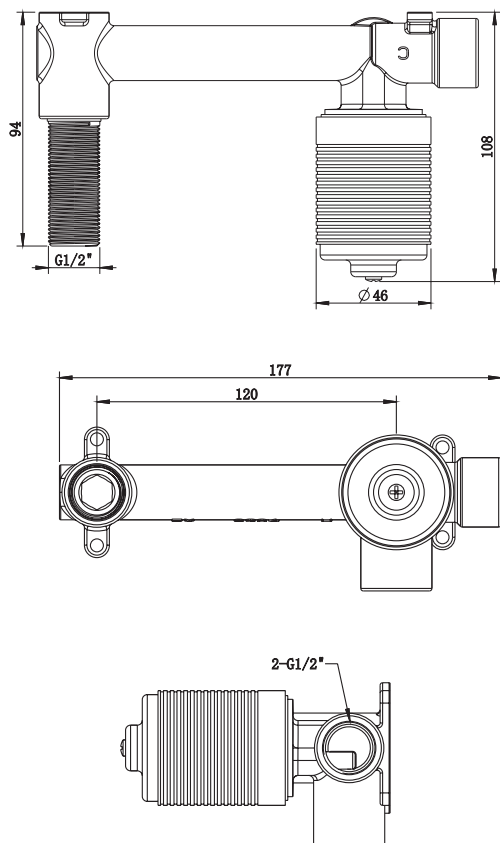


Inwall Body for Wall Mixer and Spout Set

BLACK
Standard



GREEN
For Anson Up only



Inwall body for wall mixer and spout set Two types: Standard/Pin Up

Product features

- Inwall Body and Trim Kit available separately
- Durable, high quality materials
- Lead free stainless steel

Product details

CARTRIDGE	Ceramic cartridge, 35mm.
MATERIAL	Solid stainless steel 304 construction, lead free.

Ratings and installation

PRESSURE	150 – 500kPa.
TEMPERATURE	Maximum water temperature 75°C.
INSTALLATION	Must be installed by a licensed plumber.

Order codes

INWALL BODY (Std) for Anson/Enna/Edge/Anson Care – BLACK
193852 Inwall Body for Wall Mixer and Spout Set (Standard)

INWALL BODY for Anson Up only – GREEN
193853 Inwall Body for Pin Up Wall Mixer and Spout Set
(for Anson Up only)



SEIMA

kitchen + laundry + bathroom ware

seima.com.au

Please note

- All measurements are in millimetres.
- Use the actual product to verify installation details.
- Specifications may vary without notice as part of our continuous improvement practices.
- Clean with a damp cloth. Do not use abrasive cleaners, liquids or pastes.