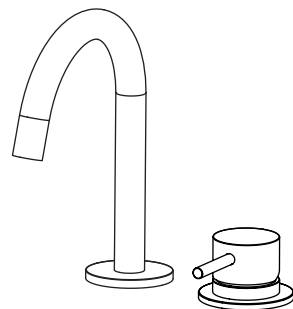


Hob Mixer Set



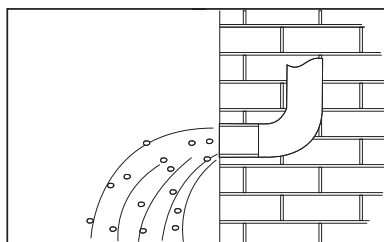
Anson Pin, Anson Pinless & Edge Hob Mixer Set

Please read these instructions in full before starting installation.

Important Safety Notes

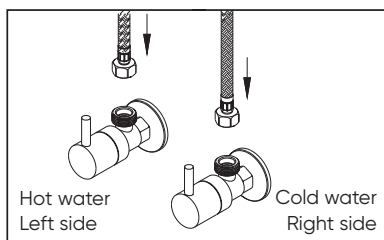
Tapware must be installed by a licensed plumber in accordance with:

- Recommended working water supply pressure: 150–500 kPa
- Maximum hot water temperature – 75°C
- Australian standard AS3500.1 or relevant local authority requirements

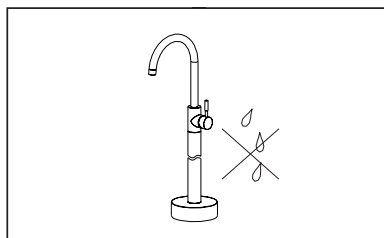


Before installation flush out all pipework and ensure it is clean and clear.

Ensure that the output pressure of cold and hot water meets the tap requirements.



Connect the stainless steel braided hose to the valves, ensuring that the hot water port is on the left valve and the cold water port is on the right valve.



After installation, test all connections for leaks.

Care of your Tapware

This guide applies to all finishes. Clean your tapware with mild soap and warm water. Wipe the surface dry with a clean soft cloth.

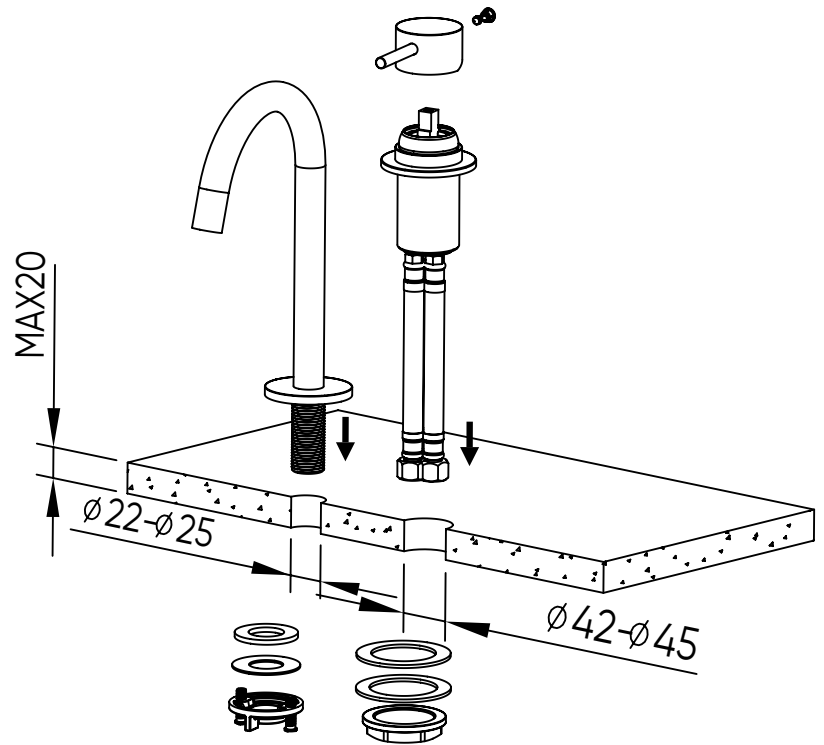
Important

Avoid cleaners that contain chemicals such as ammonia, and chlorine, including citrus based and cream cleaners. These types of cleaning products could adversely affect the finish of the tapware and should not be used.

Anson Pin, Anson Pinless & Edge Hob Mixer Set

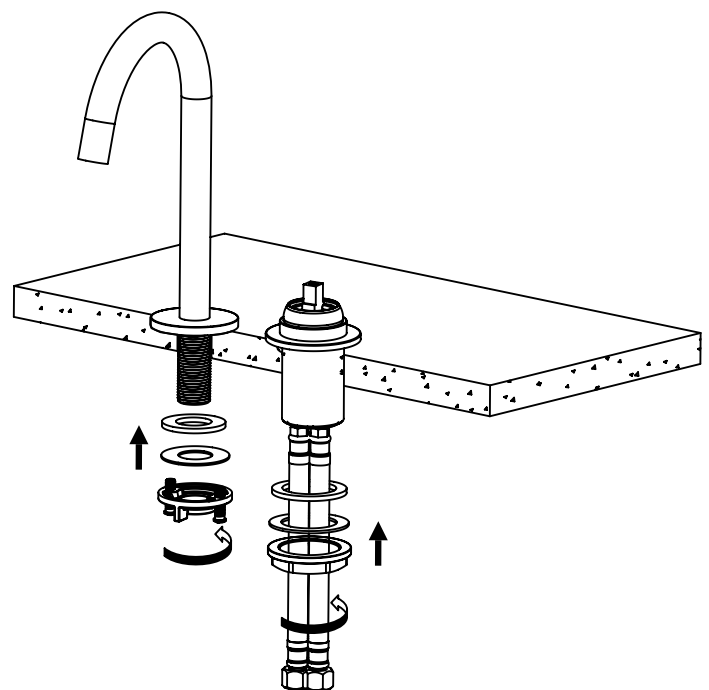
A

Insert the water outlet nozzle and mixing valve body into the hole.



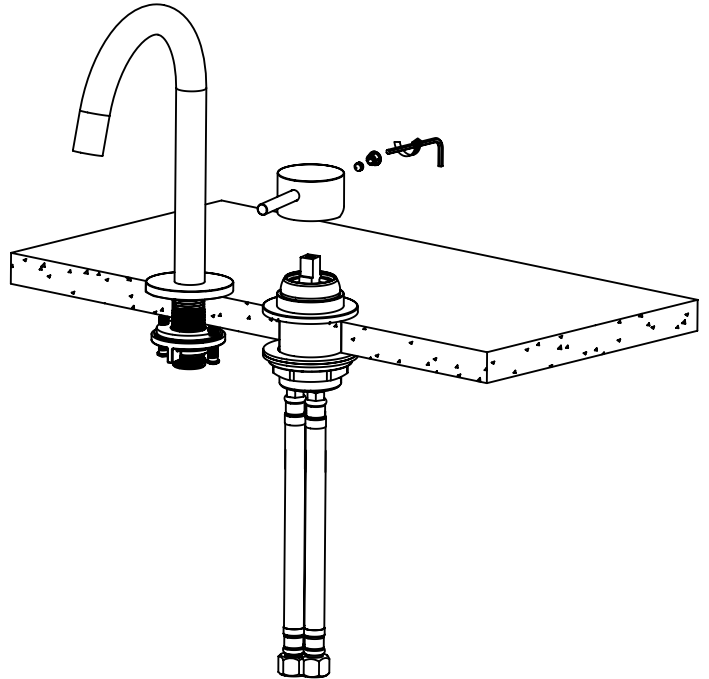
B

Place the rubber washer and steel washer in order, then tighten the nut.



C

Place the handle on the mixing valve body, tighten the screw, install the decorative cover.



D

Connect the cold and hot water pipes to the angle valve, Connect the outlet pipe to the water outlet nozzle, as shown. Open the valve to check for leakage.

