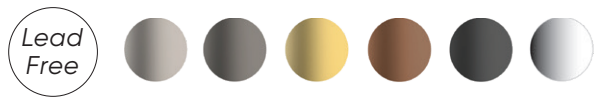


Enna Basin Mixer



Basin mixer with Enna pole handle

Product features

- Durable, high quality finishes
- Lead free stainless steel

Available in six finishes

- Brushed Stainless Steel
- Gunmetal, PVD
- Brushed Gold, PVD
- Brushed Bronze, PVD
- Black Matte, EPD
- Chrome

Product details

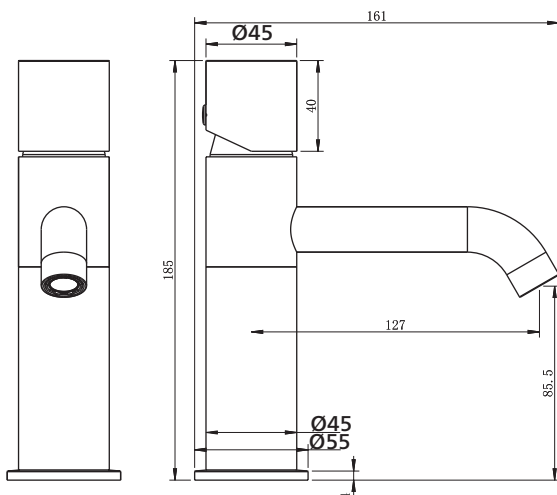
CARTRIDGE	Ceramic cartridge, 35mm.
MATERIAL	Solid stainless steel 304 construction, lead free.

Ratings and installation

WELS RATING	WELS 6 star, 4.5 litres/minute. Reg No TBA. WELS Licence 0296. WM Licence 27027.
PRESSURE	150 – 500kPa.
TEMPERATURE	Maximum water temperature 75°C.
INSTALLATION	Must be installed by a licensed plumber. Taphole: 35mm.

Order codes

193550	Enna Basin Mixer, Brushed SS
193554	Enna Basin Mixer, Gunmetal
193553	Enna Basin Mixer, Brushed Gold
193555	Enna Basin Mixer, Brushed Bronze
193552	Enna Basin Mixer, Black Matte
193551	Enna Basin Mixer, Chrome



SEIMA
kitchen + laundry + bathroom ware

seima.com.au

Please note

- All measurements are in millimetres.
- Use the actual product to verify installation details.
- Specifications may vary without notice as part of our continuous improvement practices.
- Clean with a damp cloth. Do not use abrasive cleaners, liquids or pastes.