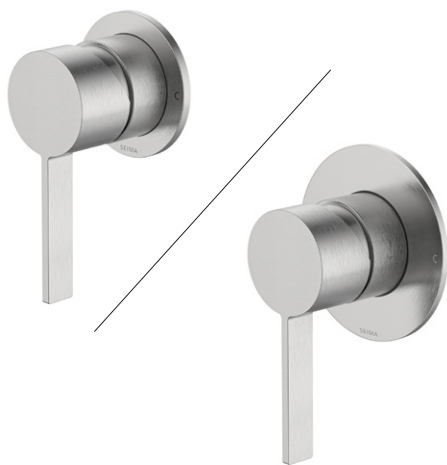
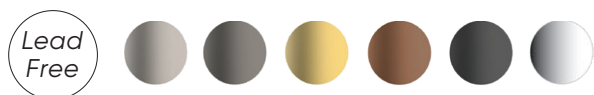
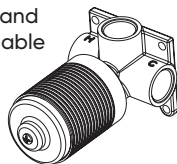


Edge Wall Mixer

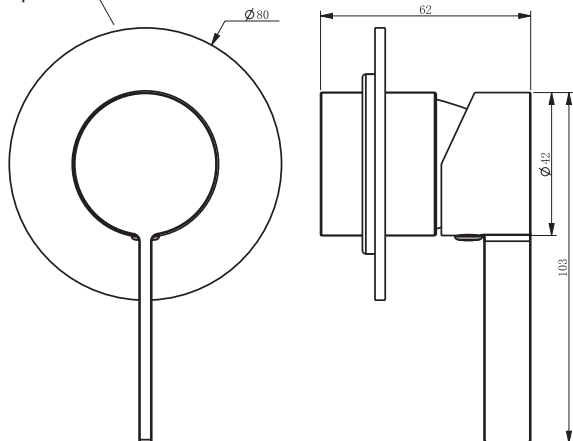


Choice of 60mm or 80mm backplate

Inwall body and trim kit available separately



60mm or 80mm backplate options



Wall mixer with Edge flat ribbon handle Choice of 60mm or 80mm backplate

Product features

- Inwall Body and Trim Kit available separately
- Durable, high quality finishes
- Lead free stainless steel

Available in six finishes

- Brushed Stainless Steel
- Gunmetal, PVD
- Brushed Gold, PVD
- Brushed Bronze, PVD
- Black Matte, EPD
- Chrome

Product details

CARTRIDGE	Ceramic cartridge, 35mm.
MATERIAL	Solid stainless steel 304 construction, lead free.

Ratings and installation

PRESSURE	150 – 500kPa.
TEMPERATURE	Maximum water temperature 75°C.
INSTALLATION	Must be installed by a licensed plumber. Taphole: 35mm.

Order codes

WHOLE SET – Wall Mixer Set – 60mm Plate

193628	Edge Wall Mixer Set, 60mm, Brushed SS
193632	Edge Wall Mixer Set, 60mm, Gunmetal
193631	Edge Wall Mixer Set, 60mm, Brushed Gold
193633	Edge Wall Mixer Set, 60mm, Brushed Bronze
193630	Edge Wall Mixer Set, 60mm, Black Matte
193629	Edge Wall Mixer Set, 60mm, Chrome

WHOLE SET – Wall Mixer Set – 80mm Plate

194088	Edge Wall Mixer Set, 80mm, Brushed SS
194092	Edge Wall Mixer Set, 80mm, Gunmetal
194091	Edge Wall Mixer Set, 80mm, Brushed Gold
194093	Edge Wall Mixer Set, 80mm, Brushed Bronze
194090	Edge Wall Mixer Set, 80mm, Black Matte
194089	Edge Wall Mixer Set, 80mm, Chrome

SEPARATE COMPONENTS

Inwall Bodies and Trim Kits are available separately. Use the relevant individual codes below to order.

INWALL BODY for Anson/Enna/Edge/Anson Care

193670	Inwall Body for Wall Mixer (Std)
--------	----------------------------------

TRIM KIT – 60mm Backplate (suits Edge)

193658	Edge Wall Mixer Trim Kit, 60mm, Brushed SS
193662	Edge Wall Mixer Trim Kit, 60mm, Gunmetal
193661	Edge Wall Mixer Trim Kit, 60mm, Brushed Gold
193663	Edge Wall Mixer Trim Kit, 60mm, Brushed Bronze
193660	Edge Wall Mixer Trim Kit, 60mm, Black Matte
193659	Edge Wall Mixer Trim Kit, 60mm, Chrome

TRIM KIT – 80mm Backplate (suits Edge)

194112	Edge Wall Mixer Trim Kit, 80mm, Brushed SS
194116	Edge Wall Mixer Trim Kit, 80mm, Gunmetal
194115	Edge Wall Mixer Trim Kit, 80mm, Brushed Gold
194117	Edge Wall Mixer Trim Kit, 80mm, Brushed Bronze
194114	Edge Wall Mixer Trim Kit, 80mm, Black Matte
194113	Edge Wall Mixer Trim Kit, 80mm, Chrome



SEIMA

kitchen + laundry + bathroom ware

seima.com.au

Please note

- All measurements are in millimetres.
- Use the actual product to verify installation details.
- Specifications may vary without notice as part of our continuous improvement practices.
- Clean with a damp cloth. Do not use abrasive cleaners, liquids or pastes.