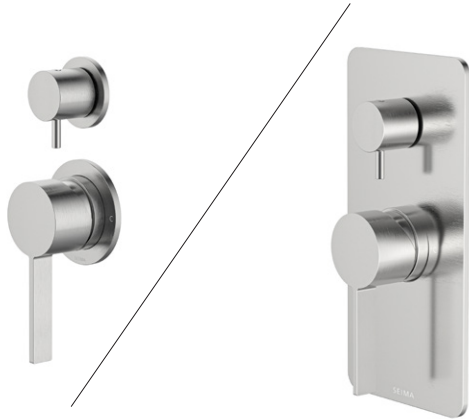
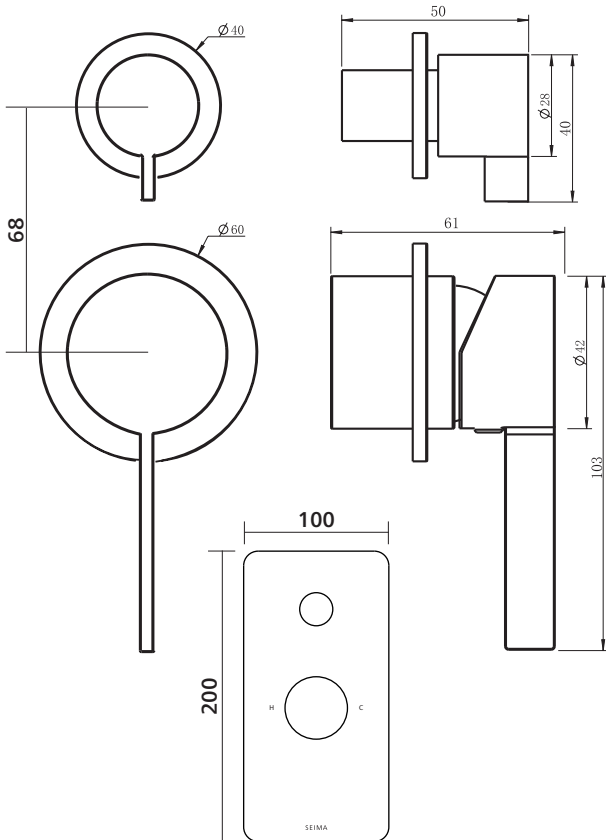
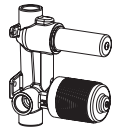


Edge Diverter Mixer



Choice of full plate or separate backplates

Inwall body and trim kit available separately



Diverter mixer with Edge flat ribbon handle Choice of separate backplates or full plate

Product features

- Inwall Body and Trim Kit available separately
- Durable, high quality finishes
- Lead free stainless steel

Available in six finishes

- Brushed Stainless Steel
- Gunmetal, PVD
- Brushed Gold, PVD
- Brushed Bronze, PVD
- Black Matte, EPD
- Chrome

Product details

CARTRIDGE Ceramic cartridge, 35mm. Diverter switch uses premium ceramic disc cartridge, allowing choice of outlet point.

MATERIAL Solid stainless steel 304 construction, lead free.

Ratings and installation

PRESSURE 150 – 500kPa.

TEMPERATURE Maximum water temperature 75°C.

INSTALLATION Must be installed by a licensed plumber. Taphole: 35mm.

Order codes

WHOLE SET – Diverter Set with Separate Backplates

- 193866 Edge Diverter Mixer Set, Sep Plates, Brushed SS
- 193870 Edge Diverter Mixer Set, Sep Plates, Gunmetal
- 193869 Edge Diverter Mixer Set, Sep Plates, Brushed Gold
- 193871 Edge Diverter Mixer Set, Sep Plates, Brushed Bronze
- 193868 Edge Diverter Mixer Set, Sep Plates, Black Matte
- 193867 Edge Diverter Mixer Set, Sep Plates, Chrome

WHOLE SET – Diverter Set with Full Backplate

- 194136 Edge Diverter Mixer Set, Full Plate, Brushed SS
- 194140 Edge Diverter Mixer Set, Full Plate, Gunmetal
- 194139 Edge Diverter Mixer Set, Full Plate, Brushed Gold
- 194141 Edge Diverter Mixer Set, Full Plate, Brushed Bronze
- 194138 Edge Diverter Mixer Set, Full Plate, Black Matte
- 194137 Edge Diverter Mixer Set, Full Plate, Chrome

SEPARATE COMPONENTS

Inwall Bodies and Trim Kits are available separately. Use the relevant individual codes below to order.

INWALL BODY

- 193902 Diverter Mixer Inwall Body (Universal)

TRIM KIT – Separate Backplates

- 193890 Edge Diverter Mixer Trim Kit, Sep Plates, Brushed SS
- 193894 Edge Diverter Mixer Trim Kit, Sep Plates, Gunmetal
- 193893 Edge Diverter Mixer Trim Kit, Sep Plates, Brushed Gold
- 193895 Edge Diverter Mixer Trim Kit, Sep Plates, Brushed Bronze
- 193892 Edge Diverter Mixer Trim Kit, Sep Plates, Black Matte
- 193891 Edge Diverter Mixer Trim Kit, Sep Plates, Chrome

TRIM KIT – Full Backplate

- 194160 Edge Diverter Mixer Trim Kit, Full Plate, Brushed SS
- 194164 Edge Diverter Mixer Trim Kit, Full Plate, Gunmetal
- 194163 Edge Diverter Mixer Trim Kit, Full Plate, Brushed Gold
- 194165 Edge Diverter Mixer Trim Kit, Full Plate, Br Bronze
- 194162 Edge Diverter Mixer Trim Kit, Full Plate, Black Matte
- 194161 Edge Diverter Mixer Trim Kit, Full Plate, Chrome



SEIMA

kitchen + laundry + bathroom ware

seima.com.au

Please note

- All measurements are in millimetres.
- Use the actual product to verify installation details.
- Specifications may vary without notice as part of our continuous improvement practices.
- Clean with a damp cloth. Do not use abrasive cleaners, liquids or pastes.