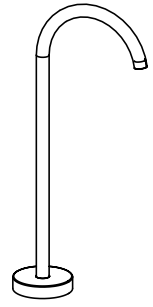


Bath Floor Spout

Anson Bath Floor Spout

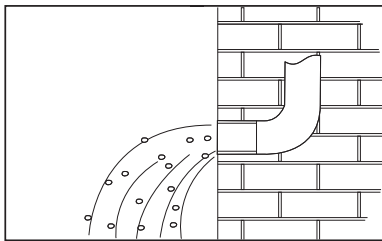


Please read these instructions in full before starting installation.

Important Safety Notes

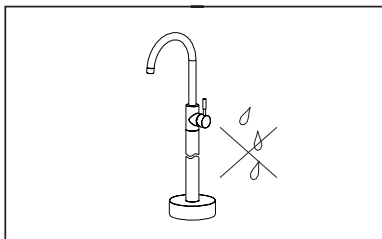
Tapware must be installed by a licensed plumber in accordance with:

- Recommended working water supply pressure: 150-500 kPa
- Maximum hot water temperature – 75°C
- Australian standard AS3500.1 or relevant local authority requirements



Before installation flush out all pipework and ensure it is clean and clear.

Ensure that the output pressure of cold and hot water meets the tap requirements.



After installation, test all connections for leaks.

Care of your Tapware

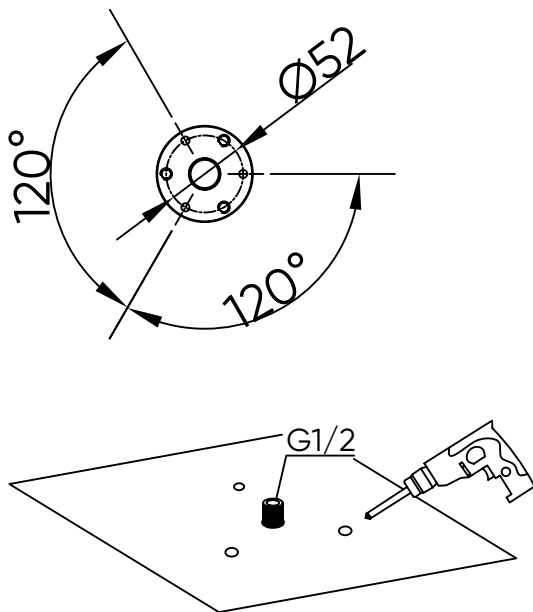
This guide applies to all finishes. Clean your tapware with mild soap and warm water. Wipe the surface dry with a clean soft cloth.

Important

Avoid cleaners that contain chemicals such as ammonia, and chlorine, including citrus based and cream cleaners. These types of cleaning products could adversely affect the finish of the tapware and should not be used.

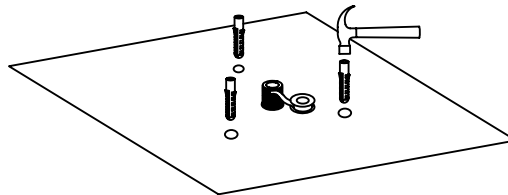
A

Drill hole in the floor.



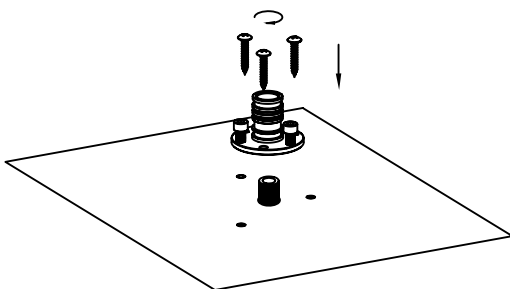
B

Insert the expansion plug into the hole.
Wrap teflon tape around the threaded water outlet connector.



C

Screw the fixing base onto the threaded water outlet connector. The gap no more than 1mm is allowed between the fixing base and the floor. Adjust the screws on the fixing base to make them fit tightly against the floor, then lock the fixing base with screws.



D

Insert the water outlet nozzle into the connector of the fixing base, then tighten the fixing screw.

