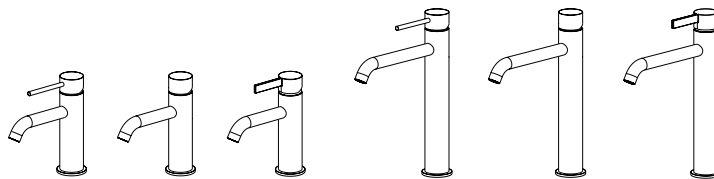


Basin Mixers & Tall Basin Mixers

Anson Pin, Anson Pinless & Edge
Basin Mixers & Tall Basin Mixers

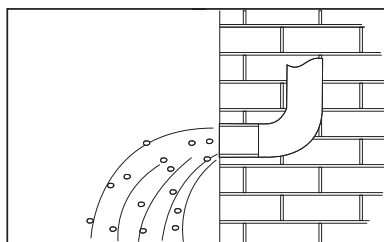


Please read these instructions in full before starting installation.

Important Safety Notes

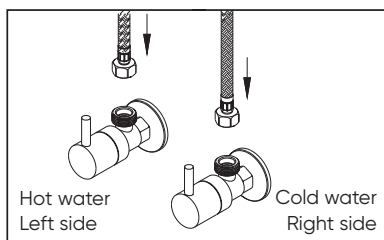
Tapware must be installed by a licensed plumber in accordance with:

- Recommended working water supply pressure: 150–500 kPa
- Maximum hot water temperature – 75°C
- Australian standard AS3500.1 or relevant local authority requirements

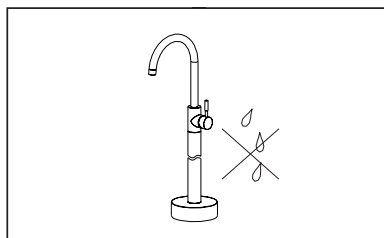


Before installation flush out all pipework and ensure it is clean and clear.

Ensure that the output pressure of cold and hot water meets the tap requirements.



Connect the stainless steel braided hose to the valves, ensuring that the hot water port is on the left valve and the cold water port is on the right valve.



After installation, test all connections for leaks.

Care of your Tapware

This guide applies to all finishes. Clean your tapware with mild soap and warm water. Wipe the surface dry with a clean soft cloth.

Important

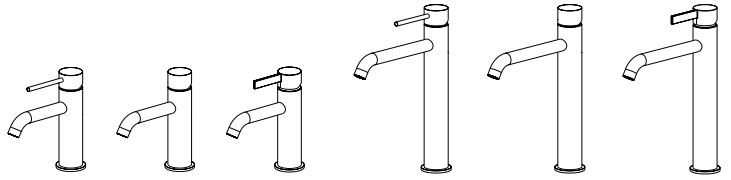
Avoid cleaners that contain chemicals such as ammonia, and chlorine, including citrus based and cream cleaners. These types of cleaning products could adversely affect the finish of the tapware and should not be used.

SEIMA

kitchen + laundry + bathroom ware

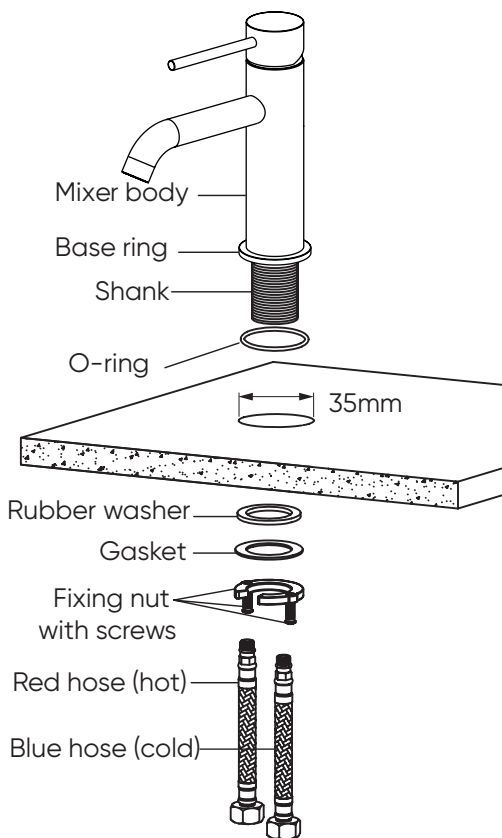
Installation Instructions for

Anson Pin, Anson Pinless & Edge Basin Mixers & Tall Basin Mixers



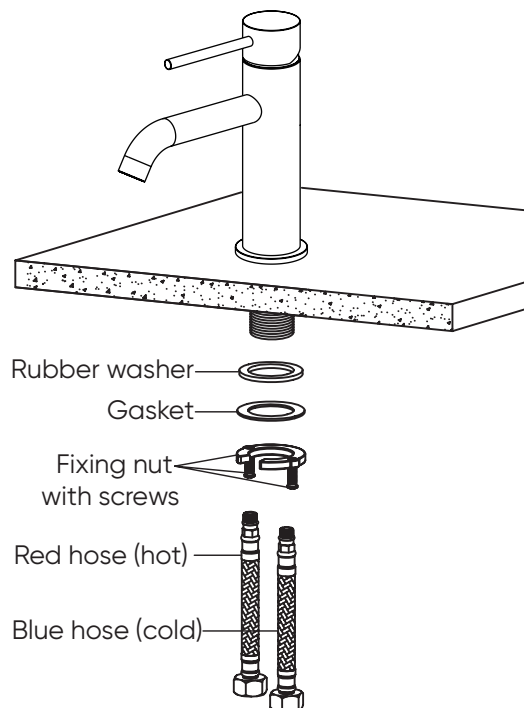
A

Fit Base ring on to Mixer body.



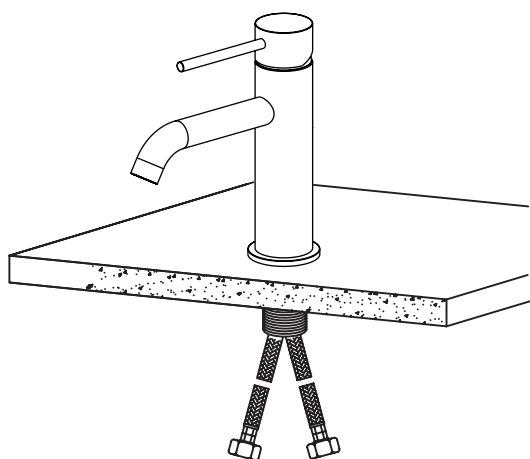
B

Fit the Rubber washer and Gasket on to Shank, Screw the Red hose (hot) into the hole with red marking. Screw the Blue hose (cold) into the hole with blue marking.



C

Firmly fasten the Fixing nut to secure mixer and tighten screws.



D

Connect hoses to the water supply. Test and check for leaks.

