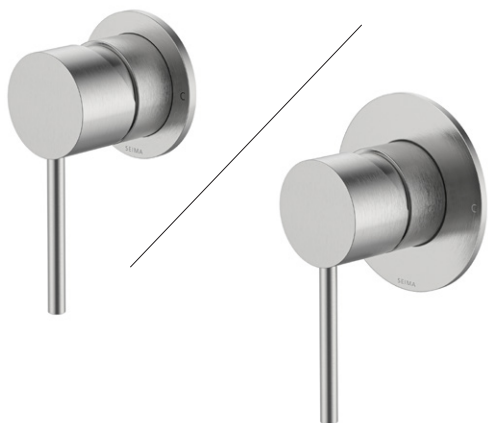
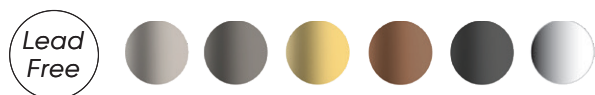
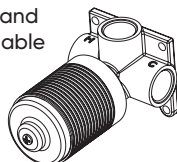


Anson Wall Mixer

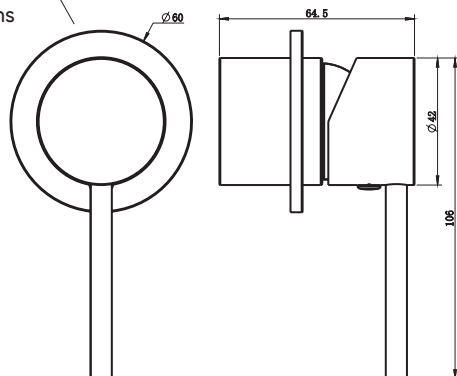


Choice of 60mm or 80mm backplate

Inwall body and trim kit available separately



60mm or 80mm backplate options



Wall mixer with Anson pin handle Choice of 60mm or 80mm backplate

Product features

- Inwall Body and Trim Kit available separately
- Durable, high quality finishes
- Lead free stainless steel

Available in six finishes

- Brushed Stainless Steel
- Gunmetal, PVD
- Brushed Gold, PVD
- Brushed Bronze, PVD
- Black Matte, EPD
- Chrome

Product details

CARTRIDGE	Ceramic cartridge, 35mm.
MATERIAL	Solid stainless steel 304 construction, lead free.

Ratings and installation

PRESSURE	150 – 500kPa.
TEMPERATURE	Maximum water temperature 75°C.
INSTALLATION	Must be installed by a licensed plumber. Taphole: 35mm.

Order codes

WHOLE SET – Wall Mixer Set – 60mm Plate

193610	Anson Wall Mixer Set, 60mm, Brushed SS
193614	Anson Wall Mixer Set, 60mm, Gunmetal
193613	Anson Wall Mixer Set, 60mm, Brushed Gold
193615	Anson Wall Mixer Set, 60mm, Brushed Bronze
193612	Anson Wall Mixer Set, 60mm, Black Matte
193611	Anson Wall Mixer Set, 60mm, Chrome

WHOLE SET – Wall Mixer Set – 80mm Plate

194070	Anson Wall Mixer Set, 80mm, Brushed SS
194074	Anson Wall Mixer Set, 80mm, Gunmetal
194073	Anson Wall Mixer Set, 80mm, Brushed Gold
194075	Anson Wall Mixer Set, 80mm, Brushed Bronze
194072	Anson Wall Mixer Set, 80mm, Black Matte
194071	Anson Wall Mixer Set, 80mm, Chrome

SEPARATE COMPONENTS

Inwall Bodies and Trim Kits are available separately. Use the relevant individual codes below to order.

INWALL BODY for Anson/Enna/Edge/Anson Care

193670	Inwall Body for Wall Mixer (Std)
--------	----------------------------------

TRIM KIT – 60mm Backplate (suits Anson/Anson Up)

193640	Anson Wall Mixer Trim Kit, 60mm, Brushed SS
193644	Anson Wall Mixer Trim Kit, 60mm, Gunmetal
193643	Anson Wall Mixer Trim Kit, 60mm, Brushed Gold
193645	Anson Wall Mixer Trim Kit, 60mm, Brushed Bronze
193642	Anson Wall Mixer Trim Kit, 60mm, Black Matte
193641	Anson Wall Mixer Trim Kit, 60mm, Chrome

TRIM KIT – 80mm Backplate (suits Anson/Anson Up)

194100	Anson Wall Mixer Trim Kit, 80mm, Brushed SS
194104	Anson Wall Mixer Trim Kit, 80mm, Gunmetal
194103	Anson Wall Mixer Trim Kit, 80mm, Brushed Gold
194105	Anson Wall Mixer Trim Kit, 80mm, Brushed Bronze
194102	Anson Wall Mixer Trim Kit, 80mm, Black Matte
194101	Anson Wall Mixer Trim Kit, 80mm, Chrome



SEIMA

kitchen + laundry + bathroom ware

seima.com.au

Please note

- All measurements are in millimetres.
- Use the actual product to verify installation details.
- Specifications may vary without notice as part of our continuous improvement practices.
- Clean with a damp cloth. Do not use abrasive cleaners, liquids or pastes.