

Anson Care Tall Basin Mixer

Lead Free



Tall basin mixer with Anson Care extended pin handle

Product features

- Durable, high quality finishes
- Lead free stainless steel

Available in six finishes

- Brushed Stainless Steel
- Gunmetal, PVD
- Brushed Gold, PVD
- Brushed Bronze, PVD
- Black Matte, EPD
- Chrome

Product details

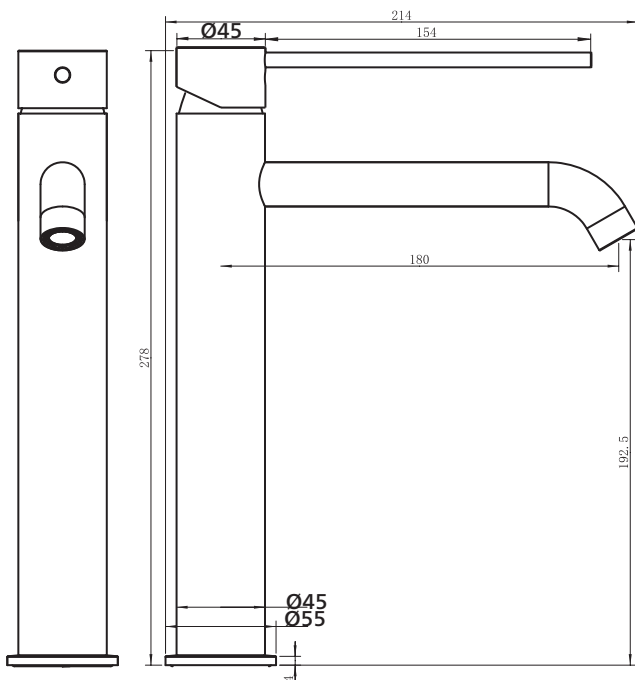
CARTRIDGE	Ceramic cartridge, 35mm.
MATERIAL	Solid stainless steel 304 construction, lead free.

Ratings and installation

WELS RATING	WELS 6 star, 4.5 litres/minute. Reg No TBA. WELS Licence 0296. WM Licence 27027.
PRESSURE	150 – 500kPa.
TEMPERATURE	Maximum water temperature 75°C.
INSTALLATION	Must be installed by a licensed plumber. Taphole: 35mm.

Order codes

193586	Anson Care Tall Basin Mixer, Brushed SS
193590	Anson Care Tall Basin Mixer, Gunmetal
193589	Anson Care Tall Basin Mixer, Brushed Gold
193591	Anson Care Tall Basin Mixer, Brushed Bronze
193588	Anson Care Tall Basin Mixer, Black Matte
193587	Anson Care Tall Basin Mixer, Chrome



SEIMA

kitchen + laundry + bathroom ware

seima.com.au

Please note

- All measurements are in millimetres.
- Use the actual product to verify installation details.
- Specifications may vary without notice as part of our continuous improvement practices.
- Clean with a damp cloth. Do not use abrasive cleaners, liquids or pastes.