

# Anson Care Basin Mixer

Lead Free



## Basin mixer with Anson Care extended pin handle

### Product features

- Durable, high quality finishes
- Lead free stainless steel

### Available in six finishes

- Brushed Stainless Steel
- Gunmetal, PVD
- Brushed Gold, PVD
- Brushed Bronze, PVD
- Black Matte, EPD
- Chrome

### Product details

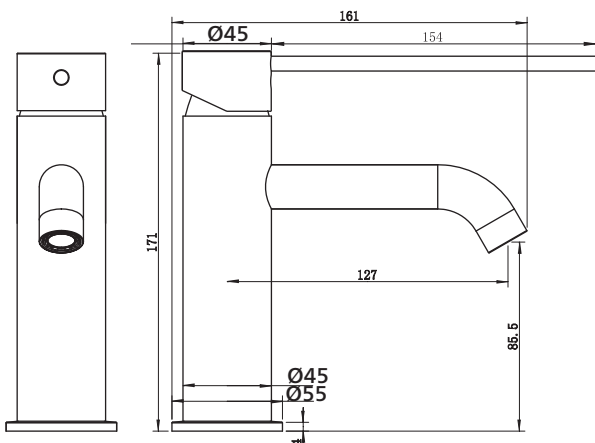
|           |  |
|-----------|--|
| CARTRIDGE | Ceramic cartridge, 35mm.                           |
| MATERIAL  | Solid stainless steel 304 construction, lead free. |

### Ratings and installation

|              |  |
|--------------|--|
| WELS RATING  | WELS 6 star, 4.5 litres/minute. Reg No TBA. WELS Licence 0296. WM Licence 27027. |
| PRESSURE     | 150 – 500kPa.  |
| TEMPERATURE  | Maximum water temperature 75°C.  |
| INSTALLATION | Must be installed by a licensed plumber. Taphole: 35mm.                          |

### Order codes

|        |  |
|--------|--|
| 193562 | Anson Care Basin Mixer, Brushed SS     |
| 193566 | Anson Care Basin Mixer, Gunmetal       |
| 193565 | Anson Care Basin Mixer, Brushed Gold   |
| 193567 | Anson Care Basin Mixer, Brushed Bronze |
| 193564 | Anson Care Basin Mixer, Black Matte    |
| 193563 | Anson Care Basin Mixer, Chrome         |



**SEIMA**  
kitchen + laundry + bathroom ware

seima.com.au

#### Please note

- All measurements are in millimetres.
- Use the actual product to verify installation details.
- Specifications may vary without notice as part of our continuous improvement practices.
- Clean with a damp cloth. Do not use abrasive cleaners, liquids or pastes.