

## Installation Guide

# Anson Bathroom Accessories

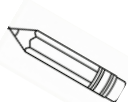
Please read these instructions before starting installation.

### Universal 4-point mounting plate

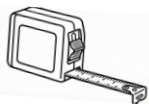
All items use a common 4-point mounting plate, for stability and easy installation. Items may have one single mounting plate (eg for toilet roll holder) or two mounting plates (eg for towel rails).

### Tools needed for installation

Mounting plates are fixed in place using screws provided. Installation will require access to the following tools:



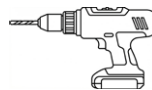
Pencil



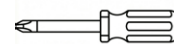
Measuring tape



Levelling tool



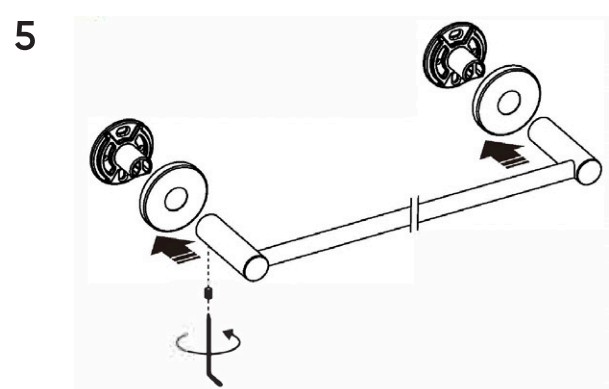
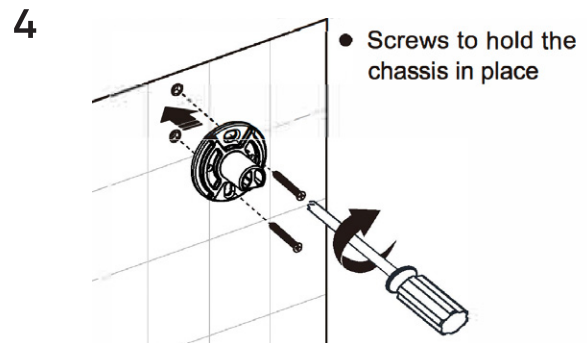
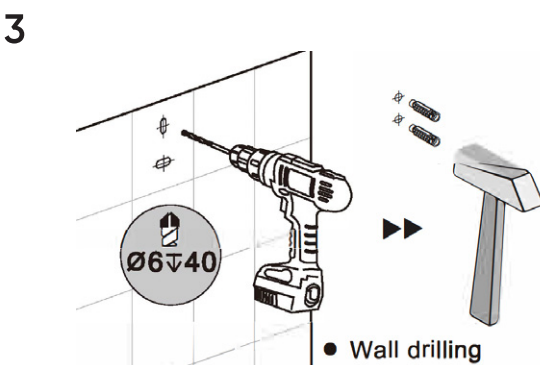
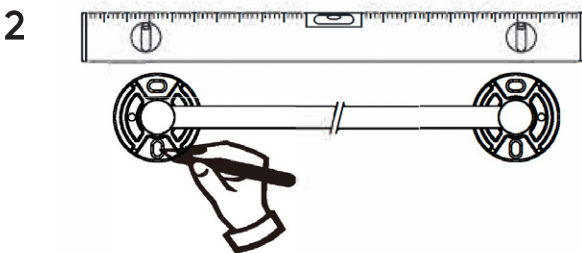
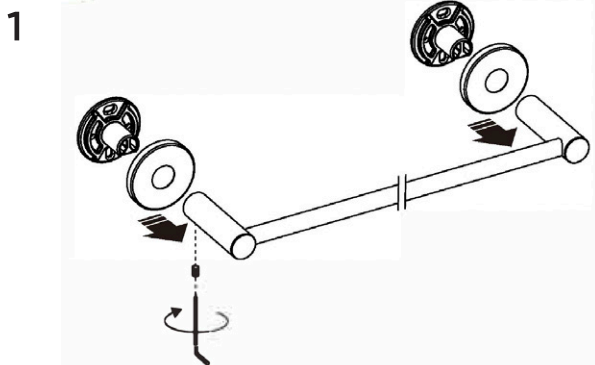
Drill



Screwdriver



Hammer



### Care of your Bathroom Accessories

Clean your bathroom accessories with mild soap and warm water. Wipe the surface dry with a clean soft cloth. **Important:** Avoid cleaners that contain chemicals such as ammonia, and chlorine, including citrus based and cream cleaners. These types of cleaning products could adversely affect the finish of the product and should not be used.

anson-bathrm-acc-in | 01-26 | v 1.0

# SEIMA

kitchen + laundry + bathroom ware

seima.com.au