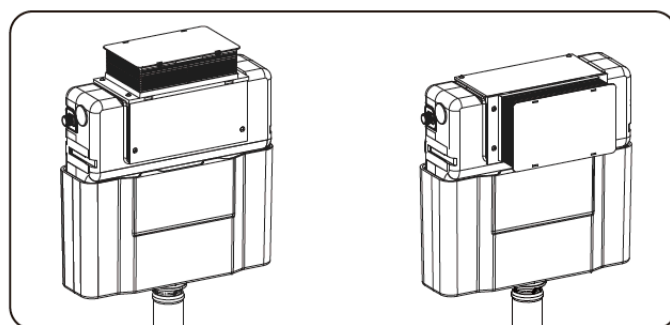
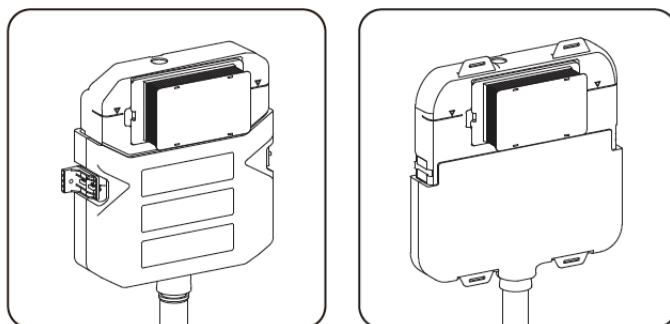
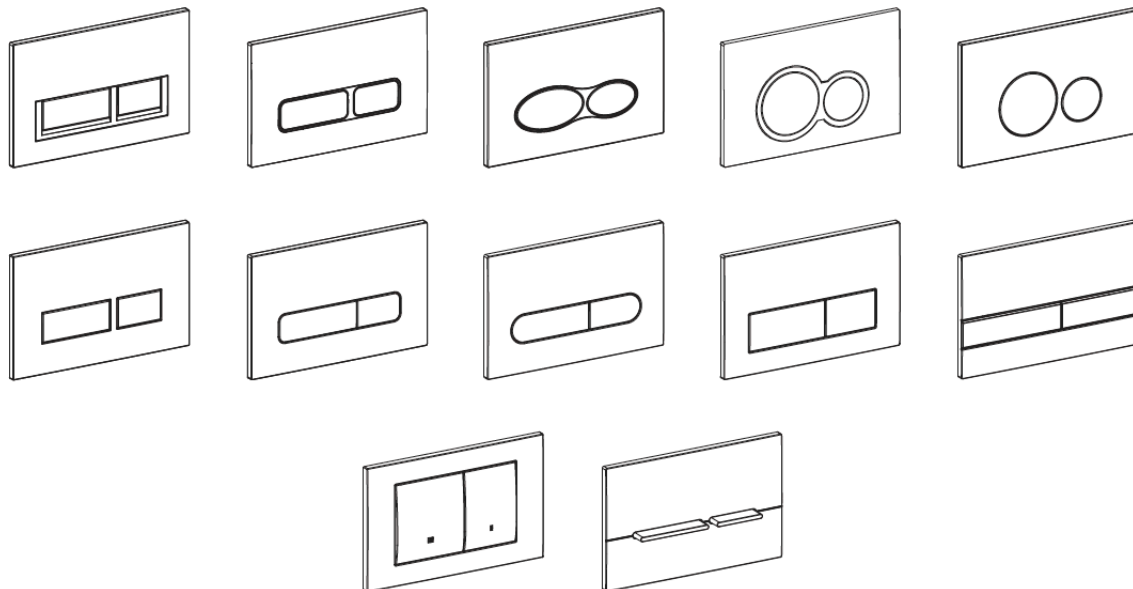


Flush Plate 500M/700M/800M

Mechanical Actuation



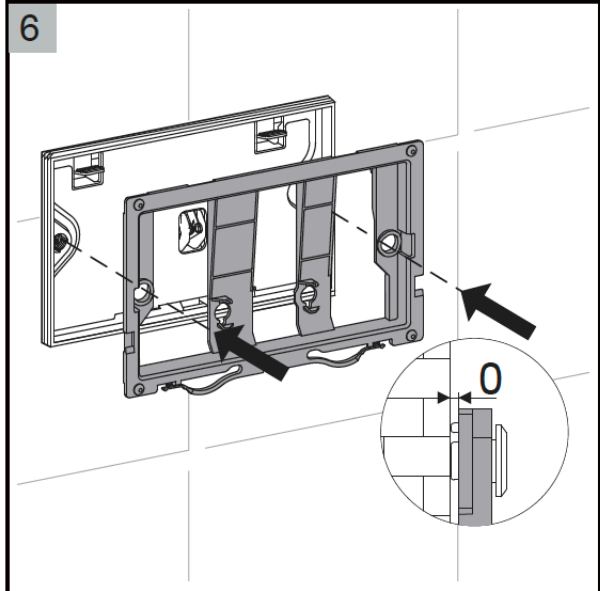
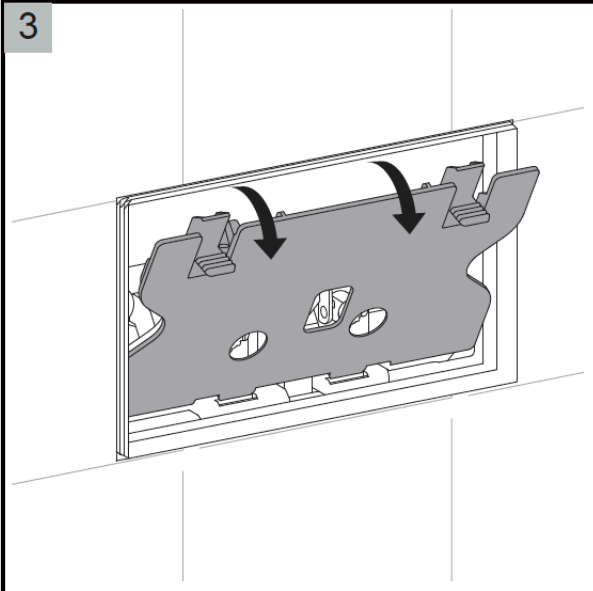
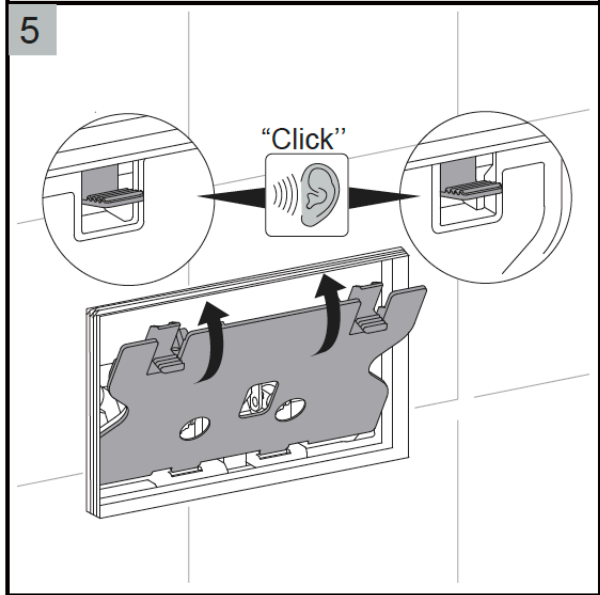
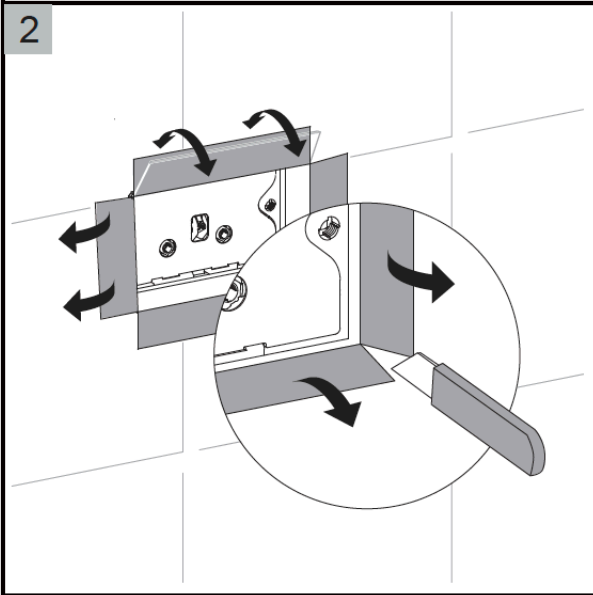
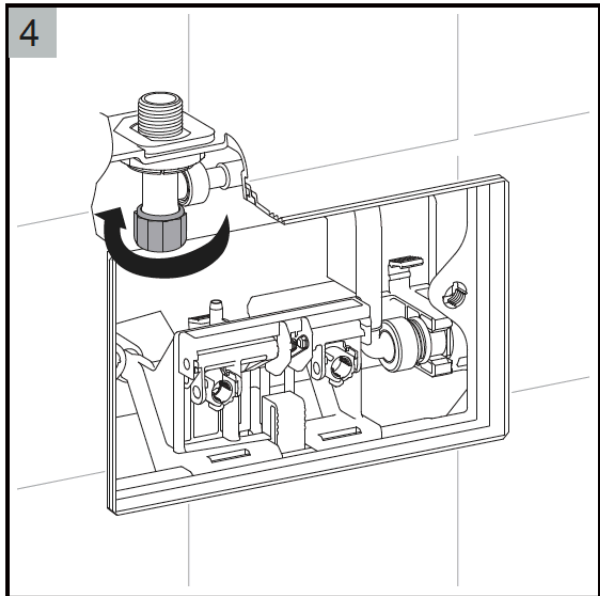
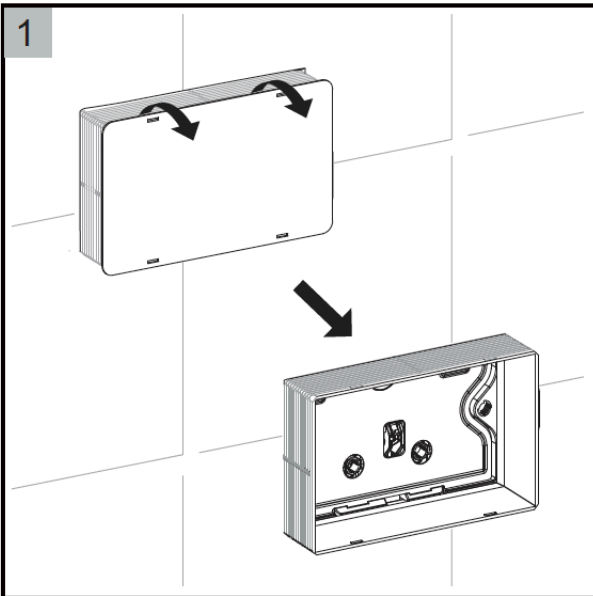
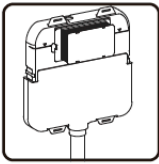
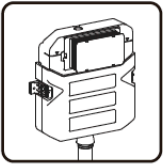
SEIMA

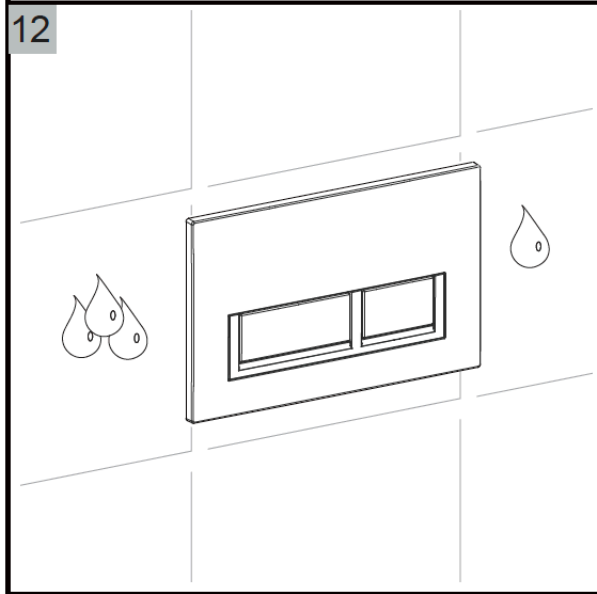
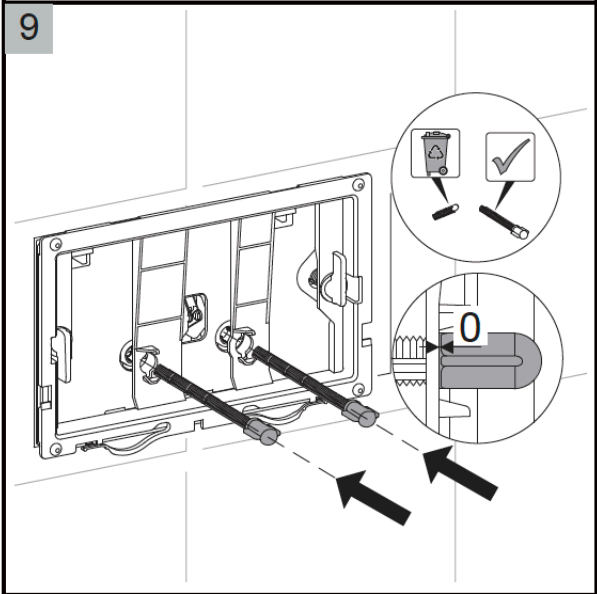
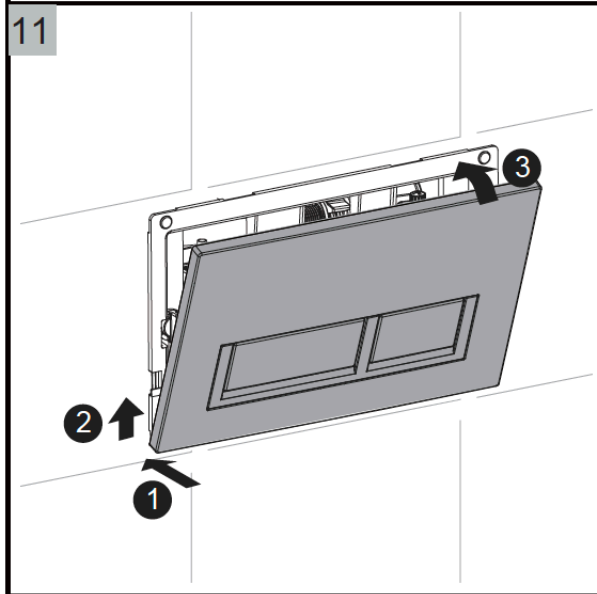
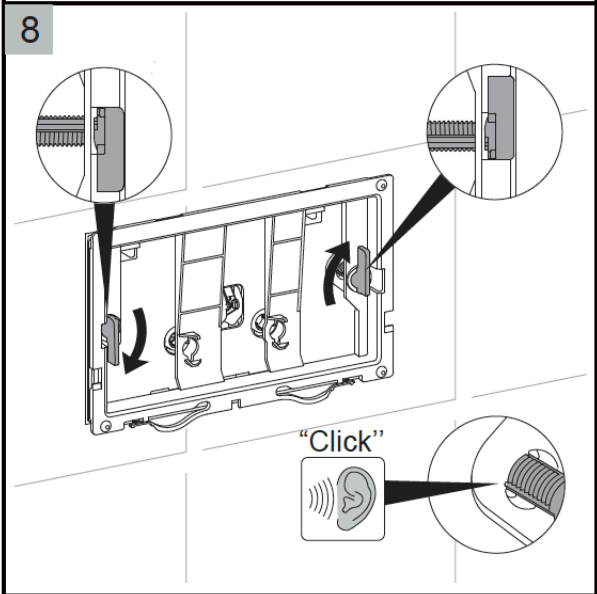
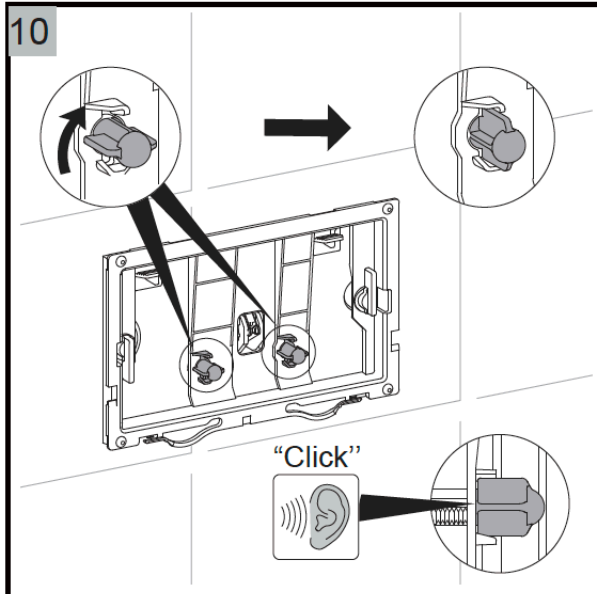
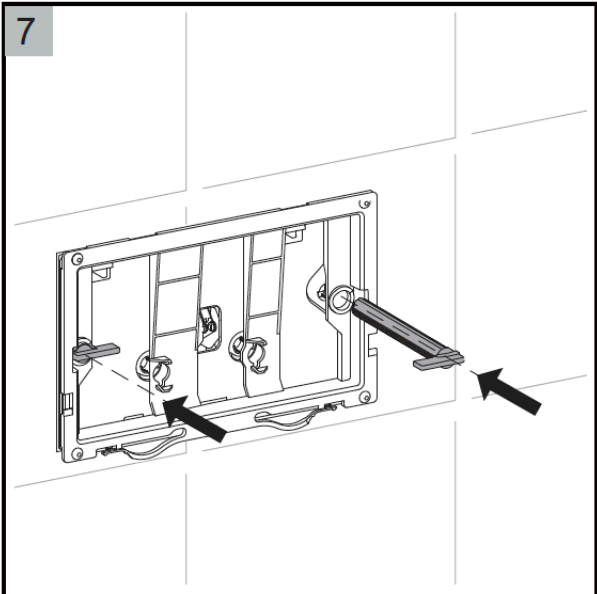
kitchen + laundry + bathroom ware

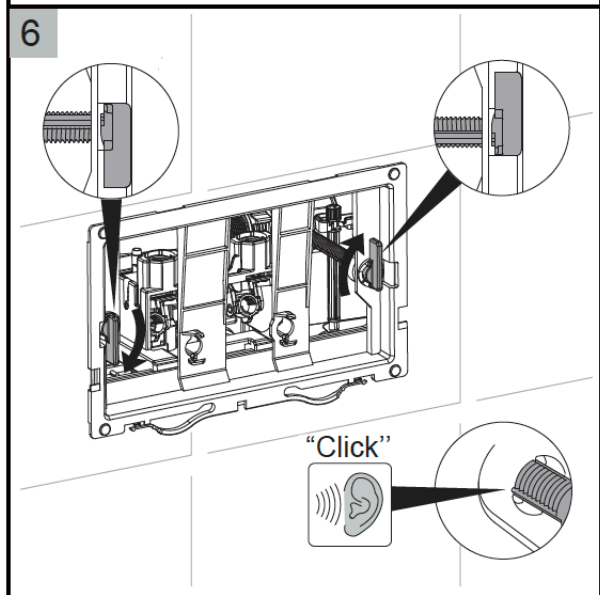
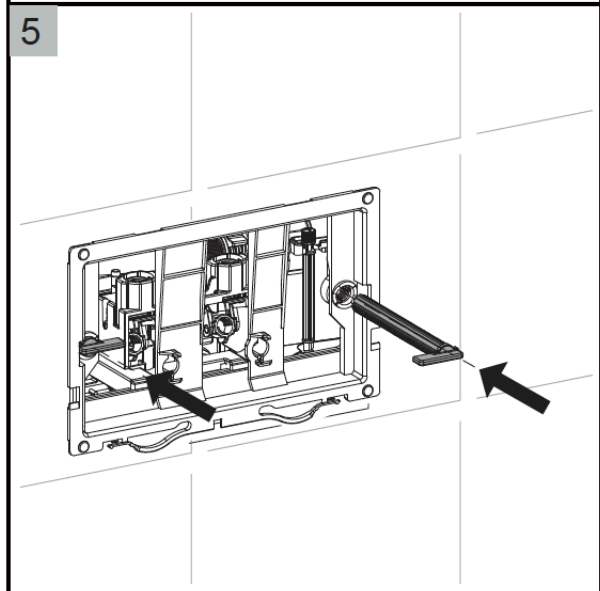
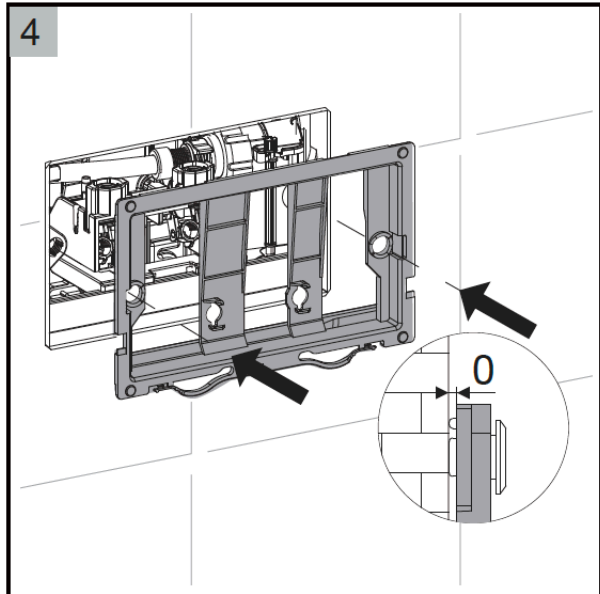
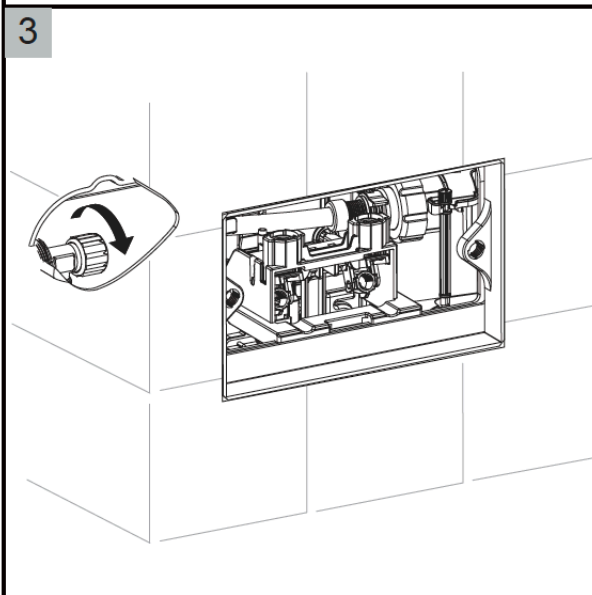
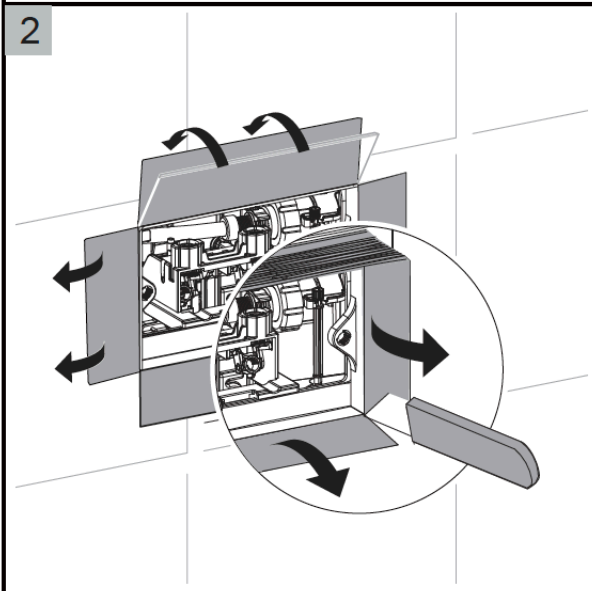
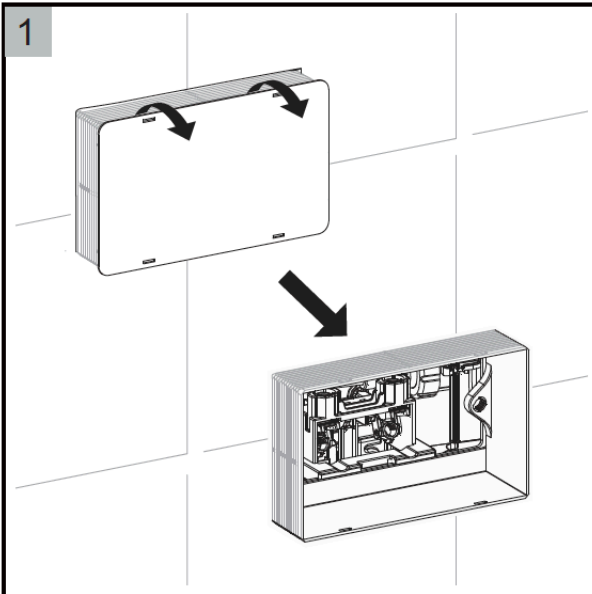
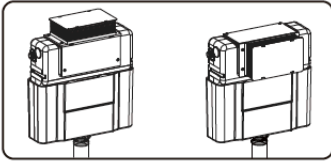
seima.com.au

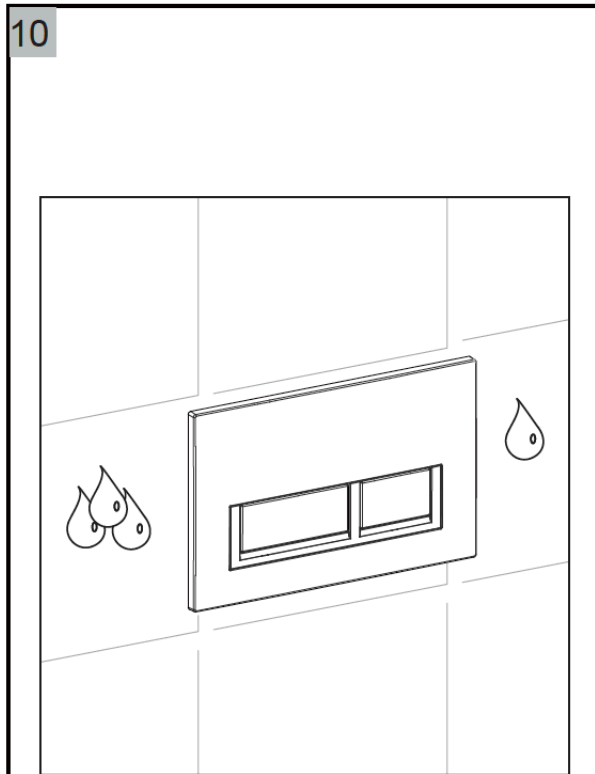
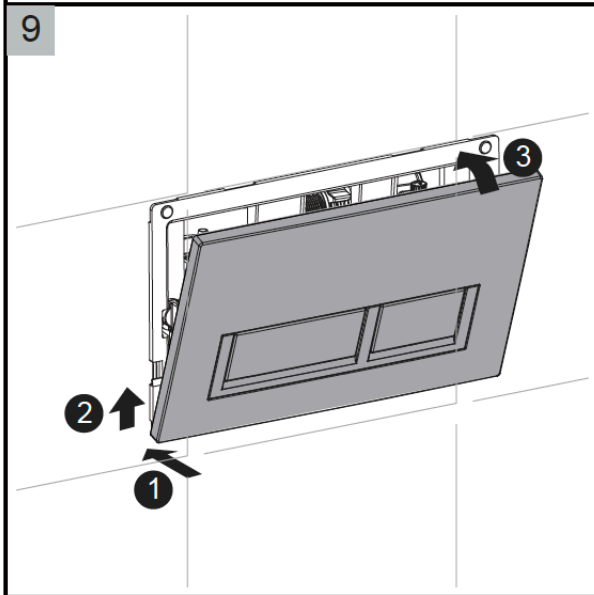
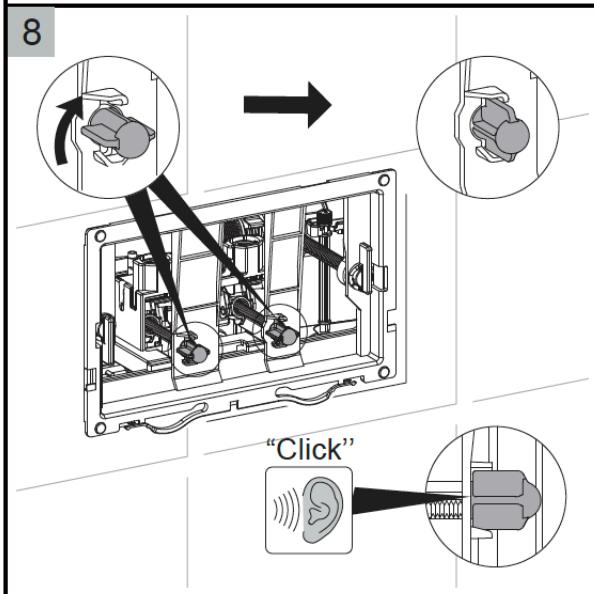
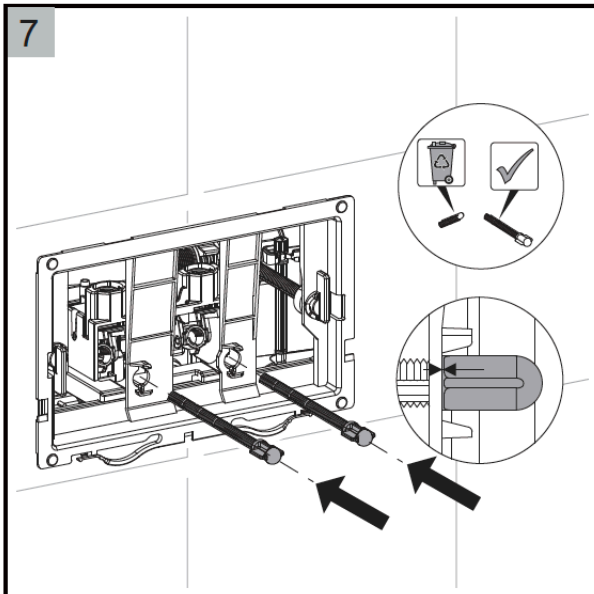
Please note

- Installation shall be in accordance with AS/NZS3500.
- All measurements are in millimetres.
- Do not use epoxy type adhesives.
- Specifications may vary without notice as part of our continuous improvement practices.
- Clean with a damp cloth. Do not use abrasive cleaners, liquids or pastes.









or

