

Avida Sink Mixer



Lead Free



Swivel sink mixer – Lead free

Product features

- Swivel spout
- Durable, high quality finishes
- Lead free stainless steel

Available in 6 finishes

- Brushed Stainless Steel
- Gunmetal, PVD
- Brushed Gold, PVD
- Brushed Bronze, PVD
- Black Matte, EPD
- Chrome

Product details

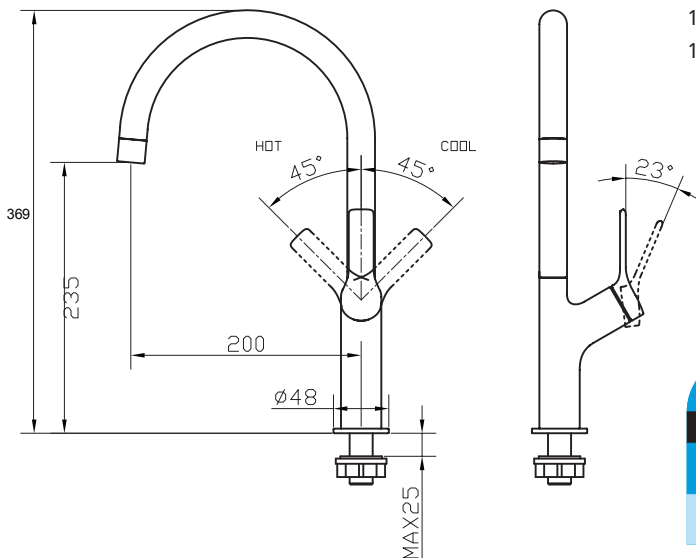
CARTRIDGE	Ceramic cartridge, 25mm.
MATERIAL	Solid stainless steel 304 construction, lead free.
CONNECTION	G½" Pex flexi-hose.

Ratings and installation

WELS RATING	5 Star 5.0lt/min. Reg No TBC. WELS Licence 0296. WM Licence 27027.
PRESSURE	150 – 500kPa.
TEMPERATURE	Maximum water temperature 75°C.
INSTALLATION	Must be installed by a licensed plumber. Isolation stops must be installed inline before flex connectors. Taphole: 35mm.

Order codes

193159	Avida Sink Mixer, Brushed SS
193163	Avida Sink Mixer, Gunmetal
193162	Avida Sink Mixer, Brushed Gold
193164	Avida Sink Mixer, Brushed Bronze
193160	Avida Sink Mixer, Black Matte
193161	Avida Sink Mixer, Chrome



SEIMA

kitchen + laundry + bathroom ware

seima.com.au

Please note

- All measurements are in millimetres.
- Fixing: Use silicone sealant. Do not use epoxy type adhesives.
- Use the actual product to verify installation details.
- Specifications may vary without notice as part of our continuous improvement practices.
- Clean with a damp cloth. Do not use abrasive cleaners, liquids or pastes.