

Anson Pullout Spray Sink Mixer



Lead Free



Pullout sink mixer – Lead Free

Product features

- Dual function, pullout hand piece with spray function
- Swivel spout
- Durable, high quality finishes
- Quick fit push-fit adaptor for pullout hose
- Lead free stainless steel

Available in 6 finishes

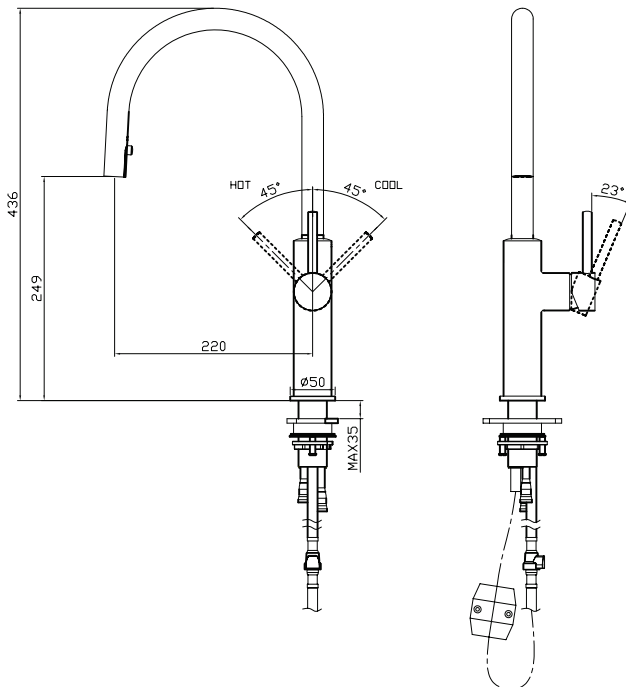
- Brushed Stainless Steel
- Gunmetal, PVD
- Brushed Gold, PVD
- Brushed Bronze, PVD
- Black Matte, EPD
- Chrome

Product details

CARTRIDGE	Ceramic cartridge, 35mm.
MATERIAL	Solid stainless steel 304 construction, lead free.
CONNECTION	G½" Pex flexi-hose.
FITTING	Quick Fit installation for pullout hose. Fitted with easy-to-install push fit adaptor for the pullout hose.

Ratings and installation

WELS RATING	6 Star 4.5lt/min. Reg No TBC. WELS Licence 0296. WM Licence 27027.
PRESSURE	150 – 500kPa.
TEMPERATURE	Maximum water temperature 75°C.
INSTALLATION	Must be installed by a licensed plumber. Isolation stops must be installed inline before flex connectors. Taphole: 35mm.



Order codes

193168	Anson Pullout Sink Mixer, Brushed SS
193172	Anson Pullout Sink Mixer, Gunmetal
193171	Anson Pullout Sink Mixer, Brushed Gold
193173	Anson Pullout Sink Mixer, Brushed Bronze
193169	Anson Pullout Sink Mixer, Black Matte
193170	Anson Pullout Sink Mixer, Chrome



SEIMA

kitchen + laundry + bathroom ware

seima.com.au

Please note

- All measurements are in millimetres.
- Fixing: Use silicone sealant. Do not use epoxy type adhesives.
- Use the actual product to verify installation details.
- Specifications may vary without notice as part of our continuous improvement practices.
- Clean with a damp cloth. Do not use abrasive cleaners, liquids or pastes.