

Agra 430

Collection: Elevate

Above counter basin, round White Silk Matte



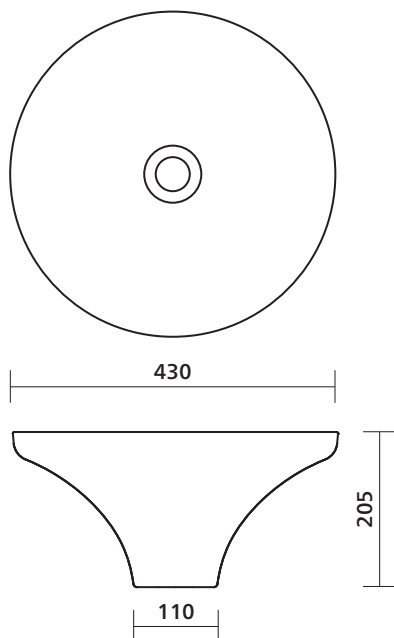
The Agra 430 basin features a striking conical form that adds a sculptural elegance to any bathroom or powder room. Designed for flexible installation, it can be mounted above-counter or partially inset at varying heights, allowing you to tailor the look to suit your space.

Product details

TAPHOLE	No taphole.
WASTE	Suits standard 32 mm waste (not supplied).
MATERIAL	Vitreous china.
COLOUR/FINISH	White, Silk Matte finish.
FIXING	Always use the actual basin to verify cutout. Use silicone sealant. Do not use epoxy type adhesives.

Order code

193354 Agra 430 ceramic basin, White Silk Matte



SEIMA

kitchen + laundry + bathroom ware

seima.com.au

Please note

- All measurements are in millimetres.
- Dimensions are nominal and subject to normal ceramic manufacturing variations of ± 5 mm.
- Wastes, taps and bottle traps shown in images are not included unless specified.
- Fixing: Use silicone sealant. Do not use epoxy type adhesives.
- Always use the actual basin to verify cutout.
- Specifications may vary without notice as part of our continuous improvement practices.
- Clean with a damp cloth. Do not use abrasive cleaners, liquids or pastes.