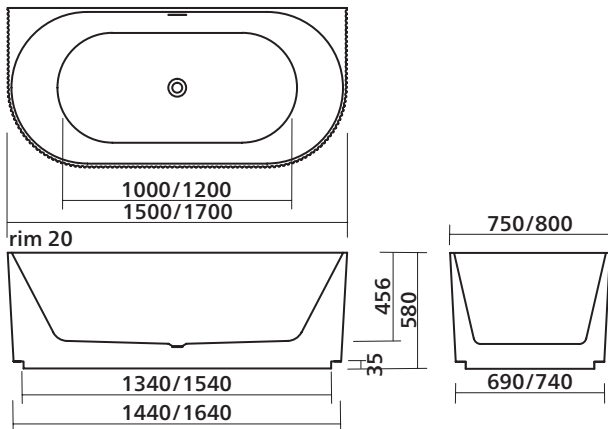


Cleo 115

Collection: Elevate



Back-to-wall freestanding bath – Fluted to rim

- 1500 and 1700 sizes
- White Gloss or Matte
- Integrated slot overflow

Features

- Fluted exterior, fine rim, elegant design
- Seamless design
- White sanitary grade acrylic, excellent heat retention properties
- Suits 40 mm waste
- Integrated slot overflow
- Adjustable support feet

Available in 2 sizes

- 1500 mm long
- 1700 mm long

Available in 2 finishes

- White Gloss, sanitary grade acrylic
- White Matte, sanitary grade acrylic

Installation

Refer to installation instructions.

The bath is supplied with four adjustable support feet on the base frame of the bath. Position the bath and use the adjustable feet to level the bath. Leave a 3mm void between the base of the bath and the floor. Use silicone around the base to seal the bath to the floor. Allow a 20mm gap in the silicone seal as a weephole (gap is designed to reveal any plumbing leakage).

Use acetic cured silicone sealant. Do not use epoxy type adhesives.

Order codes

Bath

WHITE GLOSS FINISH

- | | |
|--------|--|
| 192796 | Cleo 115, 1500mm, White Gloss, integrated overflow |
| 192798 | Cleo 115, 1700mm, White Gloss, integrated overflow |

WHITE MATTE FINISH

- | | |
|--------|--|
| 192797 | Cleo 115, 1500mm, White Matte, integrated overflow |
| 192799 | Cleo 115, 1700mm, White Matte, integrated overflow |

Bath Installation Kit – to suit bath with integrated overflow

Order installation kit separately. FlexiWaste Installation Kit with Pop-out Bath Waste is an optional extra.

- | | |
|--------|---|
| 192179 | FlexiWaste Bath Installn Kit w Pop-out Waste, IO+NOF, Chrome |
| 192329 | FlexiWaste Bath Installn Kit w Pop-out Waste, IO+NOF, Br Nickel |
| 192332 | FlexiWaste Bath Installn Kit w Pop-out Waste, IO+NOF, Gunmetal |
| 192333 | FlexiWaste Bath Installn Kit w Pop-out Waste, IO+NOF, Br Gold |
| 192331 | FlexiWaste Bath Installn Kit w Pop-out Waste, IO+NOF, Wh Gloss |
| 192458 | FlexiWaste Bath Installn Kit w Pop-out Waste, IO+NOF, Wh Matte |
| 192330 | FlexiWaste Bath Installn Kit w Pop-out Waste, IO+NOF, Black |

Note: The Pop-out Waste in this kit is suitable for both non-overflow and integrated overflow requirements when used with this kit.


Note: Order bath and Installation kit separately.

FlexiWaste Installation Kit includes premium Pop-out Bath Waste.

Colour options:

- Chrome
- Brushed Nickel
- Gunmetal
- Brushed Gold
- White Gloss
- White Matte
- Black Matte



 Bath has integrated overflow

SEIMA

kitchen + laundry + bathroom ware

seima.com.au

Please note

- All measurements are in millimetres.
- Dimensions are nominal and subject to normal manufacturing variations.
- Fixing: Use silicone sealant. Do not use epoxy type adhesives.
- Specifications may vary without notice as part of our continuous improvement practices.
- Clean with a damp cloth. Do not use abrasive cleaners, liquids or pastes.