

Limni 451

Collection: Elevate



Inset above counter basin, rectangular

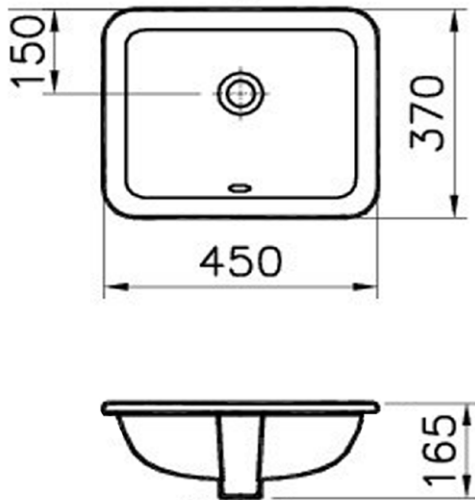
This ceramic inset basin has an overflow at the front of the basin, with the waste set back from the centre of the bowl.

Order codes

192701 Limni 451 ceramic inset basin with overflow

Product details

TAPHOLE	No taphole.
WASTE	Suits 32 mm overflow waste (not supplied).
OVERFLOW	Has overflow.
MATERIAL	Vitreous china.
COLOUR	White, gloss finish.
FIXING	Always use the actual basin to verify cutout. Use silicone sealant. Do not use epoxy type adhesives.



Premium Basin Wastes (AVAILABLE SEPARATELY)

POP-OUT BASIN WASTE – CERAMIC CAP + CHROME BASE

192257 Ceramic Pop-out Basin Waste, White Silk Matte

192258 Ceramic Pop-out Basin Waste, White Gloss

192259 Ceramic Pop-out Basin Waste, Black Silk Matte

(Note: Ceramic cap also available in other colours.)

POP-OUT BASIN WASTE – COLOUR METAL CAP + COLOUR BASE

192010 Pop-out Basin Waste – Chrome

192012 Pop-out Basin Waste – Brushed Nickel

192199 Pop-out Basin Waste – Gunmetal


192013 Pop-out Basin Waste – Brushed Gold

192009 Pop-out Basin Waste – White Matte

192011 Pop-out Basin Waste – Black Matte



basin wastes

 Basin has integrated overflow.

SEIMA

kitchen + laundry + bathroom ware

seima.com.au

Please note

- All measurements are in millimetres.
- Dimensions are nominal and subject to normal ceramic manufacturing variations of ± 5 mm.
- Wastes, taps and bottle traps shown in images are not included unless specified.
- Fixing: Use silicone sealant. Do not use epoxy type adhesives.
- Always use the actual basin to verify cutout.
- Specifications may vary without notice as part of our continuous improvement practices.
- Clean with a damp cloth. Do not use abrasive cleaners, liquids or pastes.