

Limni 135 Island Inset Bath

Collection: Elevate

Former name: Paxi Island bath



Island bath – 1700 mm

Features

- Super-ellipse design with streamlined features
- White sanitary grade acrylic, gloss finish
- Resists chipping, natural slip resistance, excellent heat retention properties
- Solid base support
- Full resin reinforced
- Full tile flange around bath
- Suitable for island installation

Available in 2 configuration options

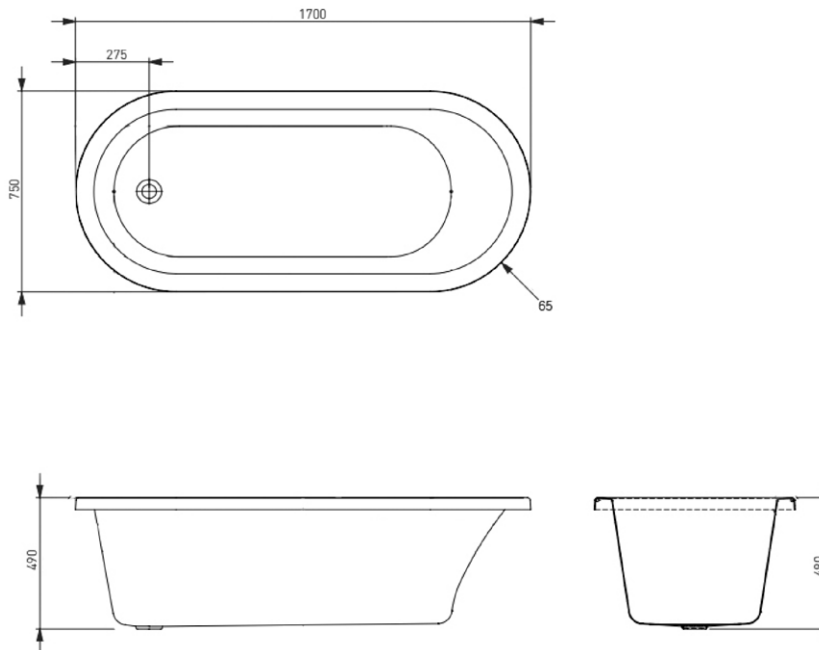
- **OPTION 1** Bath with No Overflow
- **OPTION 2** Bath with Overflow

Installation

Refer to installation instructions. Always refer to actual product to verify cutout. Use acetic cured silicone sealant. Do not use epoxy type adhesives.

Order codes

See next page for order codes.



SEIMA

kitchen + laundry + bathroom ware

seima.com.au

Please note

- All measurements are in millimetres.
- Dimensions are nominal and subject to normal manufacturing variations.
- Fixing: Use silicone sealant. Do not use epoxy type adhesives.
- Specifications may vary without notice as part of our continuous improvement practices.
- Clean with a damp cloth. Do not use abrasive cleaners, liquids or pastes.



View bath on
our website

Limni 135 – Order Codes

Order codes

OPTION 1 Limni 135 Bath with No Overflow

Bath only – No Overflow

191855 Limni 135, No Overflow

OPTIONAL EXTRA — ORDER SEPARATELY

Bath Installation Kit + Pop-out Waste to suit Non-Overflow bath

PREMIUM KIT — Kit includes Pop-out Bath Waste + colour options:

192179 FlexiWaste Bath Installn Kit w Pop-out Waste, no OF, Chrome
192329 FlexiWaste Bath Installn Kit w Pop-out Waste, no OF, Brushed Nickel
192332 FlexiWaste Bath Installn Kit w Pop-out Waste, no OF, Gunmetal
192333 FlexiWaste Bath Installn Kit w Pop-out Waste, no OF, Brushed Gold
192331 FlexiWaste Bath Installn Kit w Pop-out Waste, no OF, White Gloss
192458 FlexiWaste Bath Installn Kit w Pop-out Waste, no OF, White Matte
192330 FlexiWaste Bath Installn Kit w Pop-out Waste, no OF, Black Matte

BASIC KIT — Kit includes Chrome Plug+Waste:

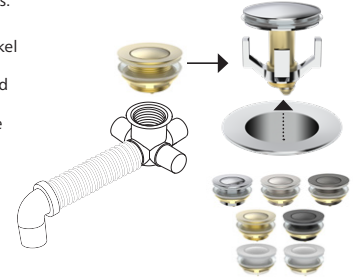
192178 Plug+Waste Bath Waste Kit, Chrome

Option 1 – Order Bath and Installation Kit separately. Select Premium or Basic option.

PREMIUM Installation Kit – Non-overflow:

FlexiWaste Installation Kit with premium Pop-out Bath Waste. Colour options:

- Chrome
- Brushed Nickel
- Gunmetal
- Brushed Gold
- White Gloss
- White Matte
- Black Matte



BASIC Installation Kit – Non-overflow:

FlexiWaste Installation Kit (as above) with basic Chrome Plug+Waste



OPTION 2 Limni 135 Bath with Overflow

Option 2, Bath with Overflow, includes Bath plus FlexiWaste Installation Kit.

BATH WITH PREMIUM KIT — inc Pop-out Bath Waste + OF Dome + colour options:

192905 Limni 135 + FlexiWaste Bath Installn Kit w OF + Pop-out Waste, Chrome
192906 Limni 135 + FlexiWaste Bath Installn Kit w OF + Pop-out Waste, Brushed Nickel
192907 Limni 135 + FlexiWaste Bath Installn Kit w OF + Pop-out Waste, Gunmetal
192908 Limni 135 + FlexiWaste Bath Installn Kit w OF + Pop-out Waste, Brushed Gold
192909 Limni 135 + FlexiWaste Bath Installn Kit w OF + Pop-out Waste, White Gloss
192910 Limni 135 + FlexiWaste Bath Installn Kit w OF + Pop-out Waste, White Matte
192911 Limni 135 + FlexiWaste Bath Installn Kit w OF + Pop-out Waste, Black Matte

BATH WITH BASIC KIT — inc Plug+Waste + OF Dome in Chrome:

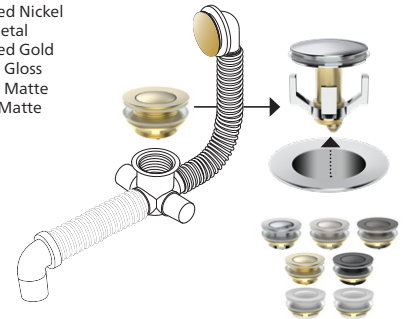
192912 Limni 135 + FlexiWaste Overflow Kit, Plug+Waste, Chrome

Option 2 – Includes Bath and FlexiWaste Installation Kit with Overflow and Pop-out Waste. Select Premium or Basic option.

PREMIUM Installation Kit with Overflow:

Includes premium Pop-out Bath Waste and Overflow Dome. Colour options:

- Chrome
- Brushed Nickel
- Gunmetal
- Brushed Gold
- White Gloss
- White Matte
- Black Matte



BASIC Installation Kit with Overflow:

FlexiWaste Installation Kit (as above) with basic Chrome Plug+Waste and Chrome overflow dome



SEIMA

kitchen + laundry + bathroom ware

seima.com.au

Please note

- All measurements are in millimetres.
- Dimensions are nominal and subject to normal manufacturing variations.
- Fixing: Use silicone sealant. Do not use epoxy type adhesives.
- Specifications may vary without notice as part of our continuous improvement practices.
- Clean with a damp cloth. Do not use abrasive cleaners, liquids or pastes.