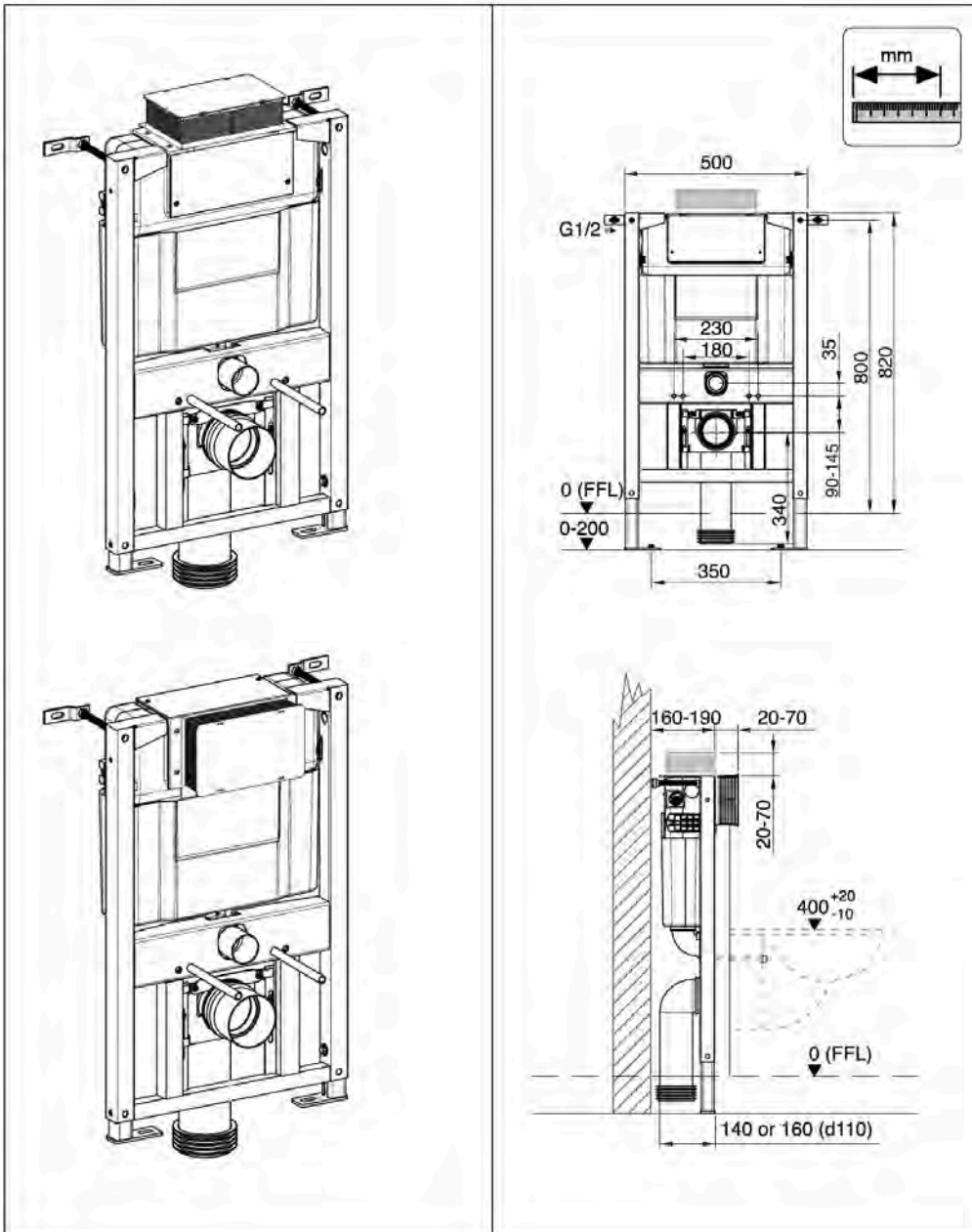


# InWall Cistern M201 with Frame

- 1 Cistern must be installed by a licensed plumber. Failure to do so may void the warranty.
- 2 Refer to pan specifications for dimensions from finished floor level (FFL) to pan inlet and outlet.
- 3 These instructions show flush plate installation for front access. To install flush plate for remote access, refer to the flush plate instructions.



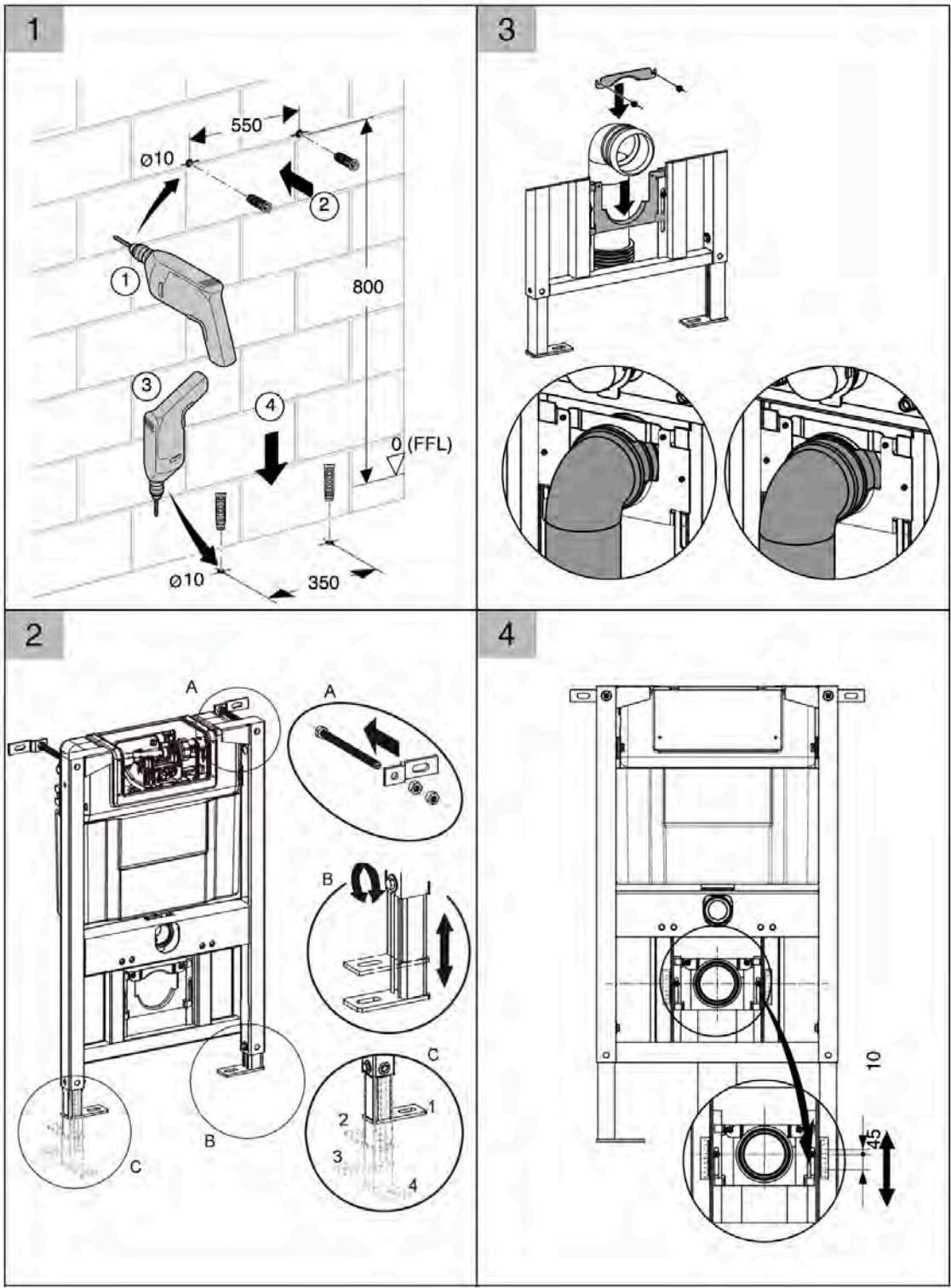
# SEIMA

kitchen + laundry + bathroom ware

seima.com.au

**Please note**

- Installation shall be in accordance with AS/NZS3500.
- All measurements are in millimetres.
- Do not use epoxy type adhesives.
- Specifications may vary without notice as part of our continuous improvement practices.
- Clean with a damp cloth. Do not use abrasive cleaners, liquids or pastes.



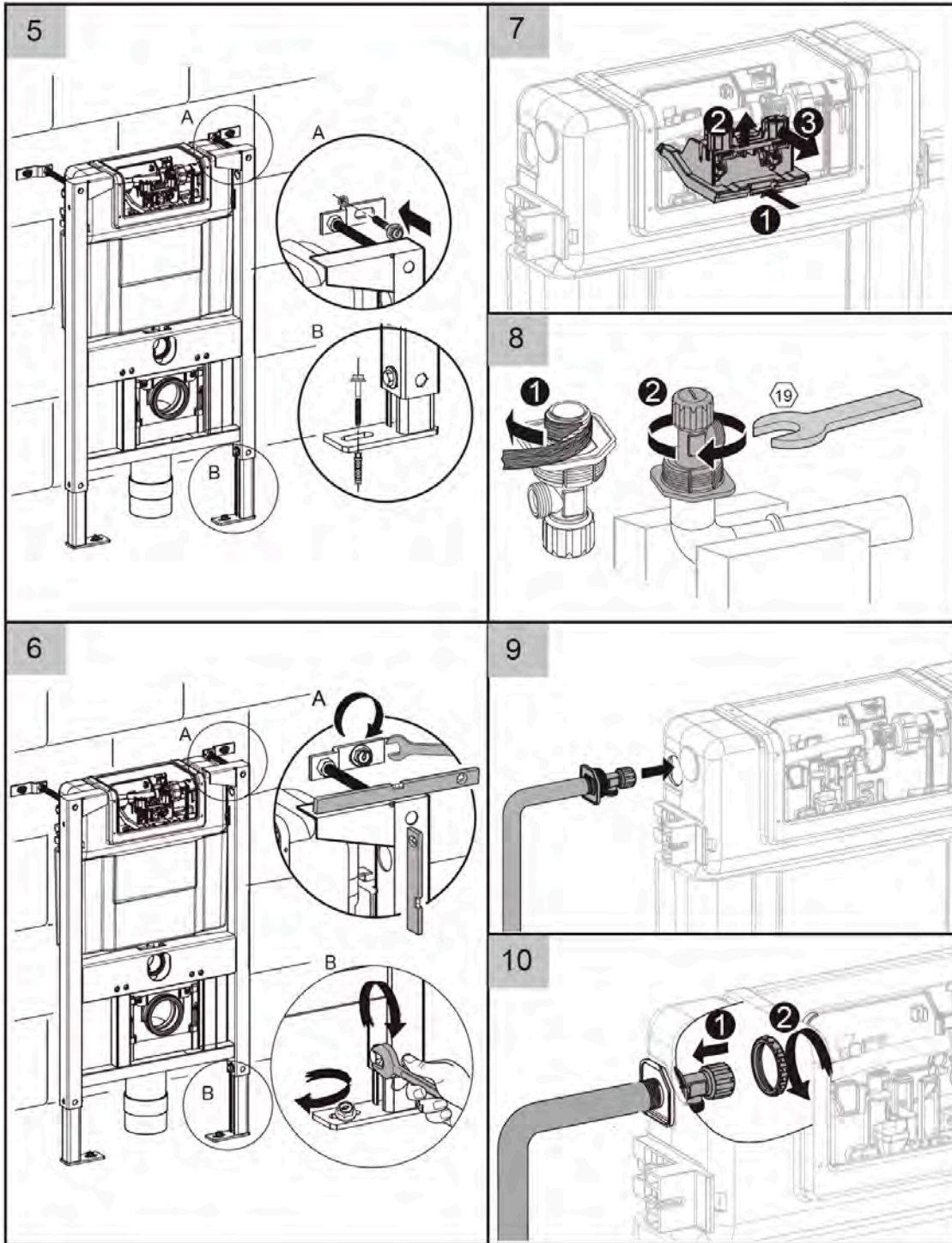
# SEIMA

kitchen + laundry + bathroom ware

seima.com.au

**Please note**

- Installation shall be in accordance with AS/NZS3500.
- All measurements are in millimetres.
- Do not use epoxy type adhesives.
- Specifications may vary without notice as part of our continuous improvement practices.
- Clean with a damp cloth. Do not use abrasive cleaners, liquids or pastes.



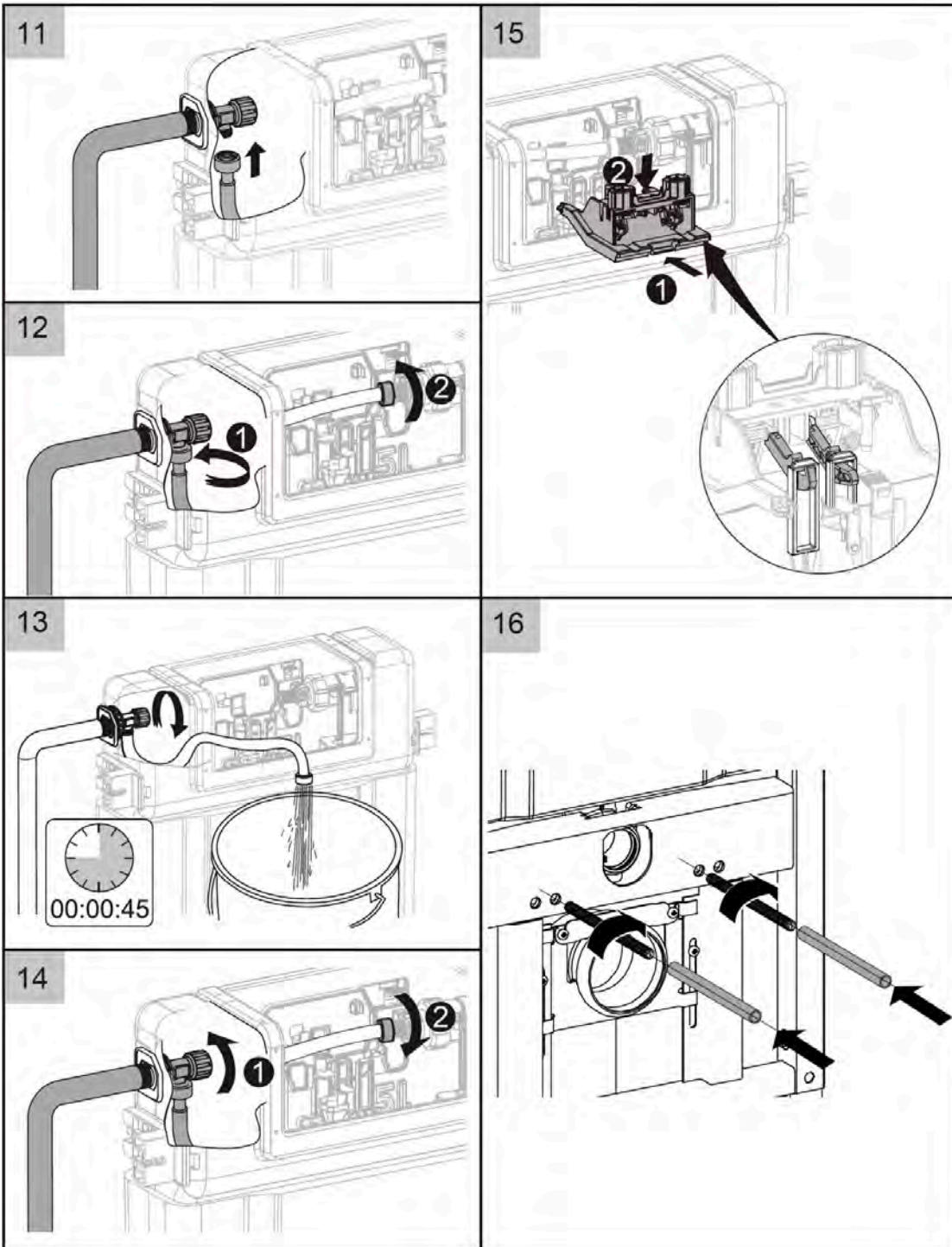
# SEIMA

kitchen + laundry + bathroom ware

seima.com.au

**Please note**

- Installation shall be in accordance with AS/NZS3500.
- All measurements are in millimetres.
- Do not use epoxy type adhesives.
- Specifications may vary without notice as part of our continuous improvement practices.
- Clean with a damp cloth. Do not use abrasive cleaners, liquids or pastes.



# SEIMA

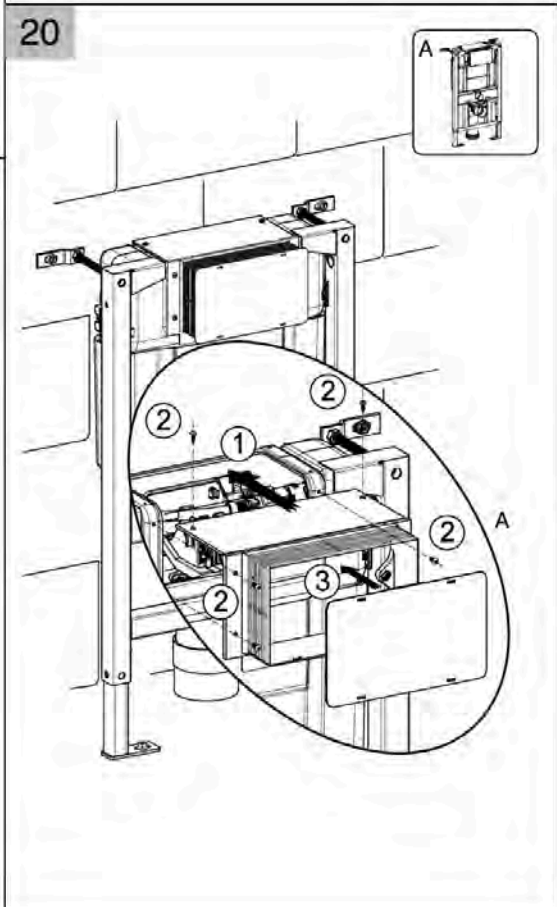
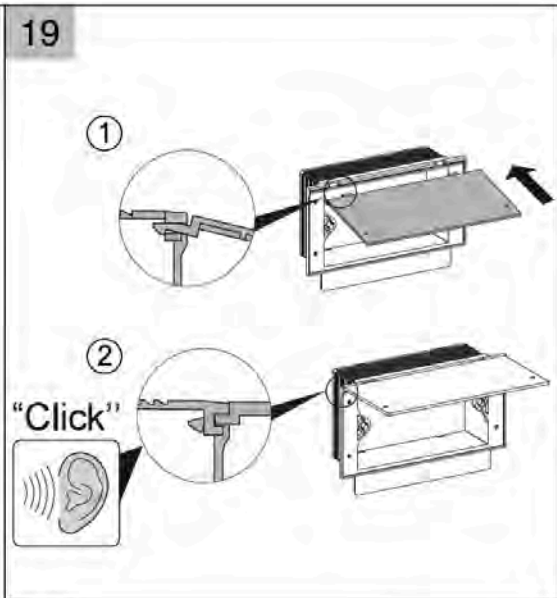
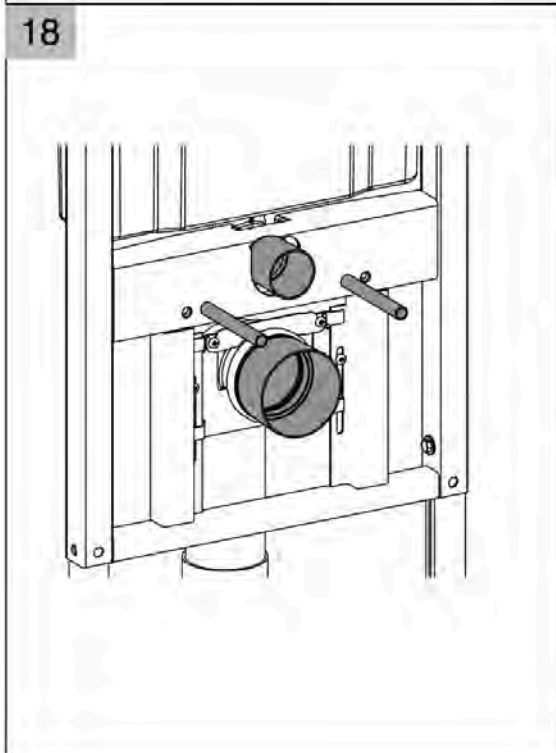
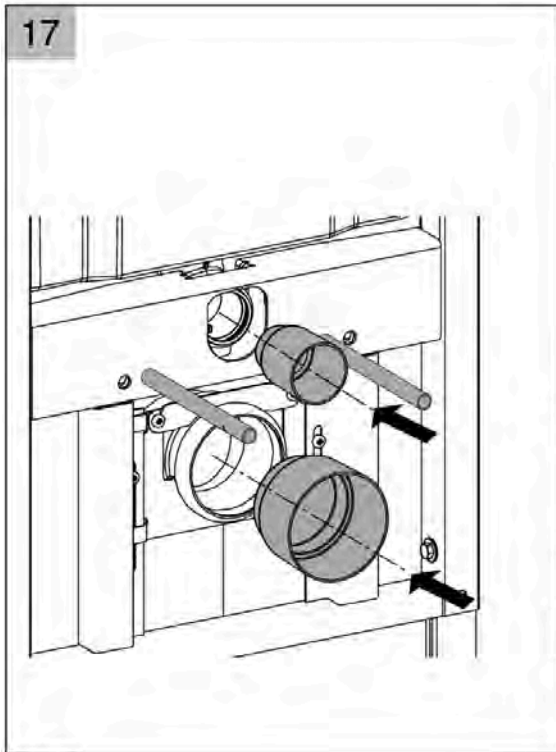
kitchen + laundry + bathroom ware

seima.com.au

**Please note**

- Installation shall be in accordance with AS/NZS3500.
- All measurements are in millimetres.
- Do not use epoxy type adhesives.
- Specifications may vary without notice as part of our continuous improvement practices.
- Clean with a damp cloth. Do not use abrasive cleaners, liquids or pastes.



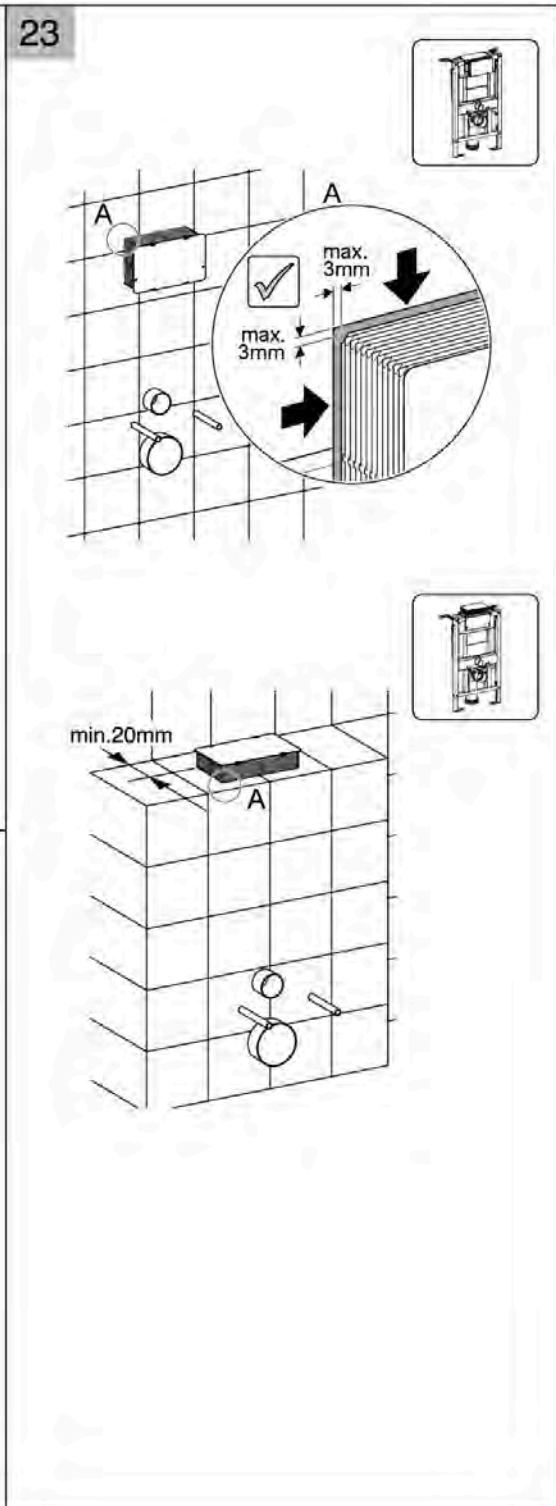
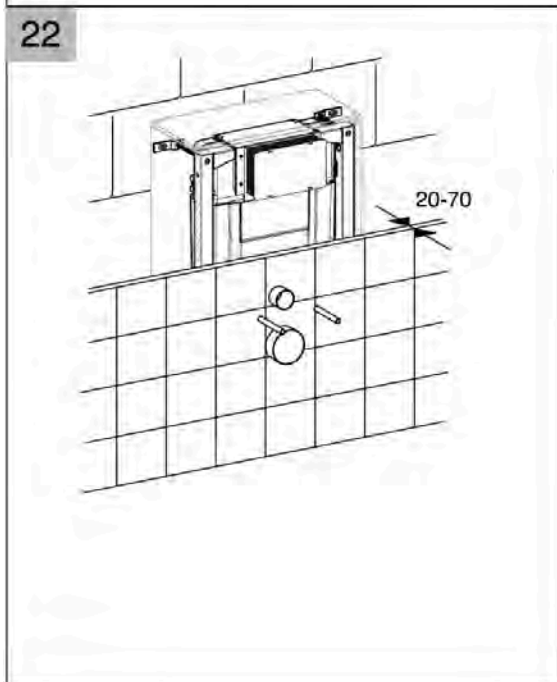
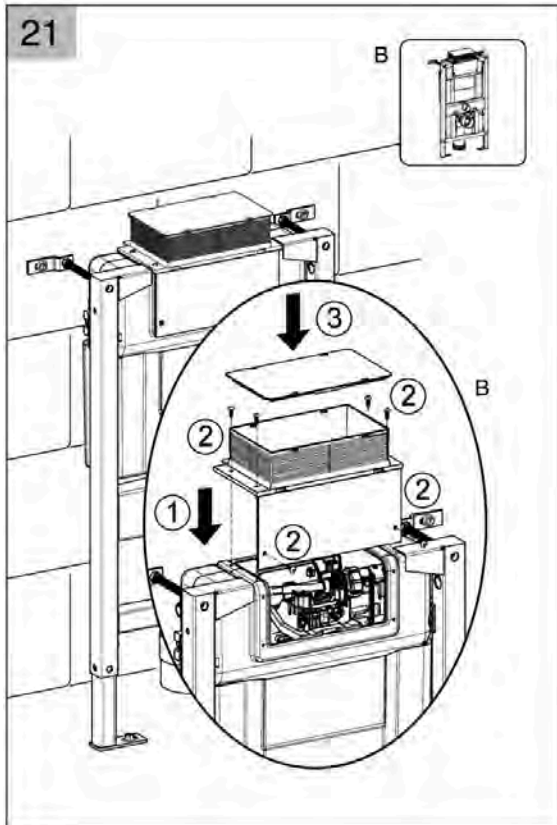


**SEIMA**  
kitchen + laundry + bathroom ware

seima.com.au

**Please note**

- Installation shall be in accordance with AS/NZS3500.
- All measurements are in millimetres.
- Do not use epoxy type adhesives.
- Specifications may vary without notice as part of our continuous improvement practices.
- Clean with a damp cloth. Do not use abrasive cleaners, liquids or pastes.



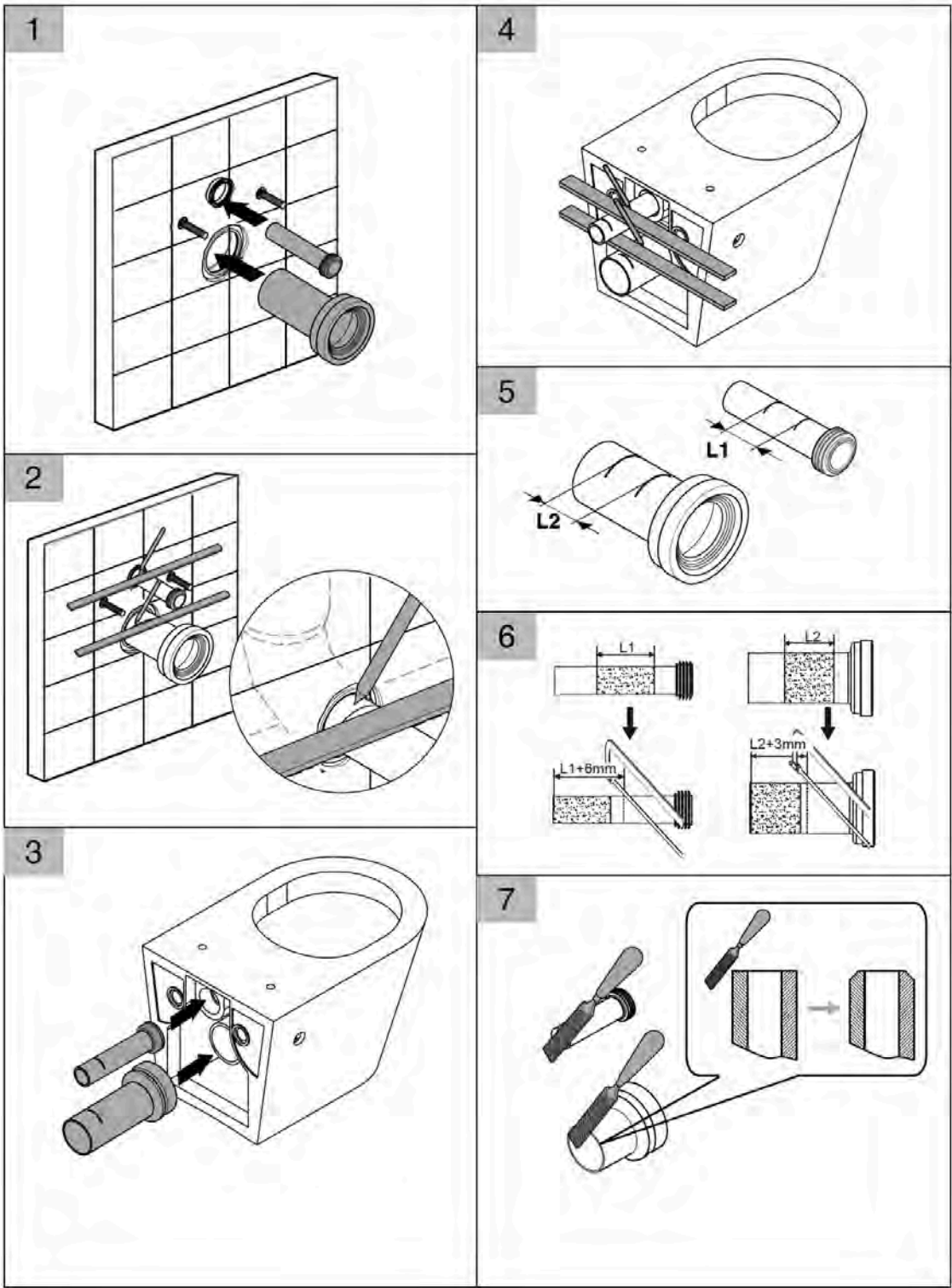
# SEIMA

kitchen + laundry + bathroom ware

seima.com.au

**Please note**

- Installation shall be in accordance with AS/NZS3500.
- All measurements are in millimetres.
- Do not use epoxy type adhesives.
- Specifications may vary without notice as part of our continuous improvement practices.
- Clean with a damp cloth. Do not use abrasive cleaners, liquids or pastes.



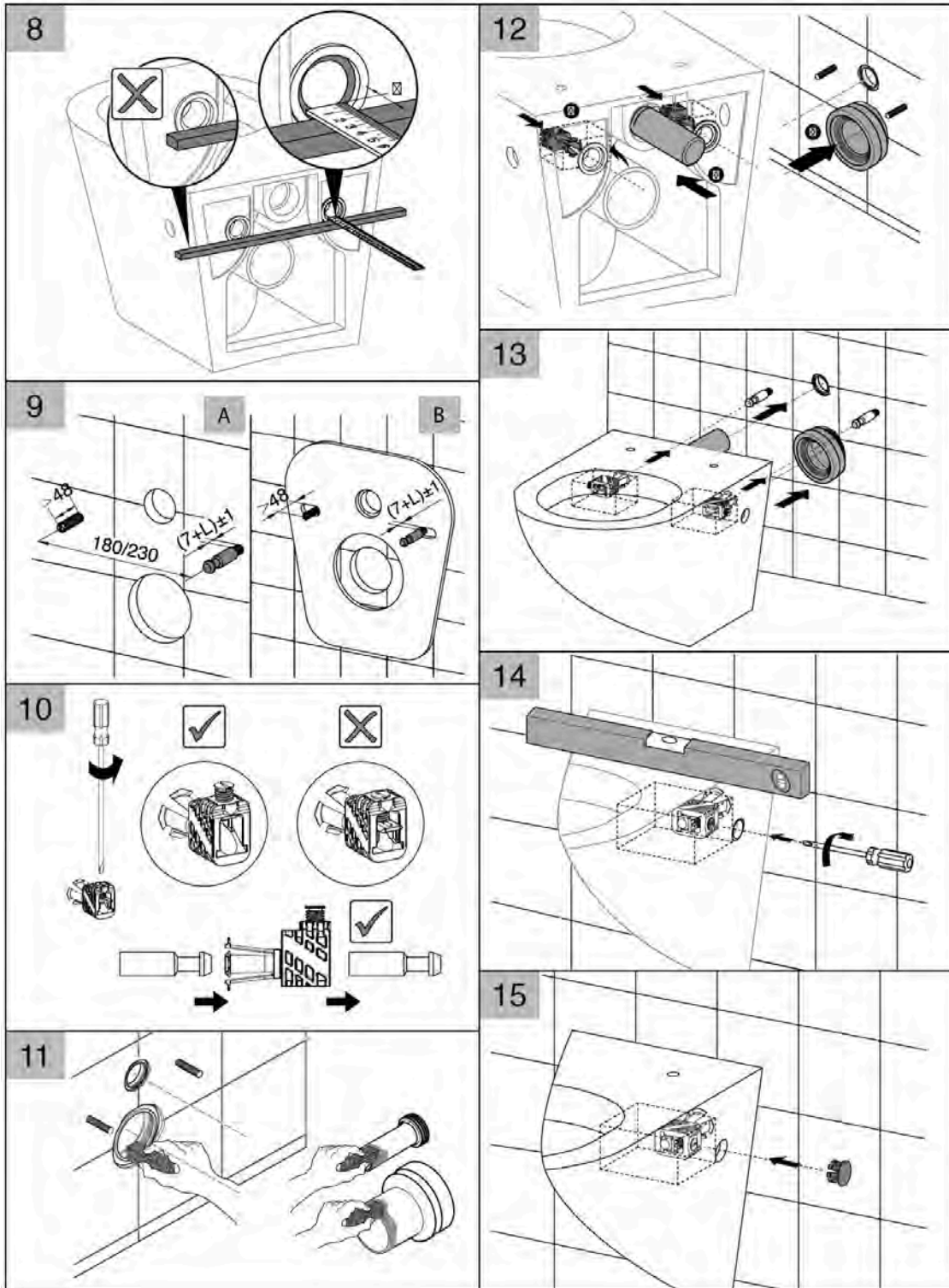
# SEIMA

kitchen + laundry + bathroom ware

seima.com.au

**Please note**

- Installation shall be in accordance with AS/NZS3500.
- All measurements are in millimetres.
- Do not use epoxy type adhesives.
- Specifications may vary without notice as part of our continuous improvement practices.
- Clean with a damp cloth. Do not use abrasive cleaners, liquids or pastes.



# SEIMA

kitchen + laundry + bathroom ware

seima.com.au

**Please note**

- Installation shall be in accordance with AS/NZS3500.
- All measurements are in millimetres.
- Do not use epoxy type adhesives.
- Specifications may vary without notice as part of our continuous improvement practices.
- Clean with a damp cloth. Do not use abrasive cleaners, liquids or pastes.