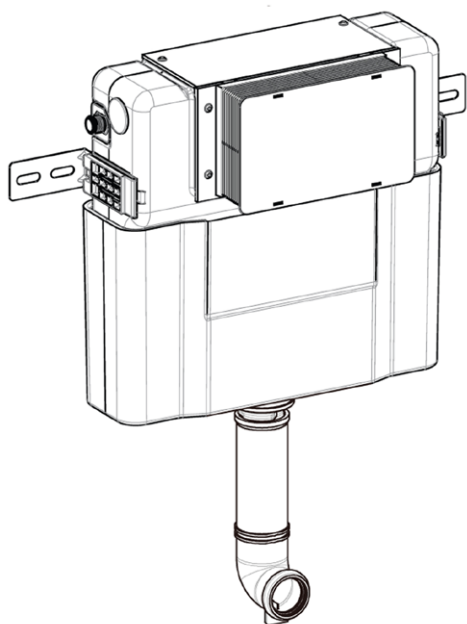


# InWall M101 Cistern Mechanical actuation / 130mm thick



## In-wall cistern with mechanical actuation

- 130mm thick design to suit nib wall
- Suits floor mount toilet

The cistern is activated through mechanical flush buttons.

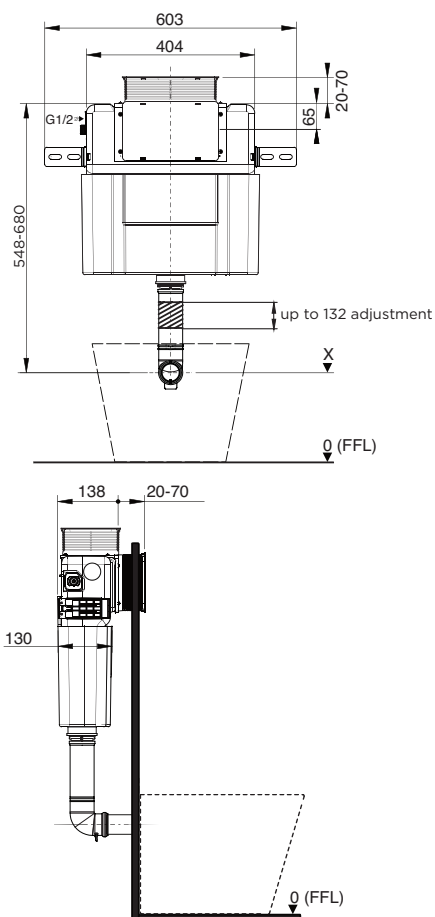
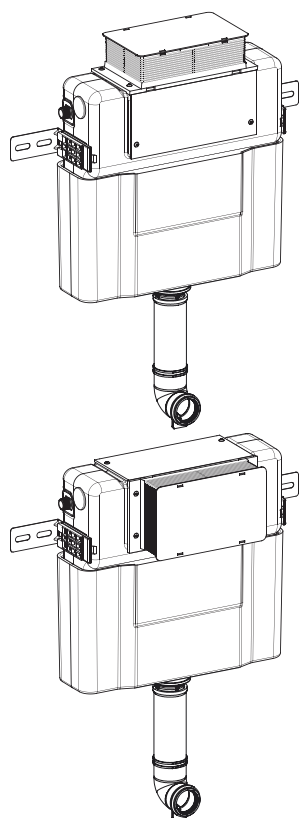
- Suits floor mount toilet pan.
- Undercounter cistern designed for installation in a nib wall.
- Front access or top access to cistern through flush plate.
- Fully insulated by anti-condensation foam to prevent moisture escape.
- Easy to install.
- Innovative design allows the cistern to be serviced through the flush plate.

### Order codes

192681 Inwall M101 Cistern – Mechanical Actuation

### Product details

ACCESS	Front access or top access through flush plate.
WELS	4 star rating 4.5/3 litre water saving flush.
PAN	Suits floor mount toilet pan.
BUTTONS	Compatible with Seima mechanical flush buttons.
INSTALLATION	Refer to installation instructions.



# SEIMA

kitchen + laundry + bathroom ware

seima.com.au

### Please note

- Installation shall be in accordance with AS/NZS3500.
- All measurements are in millimetres. Height dimensions are to base of pan. Make allowance for bedding.
- Bedding: Pan may be bedded with cement base or using silicone sealant. Fix pan to floor using a sand cement mixture of 3:1 to a depth of 60mm. Do not use lime or fast-drying cement.

- Bracket fixing: The pan should be bedded with silicone sealant and fixed with the brackets supplied.
- Do NOT use epoxy type adhesives.
- Dimensions are nominal and subject to normal ceramic manufacturing variations.
- Specifications may vary without notice as part of our continuous improvement practices.
- Clean with a damp cloth. Do not use abrasive cleaners, liquids or pastes.