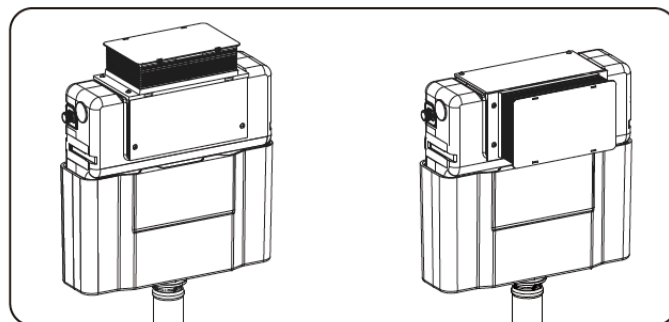
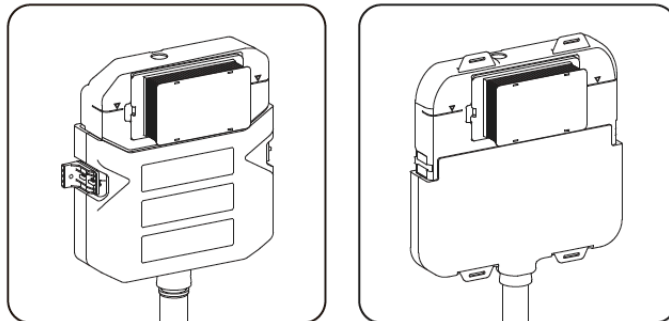
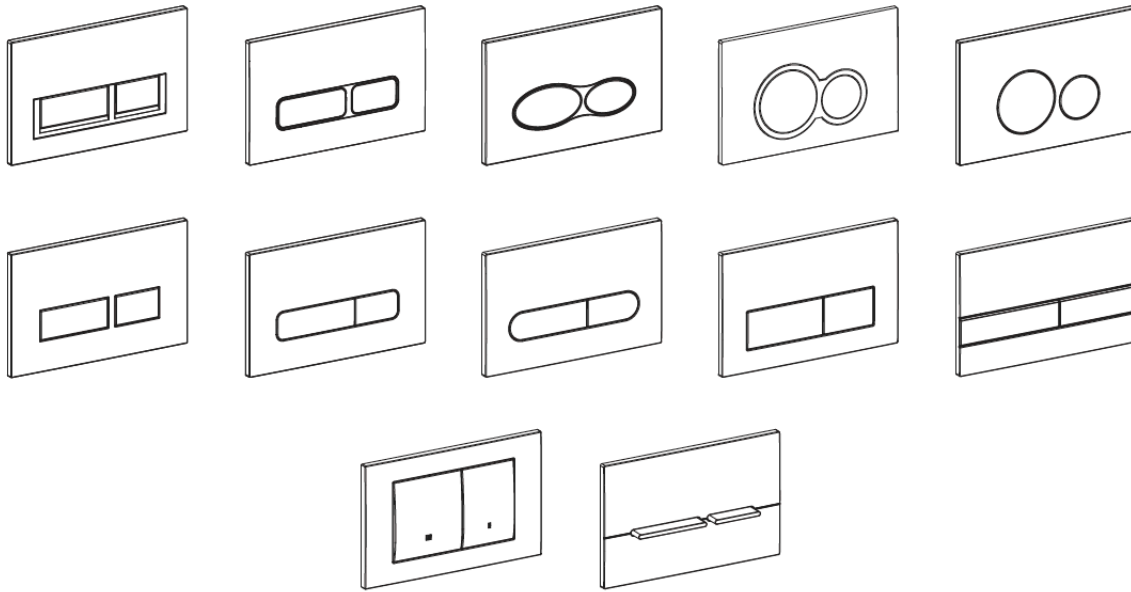


# Flush Plate 500M

## Mechanical Operation



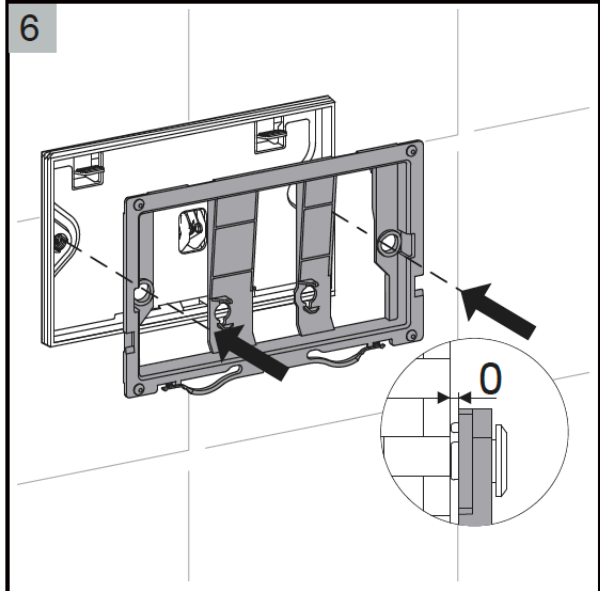
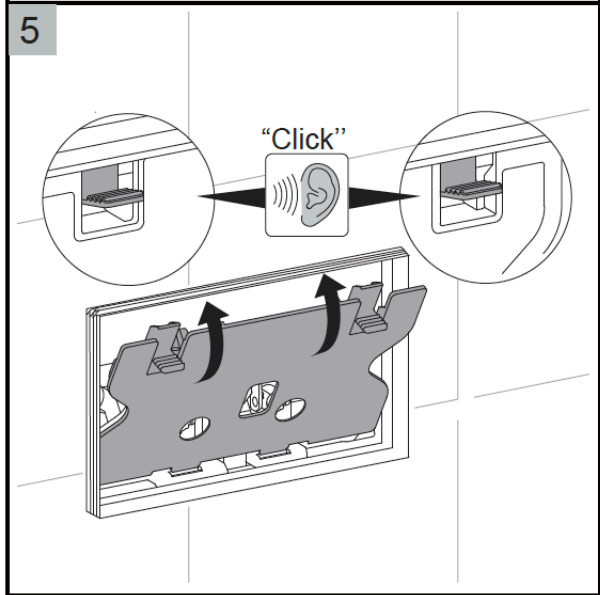
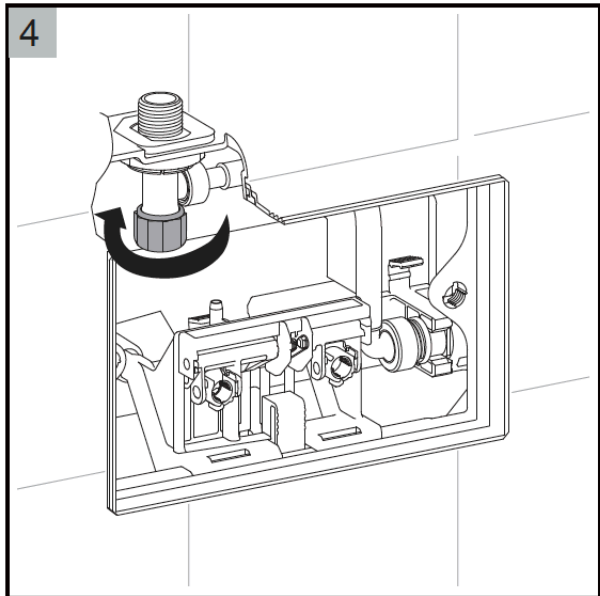
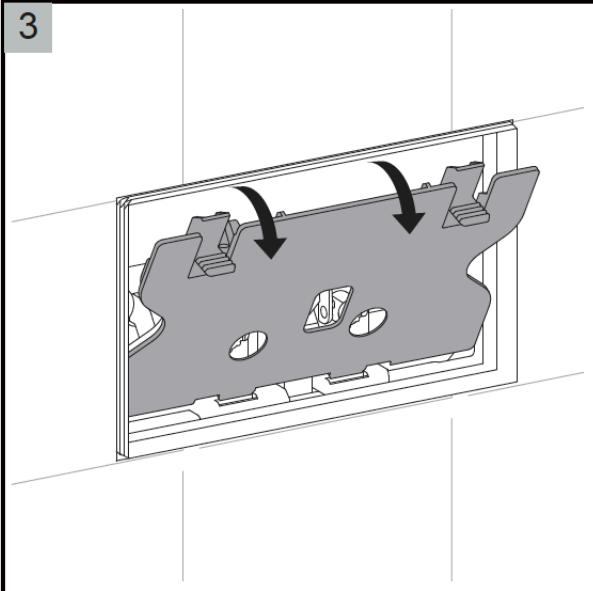
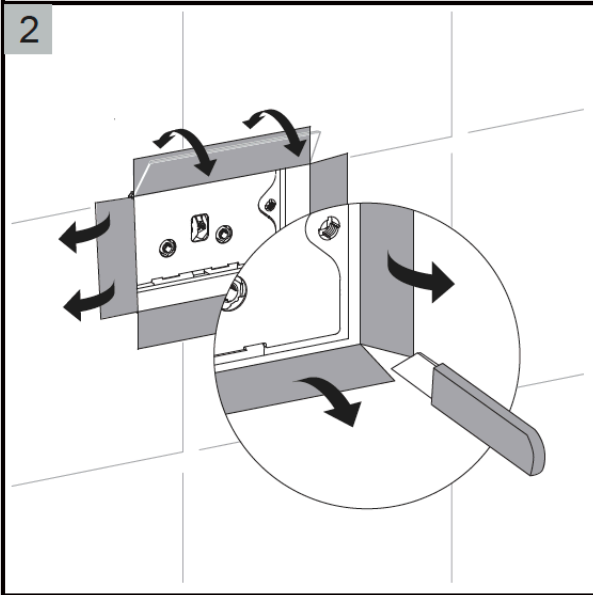
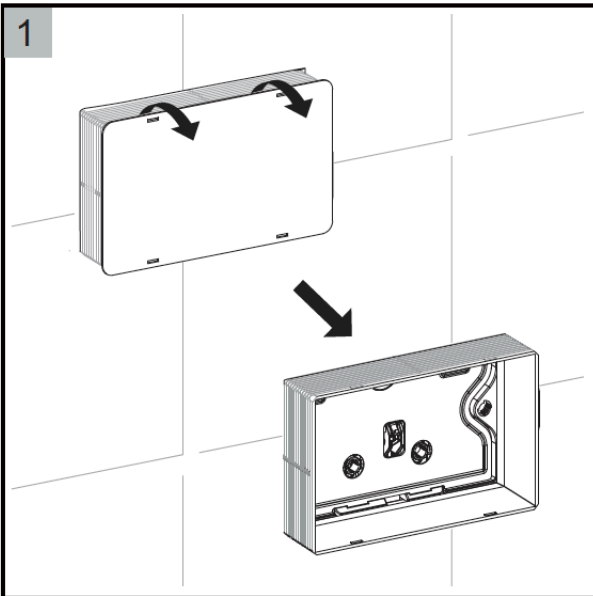
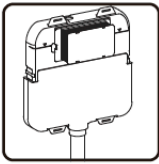
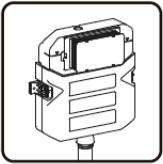
# SEIMA

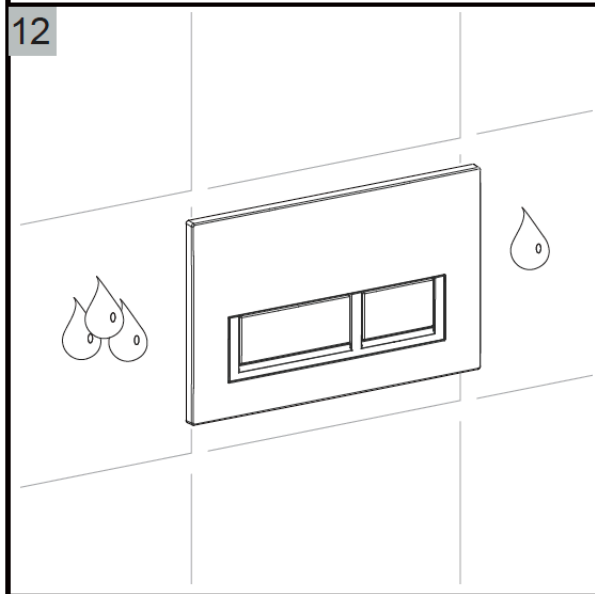
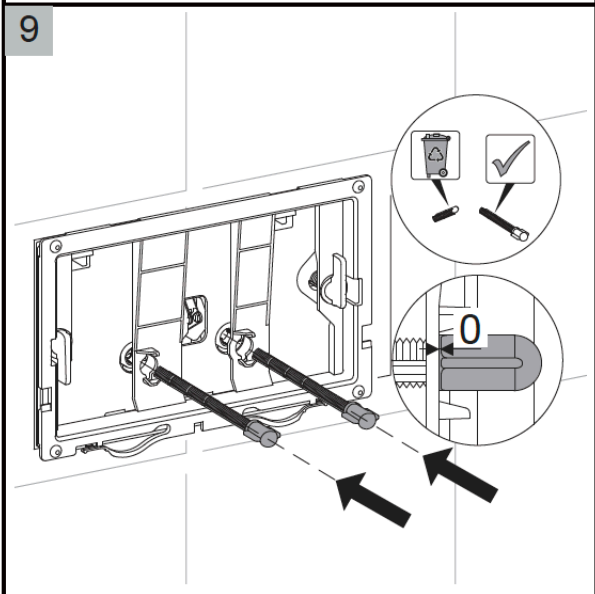
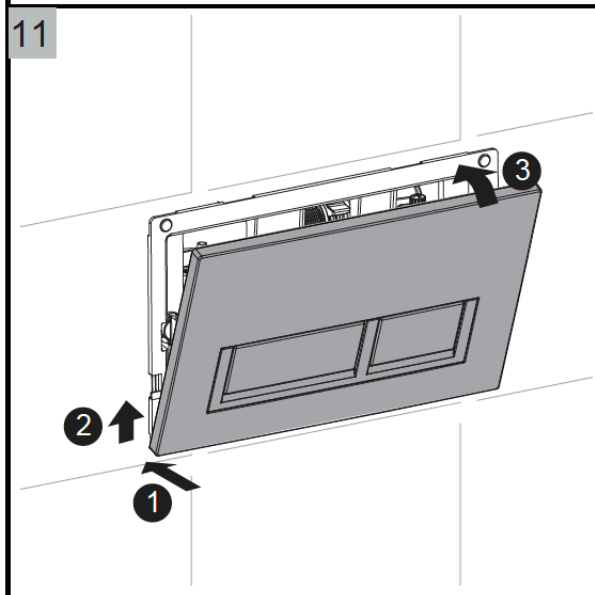
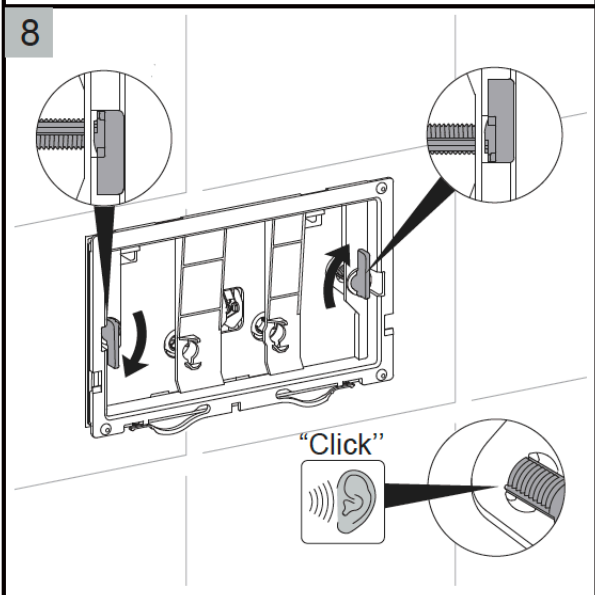
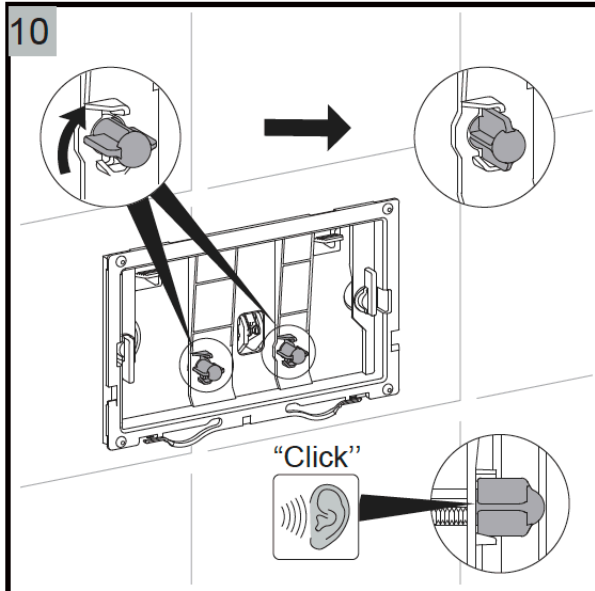
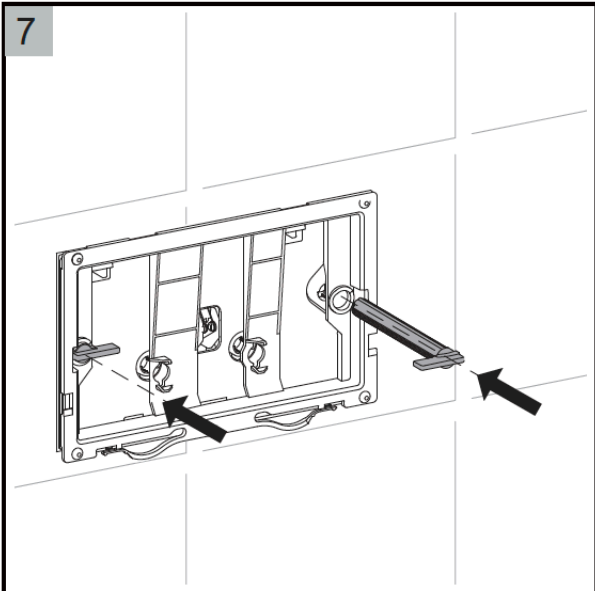
kitchen + laundry + bathroom ware

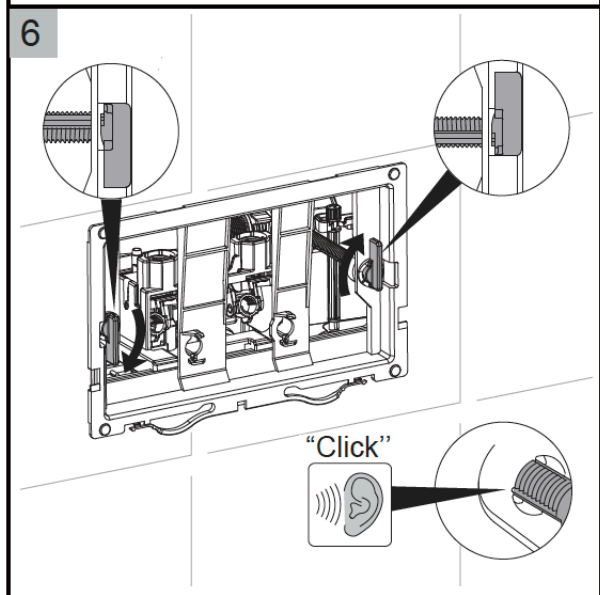
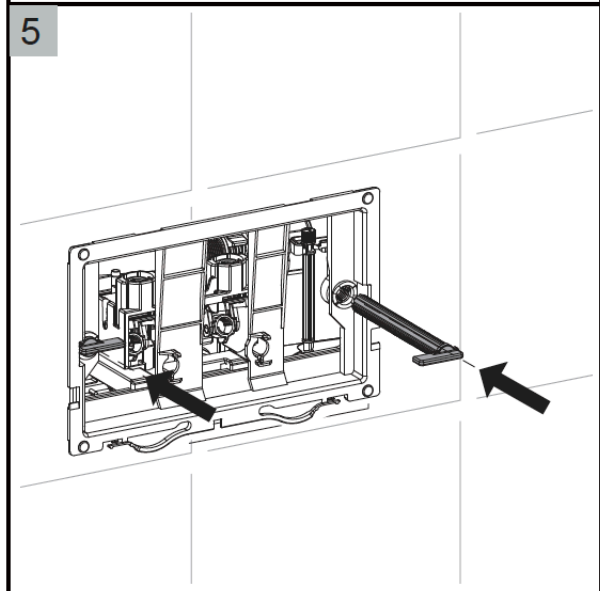
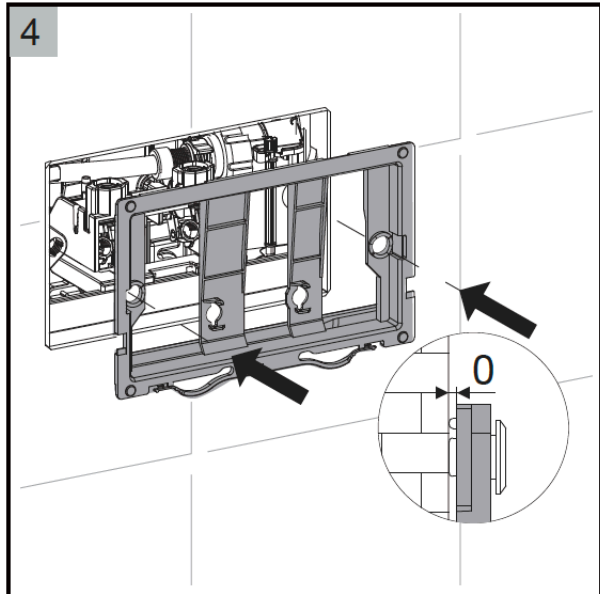
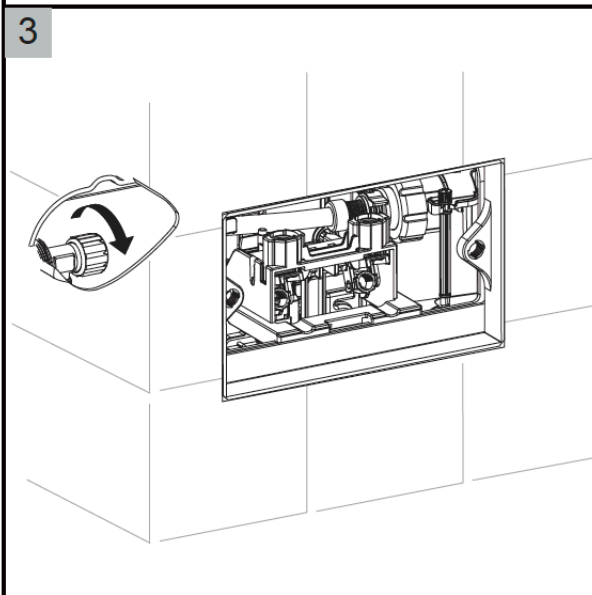
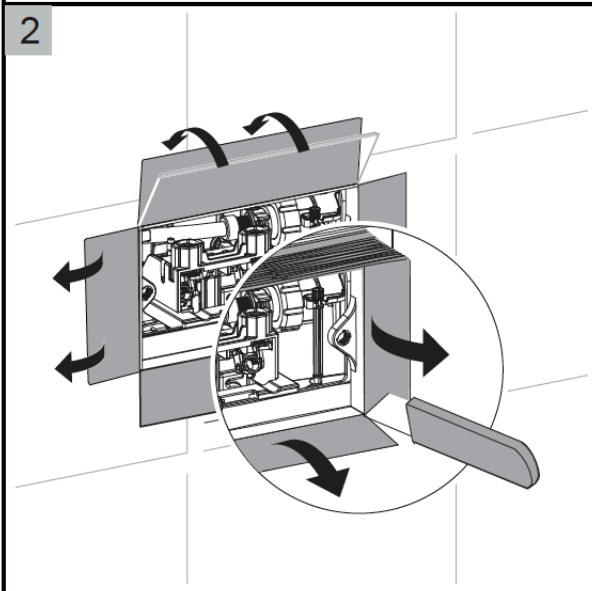
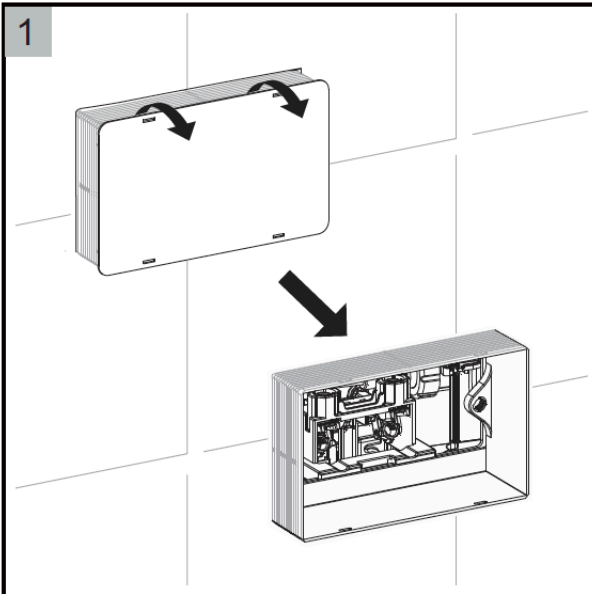
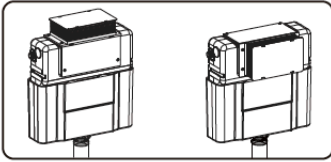
[seima.com.au](http://seima.com.au)

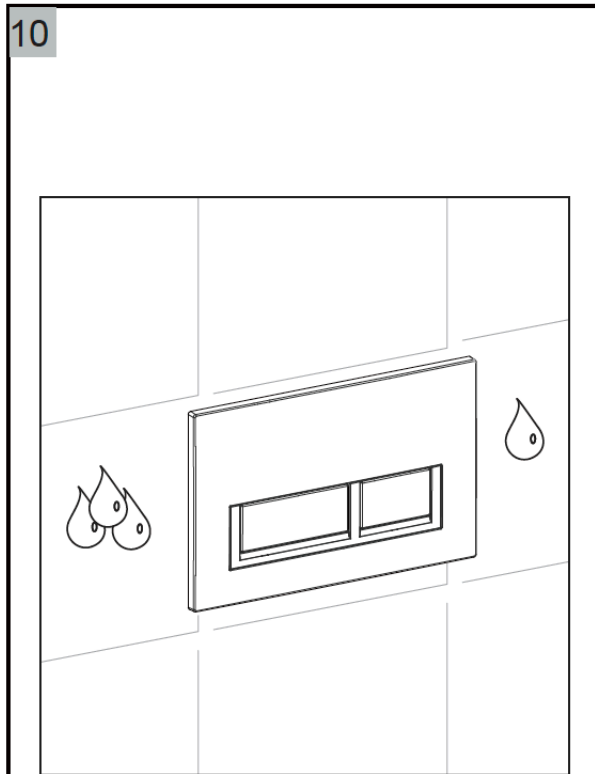
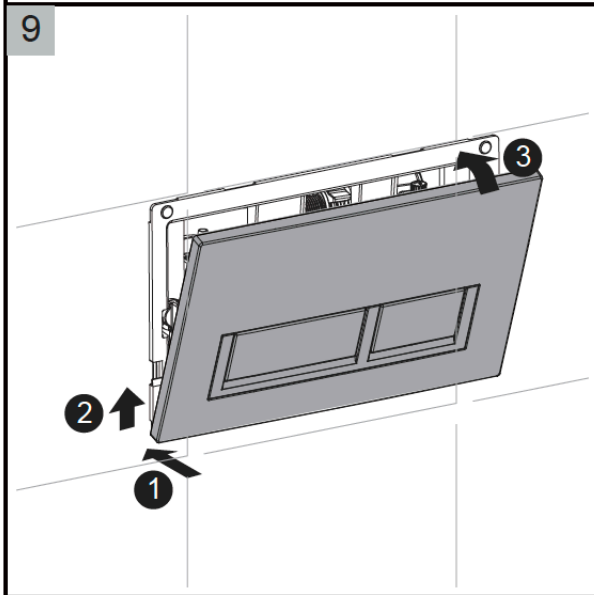
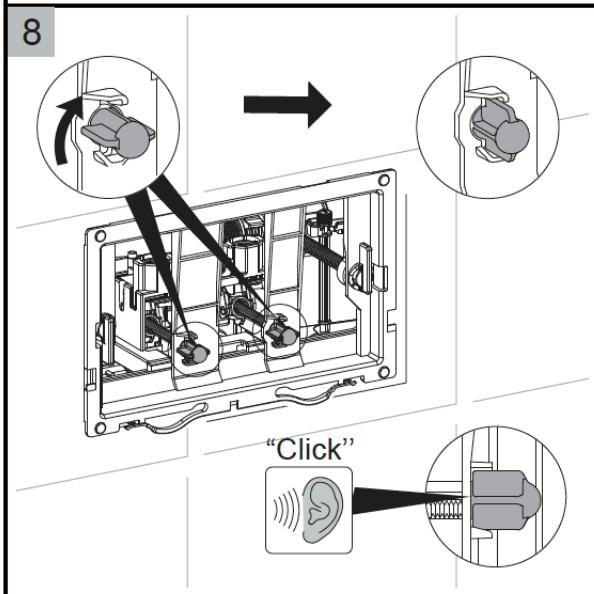
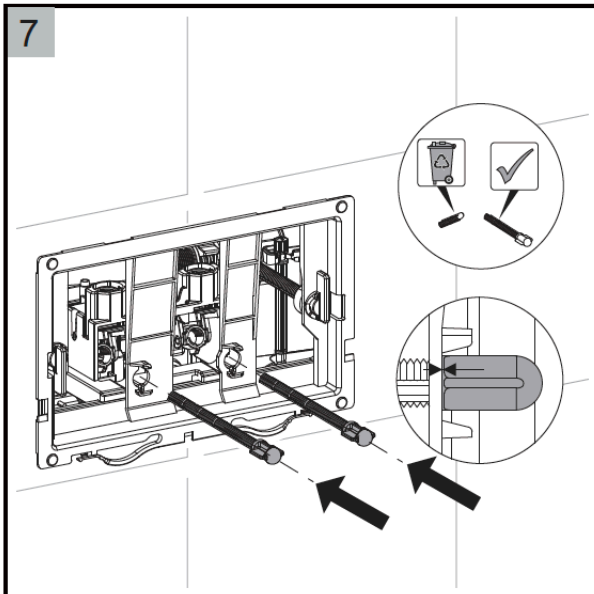
**Please note**

- Installation shall be in accordance with AS/NZS3500.
- All measurements are in millimetres.
- Do not use epoxy type adhesives.
- Specifications may vary without notice as part of our continuous improvement practices.
- Clean with a damp cloth. Do not use abrasive cleaners, liquids or pastes.









or

