

Cleo 410

Collection: Elevate



White Gloss



White Silk Matte

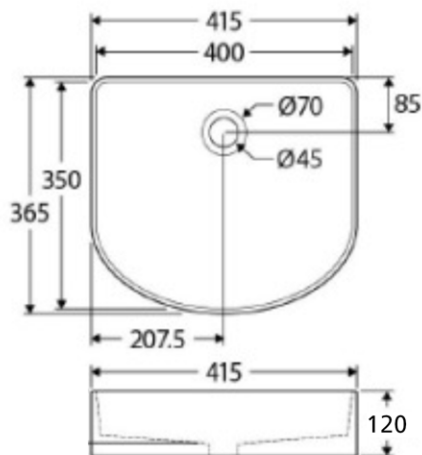
Above counter basin, fluted outer, D-shaped

Order codes

192616	Cleo 410 – White Gloss
192617	Cleo 410 – White Silk Matte

Product details

TAPHOLE	No taphole.
WASTE	Suits 32 mm non-overflow waste (not supplied).
OVERFLOW	No overflow.
MATERIAL	Vitreous china.
COLOUR	White.
FIXING	Always use the actual basin to verify cutout. Use silicone sealant. Do not use epoxy type adhesives.



Premium Basin Wastes (AVAILABLE SEPARATELY)

POP-OUT BASIN WASTE – CERAMIC CAP + CHROME BASE

192257	Ceramic Pop-out Basin Waste, White Silk Matte
192258	Ceramic Pop-out Basin Waste, White Gloss

(Note: Ceramic cap also available in other colours.)

POP-OUT BASIN WASTE – COLOUR METAL CAP + BASE

192010	Pop-out Basin Waste – Chrome
192012	Pop-out Basin Waste – Brushed Nickel
192199	Pop-out Basin Waste – Gunmetal
192013	Pop-out Basin Waste – Brushed Gold
192009	Pop-out Basin Waste – White Matte
192011	Pop-out Basin Waste – Black Matte



basin wastes

SEIMA

kitchen + laundry + bathroom ware

seima.com.au

Please note

- All measurements are in millimetres.
- Dimensions are nominal and subject to normal ceramic manufacturing variations of ± 5 mm.
- Wastes, taps and bottle traps shown in images are not included unless specified.
- Fixing: Use silicone sealant. Do not use epoxy type adhesives.
- Always use the actual basin to verify cutout.
- Specifications may vary without notice as part of our continuous improvement practices.
- Clean with a damp cloth. Do not use abrasive cleaners, liquids or pastes.