

Plati Wall Faced

Collection: Elevate



Ceramic Wall Faced toilet suite Rimless Clean Flush

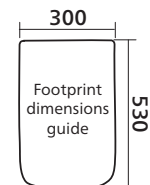
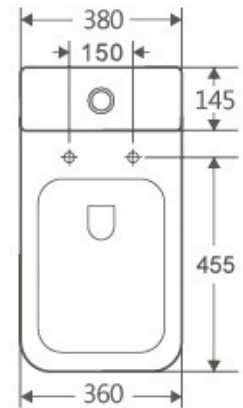
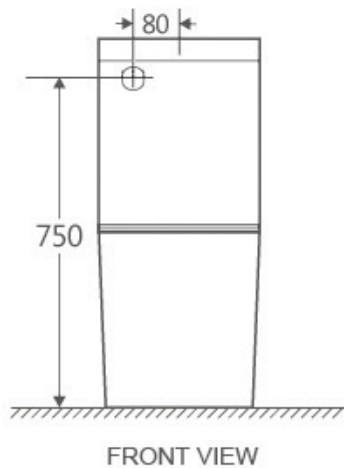
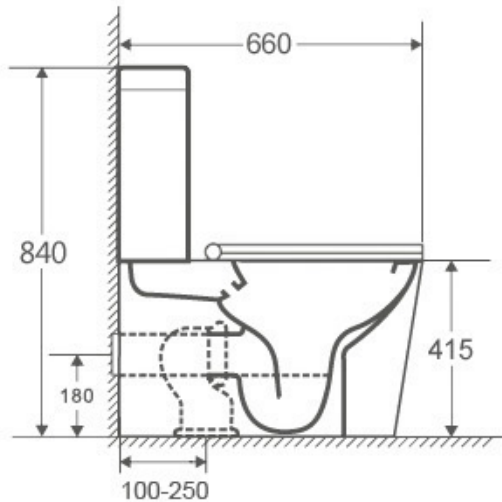
- Square minimalist design, sits flat against wall
- Clean Flush rimless pan design for an efficient, powerful flush
- White vitreous china with Nanoglaze surface, easy to clean
- Soft-close, easy-clean quick release seat with stainless steel pins
- S or P trap
- Universal cistern, suits back entry or bottom entry plumbing


Order codes

192273 Plati Wall Faced

Product details

CISTERN	Universal, suits back entry inlet or bottom entry plumbing. Left and right bottom entry inlet points.
PAN	Wall faced close coupled with rimless pan design.
TRAPS	Universal trap, suitable for S or P trap installations.
SEAT	Quick release seat with stainless steel hinges, soft closing.
WELS	4 star rating 4.5/3 litre water saving flush.
SETOUT	Variable 100-250 mm using supplied connector.
FIXING	This is a close coupled toilet suite — the cistern is fixed directly to the pan and does not require wall fixing. Pan may be bedded with cement base or using silicone sealant.



 Rimless Clean Flush pan – for an efficient, powerful flush.

SEIMA

kitchen + laundry + bathroom ware

seima.com.au

Please note

- Installation shall be in accordance with AS/NZS3500.
- All measurements are in millimetres. Height dimensions are to base of pan. Make allowance for bedding.
- Bedding: Pan may be bedded with cement base or using silicone sealant. Fix pan to floor using a sand cement mixture of 3:1 to a depth of 60mm. Do not use lime or fast-drying cement.

- Bracket fixing: The pan should be bedded with silicone sealant and fixed with the brackets supplied.
- Do NOT use epoxy type adhesives.
- Dimensions are nominal and subject to normal ceramic manufacturing variations.
- Specifications may vary without notice as part of our continuous improvement practices.
- Clean with a damp cloth. Do not use abrasive cleaners, liquids or pastes.