

Plati Floor Mount

Collection: Elevate



Floor mount toilet suite • Clean Flush

Sleek style and efficient performance in a premium space-saving toilet system with hidden cistern and pneumatic flush.

Pan – details:

- Square minimalist design, sits flat against wall
- Clean Flush rimless pan design for an efficient, powerful flush
- White vitreous china, easy to clean
- Flat seat design, soft closing
- Easy-clean quick release seat with stainless steel pins
- P trap

In-wall cistern – details:

- Hidden cistern activated through a premium pneumatic system connected to the flush plate buttons
- Fully insulated with anti-condensation foam to prevent moisture escape
- Easy to install and service through the flush plate
- WELS 4 star 4.5/3L water saving flush

Order codes

PAN AND SEAT ONLY (NO CISTERN)

191256 Plati FM pan with Flat seat

SUITE WITH C100 CISTERN (80MM THICK)

192463 Plati FM pan with Flat seat, C100 cistern

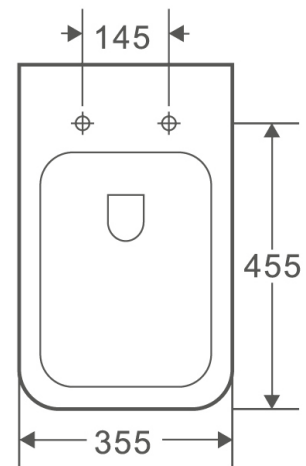
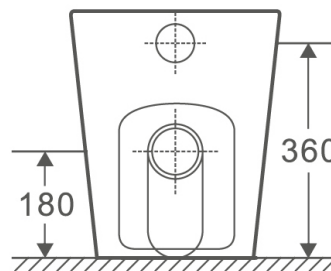
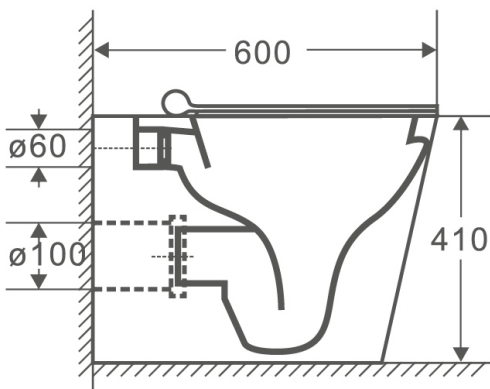
SUITE WITH C101 CISTERN (130MM THICK)


192464 Plati FM pan with Flat seat, C101 cistern

Order flush buttons separately.

Product details

PAN	Floor Mount pan with rimless Clean Flush pan design.
MATERIAL	White vitreous china.
TRAPS	Suitable for P trap installation only.
SEAT	Quick release seat with stainless steel hinges, soft closing.
FIXING	Pan may be bedded with cement base or using silicone sealant.



 Rimless Clean Flush pan – for an efficient, powerful flush.

SEIMA

kitchen + laundry + bathroom ware

seima.com.au

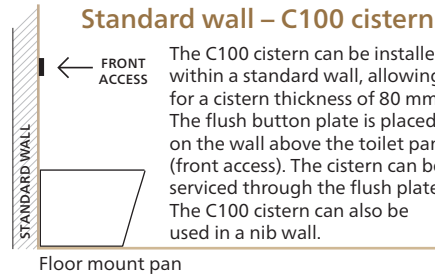
Please note

- Installation shall be in accordance with AS/NZS3500.
- All measurements are in millimetres. Height dimensions are to base of pan. Make allowance for bedding.
- Bedding: Pan may be bedded with cement base or using silicone sealant. Fix pan to floor using a sand cement mixture of 3:1 to a depth of 60mm. Do not use lime or fast-drying cement.

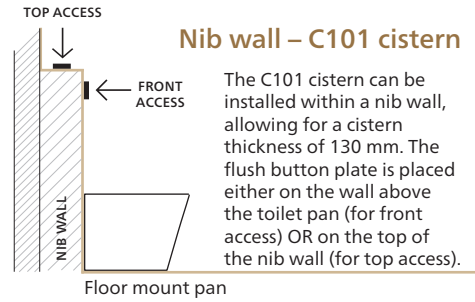
- Bracket fixing: The pan should be bedded with silicone sealant and fixed with the brackets supplied.
- Do NOT use epoxy type adhesives.
- Dimensions are nominal and subject to normal ceramic manufacturing variations.
- Specifications may vary without notice as part of our continuous improvement practices.
- Clean with a damp cloth. Do not use abrasive cleaners, liquids or pastes.

Plati Floor Mount Data sheet page 2

Installation types for FLOOR MOUNT TOILETS



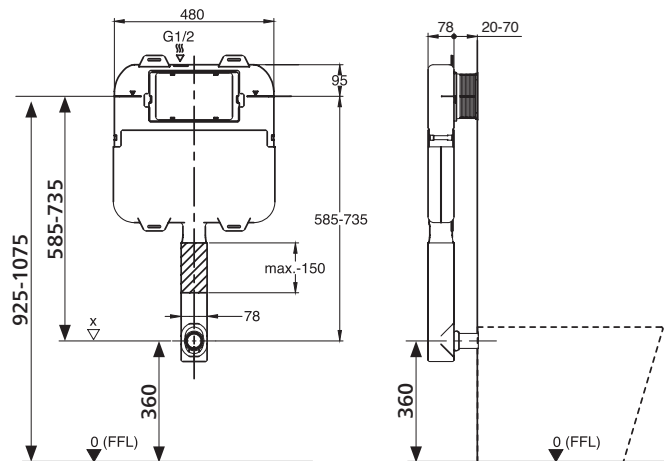
The C100 cistern can be installed within a standard wall, allowing for a cistern thickness of 80 mm. The flush button plate is placed on the wall above the toilet pan (front access). The cistern can be serviced through the flush plate. The C100 cistern can also be used in a nib wall.



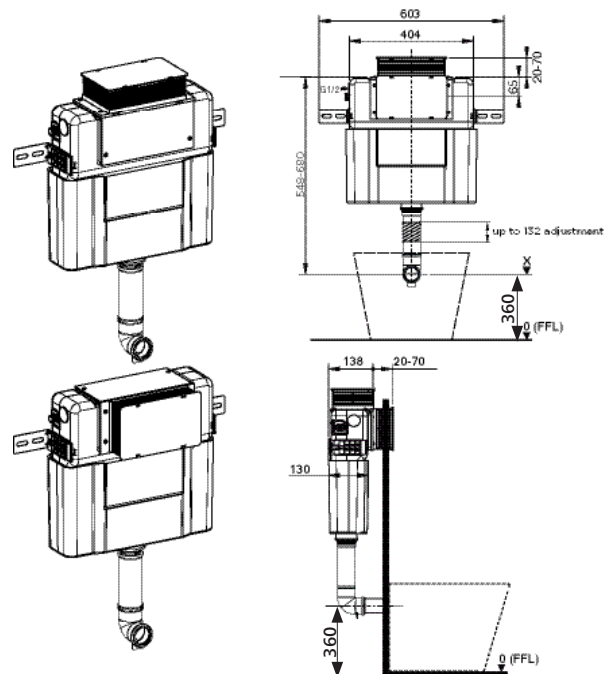
Nib wall – C101 cistern

The C101 cistern can be installed within a nib wall, allowing for a cistern thickness of 130 mm. The flush button plate is placed either on the wall above the toilet pan (for front access) OR on the top of the nib wall (for top access).

Plati Floor Mount pan + C100 In-wall slim cistern



Plati Floor Mount pan + C101 In-wall nib wall cistern



SEIMA

kitchen + laundry + bathroom ware

seima.com.au

Please note

- Installation shall be in accordance with AS/NZS3500.
- All measurements are in millimetres. Height dimensions are to base of pan. Make allowance for bedding.
- Bedding: Pan may be bedded with cement base or using silicone sealant. Fix pan to floor using a sand cement mixture of 3:1 to a depth of 60mm. Do not use lime or fast-drying cement.

- Bracket fixing: The pan should be bedded with silicone sealant and fixed with the brackets supplied.
- Do NOT use epoxy type adhesives.
- Dimensions are nominal and subject to normal ceramic manufacturing variations.
- Specifications may vary without notice as part of our continuous improvement practices.
- Clean with a damp cloth. Do not use abrasive cleaners, liquids or pastes.