

Verso 211 Sink Mixer



Swivel sink mixer

Product features

- Swivel spout
- Durable, high quality Chrome finish
- Solid brass construction

Product details

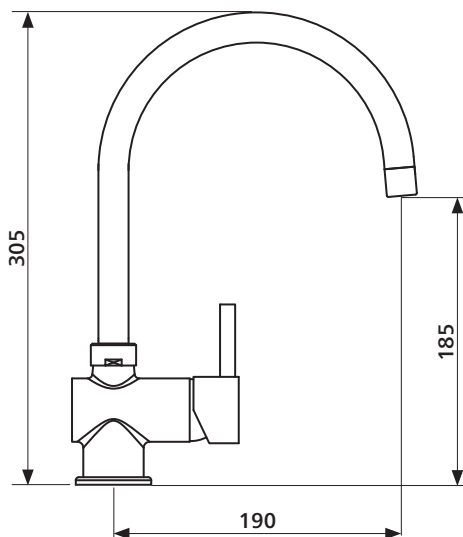
CARTRIDGE	Ceramic cartridge.
MATERIAL	Solid brass construction.

Ratings and installation

WELS RATING	5 Star 5.5 L/min. Reg No T38137. WELS Licence 0296. WM Licence 21678.
PRESSURE	150 – 500kPa.
TEMPERATURE	Maximum water temperature 75°C.
INSTALLATION	Must be installed by a licensed plumber. Taphole: 35mm.

Order codes

191730	Verso 211 sink mixer	Old code: SMT-211K
--------	----------------------	--------------------



SEIMA

kitchen + laundry + bathroom ware

seima.com.au

Please note

- All measurements are in millimetres.
- Fixing: Use silicone sealant. Do not use epoxy type adhesives.
- Use the actual product to verify installation details.
- Specifications may vary without notice as part of our continuous improvement practices.
- Clean with a damp cloth. Do not use abrasive cleaners, liquids or pastes.