

Verso 210 sink mixer



Swivel sink mixer

The Verso Series of tapware presents a sleek cylindrical design with fine lever handle. The sleek styling will complement classic and contemporary spaces.

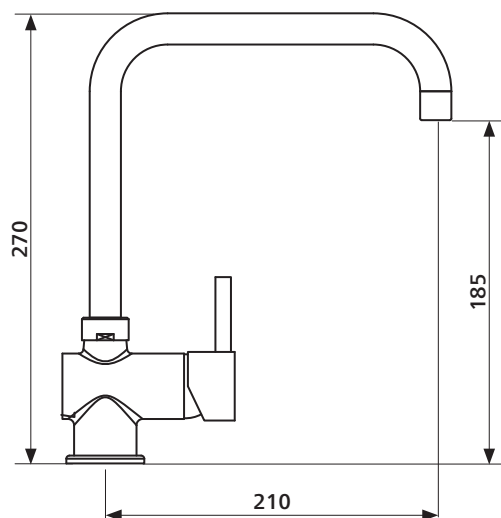
Order codes

191729 Verso 210 sink mixer

Old code: SMT-210K

Product details

WELS	5 star rating, 6.0L/min (T25645)
HANDLE	Lever handle
TAPHOLE	35 mm
CARTRIDGE	Ceramic cartridge
MATERIAL	Chrome plated solid brass construction
OTHER	Hot and cold indicators



SEIMA

kitchen + laundry + bathroom ware

seima.com.au

Please note

- All measurements are in millimetres.
- Fixing: Use silicone sealant. Do not use epoxy type adhesives.
- Use the actual product to verify installation details.
- Specifications may vary without notice as part of our continuous improvement practices.
- Clean with a damp cloth. Do not use abrasive cleaners, liquids or pastes.