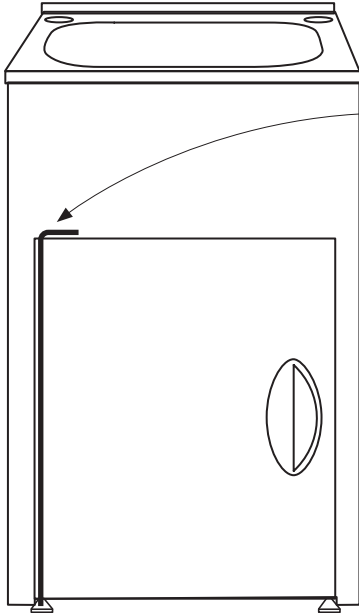
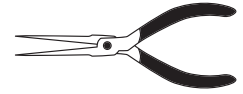


# Tilos Laundry Unit

## How to reverse the door opening

Recommended tool:  
long nose pliers



The door is held in place by a **long metal pin** with a bend at the top.

To reverse the door opening, the pin can be swapped to the other side of the cabinet.

### Threading sequence

The pin is threaded in the following sequence:

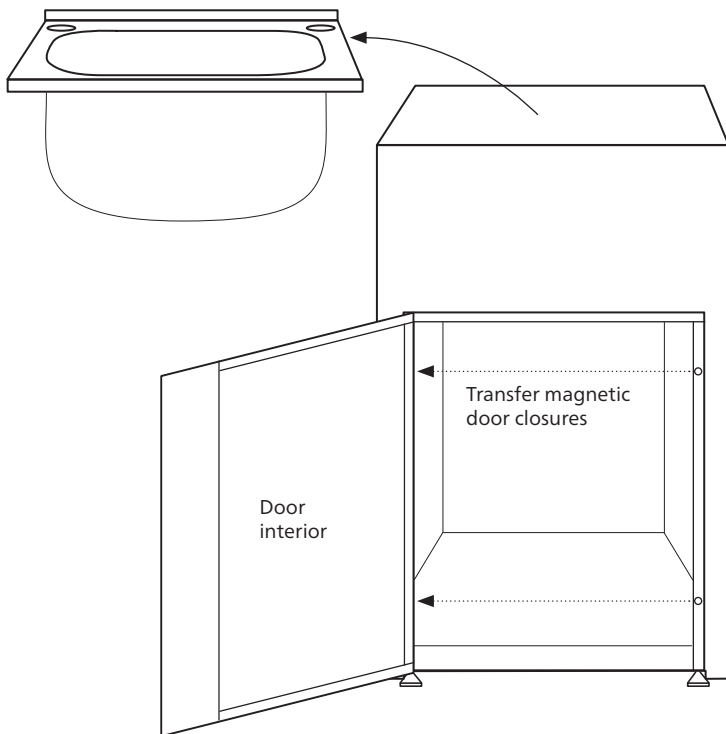
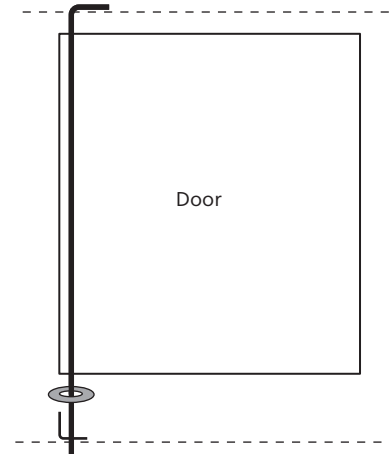
- 1 Through the hole in the frame at the top of the unit door opening
- 2 Then through the holes in the door
- 3 Then into a small washer
- 4 Then finally into the hole in the metal 'L' bracket at the base of the unit

### Important notes

The washer must be placed between the door and metal 'L' bracket at the base of the unit.

The magnetic door closures need to be transferred to the other side of the cabinet.

Threading sequence for metal pin:



### Instructions

- 1 First, remove the sink from the cabinet to access the door pin from inside the cabinet.
- 2 Remove the long pin to free the door.
- 3 Unscrew the magnetic door closures and refasten these on the other side of the door opening.
- 4 Reverse the door, and re-thread the pin on the other side. See threading sequence above.

# SEIMA

kitchen + laundry + bathroom ware

seima.com.au

### Please note

- All measurements are in millimetres.
- Use silicone sealant. Do not use epoxy type adhesives.
- Specifications may vary without notice as part of our continuous improvement practices.
- Clean with a damp cloth. Do not use abrasive cleaners, liquids or pastes.