

Tetra 775

Collection: Fusion



Sink art. Bold, minimalist aesthetic.

- Handcrafted excellence
- Undermount or above-mount

Create an atmosphere of design excellence with a Tetra handcrafted stainless steel sink. Inspired by a strong reductive aesthetic, the Tetra series perfectly complements minimalist and contemporary architectural design. Superior edge finish means that Tetra sinks are suitable for above-mount or under-mount installation.

- minimalist bold design, refined industrial aesthetic
- beautiful lines and geometries
- highest quality individually handcrafted
- designed for above-mount or under-mount installation, superior edge finish
- 1.2mm thick premium 304 grade stainless steel
- sleek brushed satin finish
- deep, large capacity bowls
- easy to clean corners, 10mm radii
- sound deadening
- distinctive square basket waste

Order codes

191701 Tetra 775

old code: SKS-T775

Product details

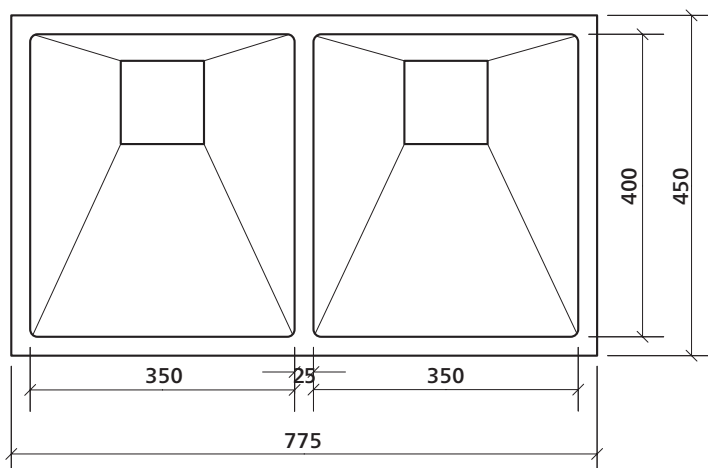
SUMMARY Two bowls

WASTE Includes square basket waste

BOWL SIZE Each bowl 350 x 400 mm, 225 mm deep

CAPACITY 33 litres each bowl

ACCESSORIES A variety of accessories is available.



SEIMA

kitchen + laundry + bathroom ware

seima.com.au

Please note

- All measurements are in millimetres.
- Always use the actual product to verify cutout.
- Use silicone sealant. Do not use epoxy type adhesives.
- Specifications may vary without notice as part of our continuous improvement practices.