

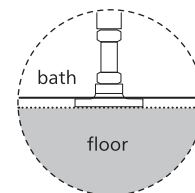
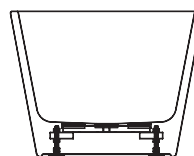
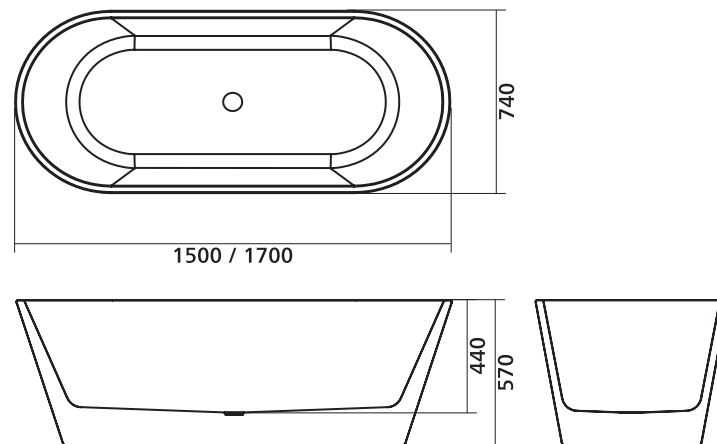
# Syros 105 freestanding bath with integrated overflow

## Important – read this first!


- 1 Inspect the bath **before installation** to ensure there are no visible defects. If a defect is found, do not install the bath and contact the supplier immediately. Claims for defects will not be accepted after the product has been installed.
- 2 The bath must be installed by a **licensed tradesperson**. Failure to do so may void the warranty.
- 3 Compliance with **AS.3740 Waterproofing of Wet Areas within Residential Buildings** applies when installing baths.
- 4 **Local authorities** may have specific installation requirements and this should be checked before installation.
- 5 Grade the **bath sub-floor** in accordance with requirements of local authorities. Grade sub-floor 1:60 minimum.

## Installation notes

- 1 Can be installed using a flexible connector pipe (not supplied).
- 2 Suits 40 mm waste (not supplied).
- 3 Use acetic cured silicone sealant. Do not use epoxy type adhesives.
- 4 Always use the actual product to verify placement.
- 5 The bath is supplied with four adjustable support feet on the base frame of the bath. Position the bath and use the adjustable feet to level the bath. Leave a 3mm void between the base of the bath and the floor. Use silicone around the base to seal the bath to the floor. Allow a 20mm gap in the silicone seal as a weephole (gap is designed to reveal any plumbing leakage).



Leave a 3mm gap between base of bath and floor. Use silicone to seal base of bath to floor, leaving a 20mm weephole.

 Bath has integrated overflow.

# SEIMA

kitchen + laundry + bathroom ware

seima.com.au

### Please note

- All measurements are in millimetres.
- Dimensions are nominal and subject to normal ceramic manufacturing variations of  $\pm 5$ mm.
- Fixing: Use acetic cured silicone sealant. Do not use epoxy type adhesives.
- Specifications may vary without notice as part of our continuous improvement practices.
- Clean with a damp cloth. Do not use abrasive cleaners, liquids or pastes.