

Plati 209

Collection: Elevate
Former name: Kyra 209



Under counter basin, square

The modern styling and generous capacity of this square undermount basin will complement any contemporary bathroom. Suits solid surface benchtops.

Order codes

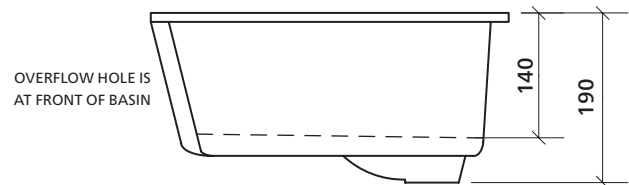
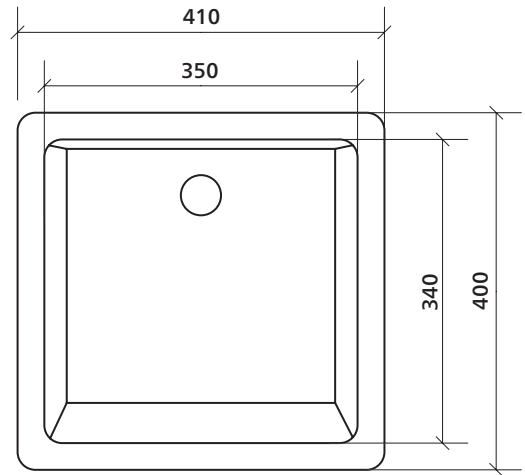
191479 Plati 209 basin

Old code: SBC-209


Product details

TAPHOLE	No taphole.
WASTE	Suits standard 32 mm waste with overflow (not supplied).
OVERFLOW	Overflow is at front of basin.
MATERIAL	White vitreous china.
FIXING	Refer to benchtop manufacturer's instructions for fixing basin to benchtop.

Use silicone sealant. Do not use epoxy type adhesives.
Always use the actual basin to verify cutout.



Plati 209

 Basin has integrated overflow.

Premium Basin Wastes (AVAILABLE SEPARATELY)

POP-OUT BASIN WASTE – WITH CERAMIC CAP AND CHROME BASE

192258 Ceramic Pop-out Basin Waste, White Gloss
(Note: Ceramic caps are also available in other colours and finishes)

POP-OUT BASIN WASTE – WITH METAL CAP AND MATCHING BASE

192010	Pop-out Basin Waste – Chrome
192012	Pop-out Basin Waste – Brushed Nickel
192199	Pop-out Basin Waste – Gunmetal
192013	Pop-out Basin Waste – Brushed Gold
192009	Pop-out Basin Waste – White Matte
192011	Pop-out Basin Waste – Black Matte



basin wastes

SEIMA

kitchen + laundry + bathroom ware

seima.com.au

Please note

- All measurements are in millimetres.
- Dimensions are nominal and subject to normal ceramic manufacturing variations of ± 5 mm.
- Wastes, taps and bottle traps shown in images are not included unless specified.
- Fixing: Use silicone sealant. Do not use epoxy type adhesives.
- Always use the actual basin to verify cutout.
- Specifications may vary without notice as part of our continuous improvement practices.
- Clean with a damp cloth. Do not use abrasive cleaners, liquids or pastes.