

Plati 030

Collection: Elevate

Former name: Plati 030



Above counter basin, rectangular – Slimline Series

The refined characteristics of the Slimline basins will bring a sense of purity and natural elegance to any bathroom.

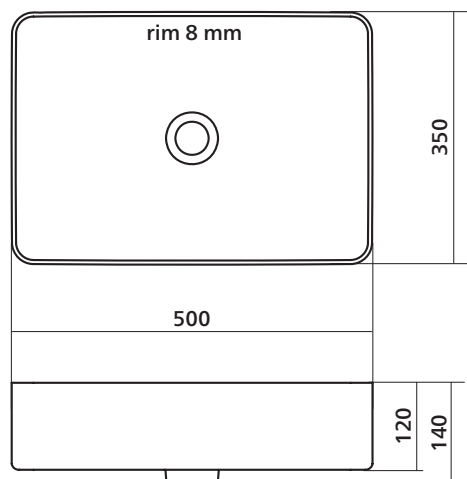
The superfine rim and slender, precise lines of the Slimline Series of basins are made possible through the superior properties of Superclay, an exceptionally durable ceramic that has a 20% higher tensile strength than normal ceramic.

Order codes

191465 Plati 030, White Gloss, with Nanoglaze Old code: SBC-030
 191466 Plati 030, Black Silk Matte Old code: SBC-030K

Product details


TAPHOLE No taphole.
WASTE Suits standard 32 mm non-overflow waste (not supplied).
OVERFLOW No overflow.
MATERIAL Vitreous china. White basin has ultra-smooth nanoglaze surface. Black basin has silk matte finish.
FIXING Always use the actual basin to verify cutout. Use silicone sealant. Do not use epoxy type adhesives.



white gloss



black matte

 Nanoglaze surface – ultra-smooth, anti-bacterial, easy to clean. (white basins only)

Premium Basin Wastes (AVAILABLE SEPARATELY)

POP-OUT BASIN WASTE – WITH CERAMIC CAP AND CHROME BASE

192258 Ceramic Pop-out Basin Waste, White Gloss
 192259 Ceramic Pop-out Basin Waste, Black Silk Matte
 (Note: Ceramic caps are also available in other colours)

POP-OUT BASIN WASTE – WITH METAL CAP AND MATCHING BASE

192010 Pop-out Basin Waste – Chrome
 192012 Pop-out Basin Waste – Brushed Nickel
 192199 Pop-out Basin Waste – Gunmetal
 192013 Pop-out Basin Waste – Brushed Gold
 192009 Pop-out Basin Waste – White Matte
 192011 Pop-out Basin Waste – Black Matte



basin wastes

SEIMA

kitchen + laundry + bathroom ware

seima.com.au

Please note

- All measurements are in millimetres.
- Dimensions are nominal and subject to normal ceramic manufacturing variations of ± 5 mm.
- Wastes, taps and bottle traps shown in images are not included unless specified.
- Fixing: Use silicone sealant. Do not use epoxy type adhesives.
- Always use the actual basin to verify cutout.
- Specifications may vary without notice as part of our continuous improvement practices.
- Clean with a damp cloth. Do not use abrasive cleaners, liquids or pastes.