

Oros 820


High natural mineral content


Non-porous Stain resistant


Resistant to high temperatures


Scratch resistant Impact resistant


Hygienic Easy to clean

Collection: Fusion

MADE IN EUROPE



Arqstone – Crafted from natural stone – Strong and durable

Arqstone sinks, made in Europe from natural stone, are extremely tough and resistant to high temperatures, scratching and stains. The high density stone surface is easy to clean and the smooth finish ensures a high level of hygiene.

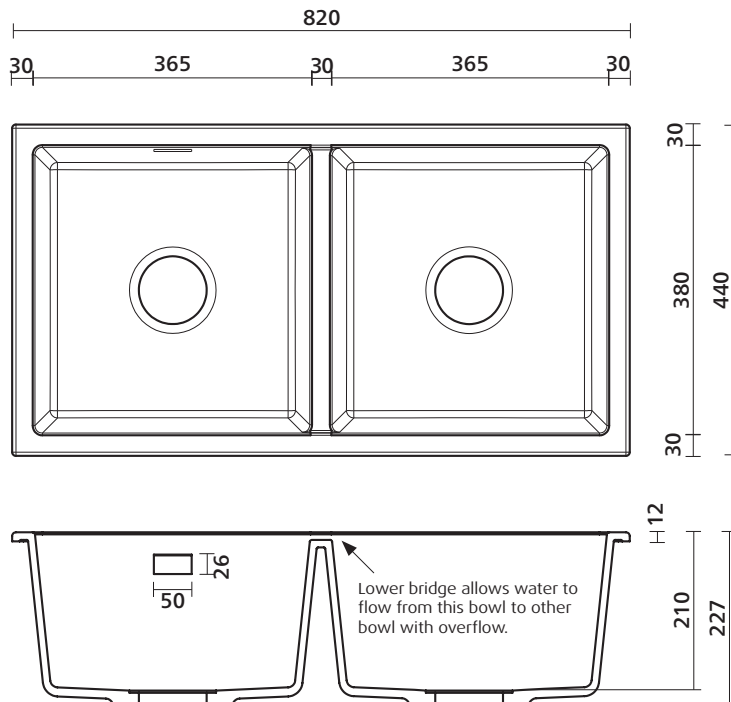
- Square lines, smooth silk matte finish, crafted from pure natural quartz aggregate and resins
- Suits undermount or abovemount installation
- Exceptionally strong and durable
- Deep, large capacity bowls, easy to clean corners, 10mm radii
- Stainless steel basket waste

Order codes

191038 Oros 820 – White
191040 Oros 820 – Black

Product details

SUMMARY Two bowls, one with integrated overflow
COLOURS Available in Arqstone white and black
OVERFLOW Integrated overflow
WASTE 90 mm stainless steel basket waste
SIZE Each bowl 365 x 380 mm, 210 mm deep, rim 30 mm, bridge between bowls 30 mm



Optional extras



Colour wastes and overflow plates


- Black
- White
- Gunmetal
- Brushed Gold
- Brushed Nickel (supplied)

Sinks are supplied with a Stainless Steel/Brushed Nickel waste and overflow plate as standard. Colour wastes/overflow plates are optional extras.

Sink accessories

Available for most sinks



 Sink has integrated overflow

SEIMA

kitchen + laundry + bathroom ware

seima.com.au

Please note

- All measurements are in millimetres.
- Stone sinks: Dimensions are subject to normal manufacturing variations of ±3mm.
- Always use the actual product to verify cutout.
- Use silicone sealant. Do not use epoxy type adhesives.
- Specifications may vary without notice as part of our continuous improvement practices.

Scan for more about Arqstone sinks

