

# Oros 750

  
High natural mineral content

  
Non-porous Stain resistant

  
Resistant to high temperatures

  
Scratch resistant Impact resistant

  
Hygienic Easy to clean

Collection: Fusion

MADE IN EUROPE



## Arqstone – Crafted from natural stone – Strong and durable

Arqstone sinks, made in Europe from natural stone, are extremely tough and resistant to high temperatures, scratching and stains. The high density stone surface is easy to clean and the smooth finish ensures a high level of hygiene.

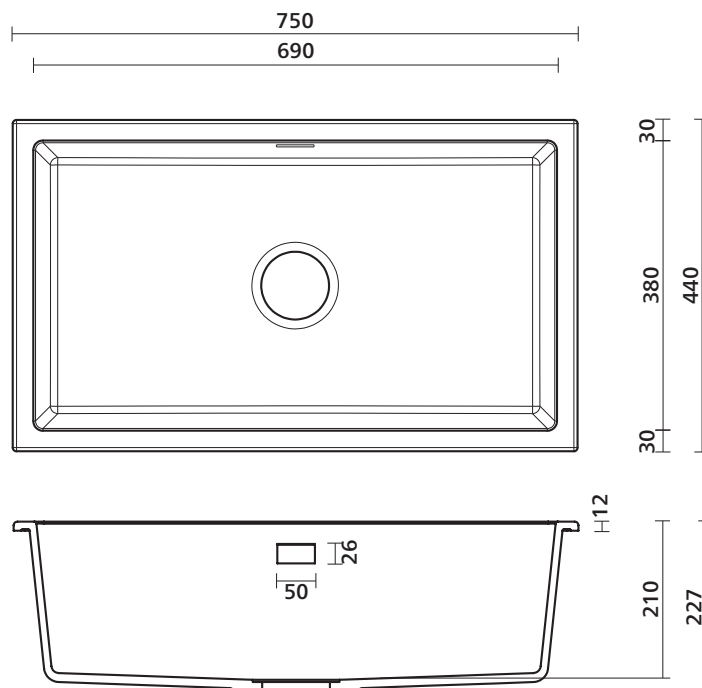
- Square lines, smooth silk matte finish, crafted from pure natural quartz aggregate and resins
- Suits undermount or abovemount installation
- Exceptionally strong and durable
- Deep, large capacity bowl, easy to clean corners, 10mm radii
- Stainless steel basket waste

### Order codes

191035 Oros 750 – White  
191037 Oros 750 – Black

### Product details

**SUMMARY** Single bowl with integrated overflow  
**COLOURS** Available in Arqstone white and black  
**OVERFLOW** Integrated overflow  
**WASTE** 90 mm stainless steel basket waste  
**SIZE** 690 x 380 mm, 210 mm deep, rim 30 mm  
**CAPACITY** 34 litres capacity to overflow exit point



### Optional extras



### Colour wastes and overflow plates


- Black
- White
- Gunmetal
- Brushed Gold
- Brushed Nickel (supplied)

Sinks are supplied with a Stainless Steel/Brushed Nickel waste and overflow plate as standard. Colour wastes/overflow plates are optional extras.

### Sink accessories

Available for most sinks



 Sink has integrated overflow

# SEIMA

kitchen + laundry + bathroom ware

seima.com.au

### Please note

- All measurements are in millimetres.
- Stone sinks: Dimensions are subject to normal manufacturing variations of ±3mm.
- Always use the actual product to verify cutout.
- Use silicone sealant. Do not use epoxy type adhesives.
- Specifications may vary without notice as part of our continuous improvement practices.

Scan for more about Arqstone sinks

