

# Oros 510

  
High natural  
mineral content

  
Non-porous  
Stain resistant

  
Resistant to high  
temperatures

  
Scratch resistant  
Impact resistant

  
Hygienic  
Easy to clean

Collection: Fusion  
Former name: Icaria

MADE IN  
EUROPE



## Arqstone – Crafted from natural stone – Strong and durable

Arqstone sinks, made in Europe from natural stone, are extremely tough and resistant to high temperatures, scratching and stains. The high density stone surface is easy to clean and the smooth finish ensures a high level of hygiene.

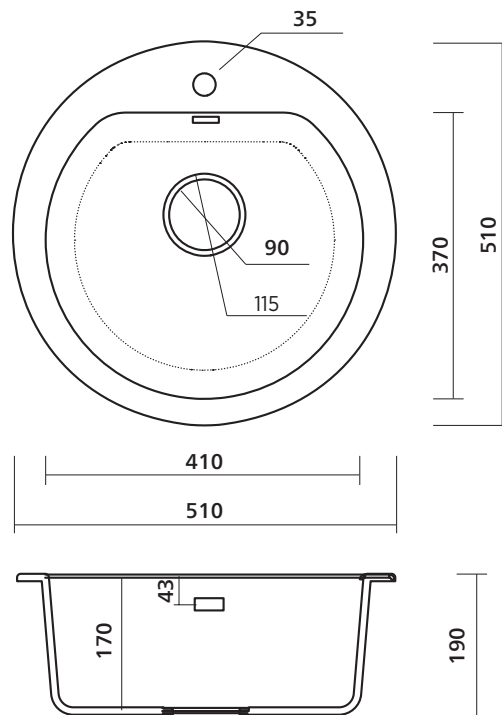
- Smooth silk matte finish, crafted from pure natural quartz aggregate and resins
- Designed for abovemount installation
- Exceptionally strong and durable
- Deep, large capacity bowl, easy to clean corners, 10mm radii
- Stainless steel basket waste

### Order codes

191074 Oros 510 – White, 1 taphole  
191076 Oros 510 – Black, 1 taphole

### Product details

**SUMMARY** Single round bowl sink with integrated overflow  
**COLOURS** Available in Arqstone white and black  
**TAPHOLES** 1 taphole  
**OVERFLOW** Integrated overflow  
**WASTE** 90 mm stainless steel basket waste  
**SIZE** Overall size 510 mm diameter x 190 mm deep.  
Bowl depth 170 mm.



### Optional extras



### Colour wastes and overflow plates


- Black
- White
- Gunmetal
- Brushed Gold
- Brushed Nickel (supplied)

Sinks are supplied with a Stainless Steel/Brushed Nickel waste and overflow plate as standard. Colour wastes/overflow plates are optional extras.

### Sink accessories

Available for most sinks



 Sink has integrated overflow

# SEIMA

kitchen + laundry + bathroom ware

seima.com.au

### Please note

- All measurements are in millimetres.
- Stone sinks: Dimensions are subject to normal manufacturing variations of  $\pm 3$ mm.
- Always use the actual product to verify cutout.
- Use silicone sealant. Do not use epoxy type adhesives.
- Specifications may vary without notice as part of our continuous improvement practices.

Scan for more about  
Arqstone sinks

