

Modia Floor Mount

Collection: Elevate
Former name: Modia Floor Mount



Floor mount toilet suite • Clean Flush, Nanoglaze, Easy Care Height

Sleek style and efficient performance in a premium space-saving toilet system with hidden cistern and pneumatic flush.

Pan – details:

- Stylish minimalist design, sits flat against wall
- Clean Flush rimless pan, Nanoglaze finish, Easy Care Height pan
- Compliant with AS1428.1 Ambulant guidelines
- White vitreous china with nanoglaze surface, easy to clean
- Soft-closing, easy-clean quick release seat with stainless steel pins
- S or P trap

In-wall cistern – details:

- Hidden cistern activated through a premium pneumatic system
- Fully insulated with anti-condensation foam to prevent moisture escape
- Easy to install and service through the flush plate
- WELS 4 star 4.5/3L water saving flush

Order codes

PAN AND SEAT ONLY (NO CISTERN)

191771	Modia FM pan, Deluxe seat	Old code: STO-307-02
191770	Modia FM pan, Slim seat	Old code: STO-307-01
191841	Modia FM pan, Flat seat	Old code: n/a
191769	Modia FM pan, Classic seat	Old code: STO-307-00

TOILET SUITE – STANDARD WALL INSTALLATION – C100 CISTERN (80MM THICK)

191774	Modia FM suite, C100 cistern Deluxe seat	Old code: STO-307-12
191773	Modia FM suite, C100 cistern, Slim seat	Old code: STO-307-11
191850	Modia FM suite, C100 cistern, Flat seat	Old code: n/a
191772	Modia FM suite, C100 cistern, Classic seat	Old code: STO-307-10





TOILET SUITE – NIB WALL INSTALLATION – C101 CISTERN (130MM THICK)

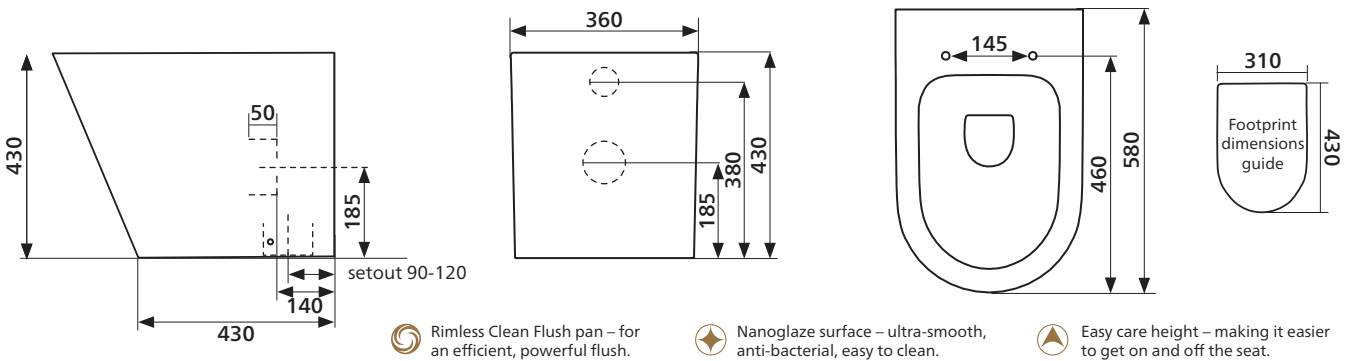
191906	Modia FM suite, C101 cistern, Deluxe seat
191907	Modia FM suite, C101 cistern, Slim seat
191908	Modia FM suite, C101 cistern, Flat seat
191909	Modia FM suite, C101 cistern, Classic seat

Order flush buttons separately.

PAN	Wall faced with rimless Clean Flush pan design.
MATERIAL	White vitreous china.
TRAPS	Universal trap, suitable for S or P trap installations.
SEAT	Quick release seat with stainless steel hinges, soft closing.
SETOUT	Variable 90-120 mm using supplied connector.
FIXING	Pan may be bedded with cement base or using silicone sealant.

Toilet seat options. Our premium toilet seats are made from Thermostet, a rigid, ceramic-like material that is anti-scratch and easy to clean.

Premium Thermostet (UF)		DELUXE SEAT		SLIM SEAT		FLAT SEAT	Thermoplastic (PP)		CLASSIC SEAT
	<ul style="list-style-type: none"> – 40 mm lid profile – Premium quality – Easy to clean, anti-scratch – Rigid, ceramic-like surface – Made from Thermostet (UF) 	<ul style="list-style-type: none"> – 20 mm lid profile – Premium quality – Easy to clean, anti-scratch – Rigid, ceramic-like surface – Made from Thermostet (UF) 	<ul style="list-style-type: none"> – Flat lid and seat – Premium quality – Easy to clean, anti-scratch – Rigid, ceramic-like surface – Made from Thermostet (UF) 	<ul style="list-style-type: none"> – 40 mm lid profile – Lightweight, shiny finish – Easy to clean – Made from Thermoplastic (PP) 					



SEIMA

kitchen + laundry + bathroom ware

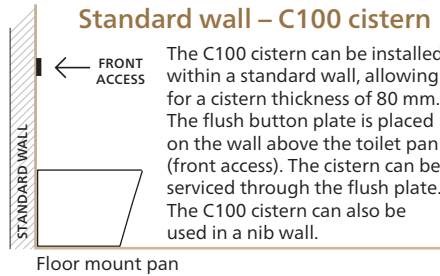
seima.com.au

Please note

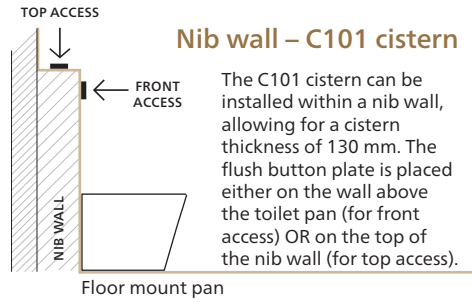
- Installation shall be in accordance with AS/NZS3500.
- All measurements are in millimetres. Height dimensions are to base of pan. Make allowance for bedding.
- Bedding: Pan may be bedded with cement base or using silicone sealant. Fix pan to floor using a sand cement mixture of 3:1 to a depth of 60mm. Do not use lime or fast-drying cement.

- Bracket fixing: The pan should be bedded with silicone sealant and fixed with the brackets supplied.
- Do NOT use epoxy type adhesives.
- Dimensions are nominal and subject to normal ceramic manufacturing variations.
- Specifications may vary without notice as part of our continuous improvement practices.
- Clean with a damp cloth. Do not use abrasive cleaners, liquids or pastes.

Installation types for FLOOR MOUNT TOILETS

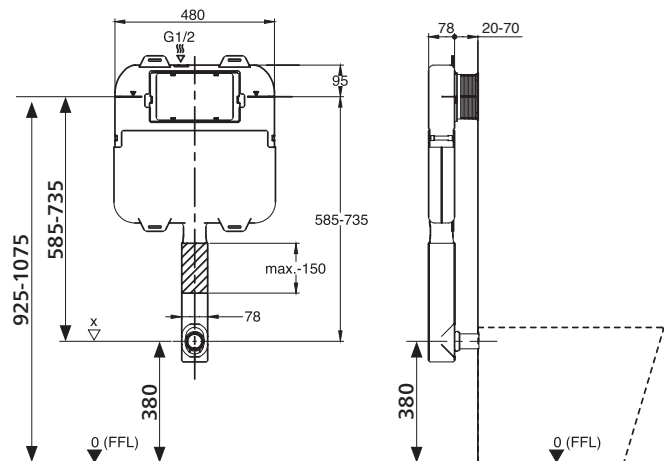


The C100 cistern can be installed within a standard wall, allowing for a cistern thickness of 80 mm. The flush button plate is placed on the wall above the toilet pan (front access). The cistern can be serviced through the flush plate. The C100 cistern can also be used in a nib wall.

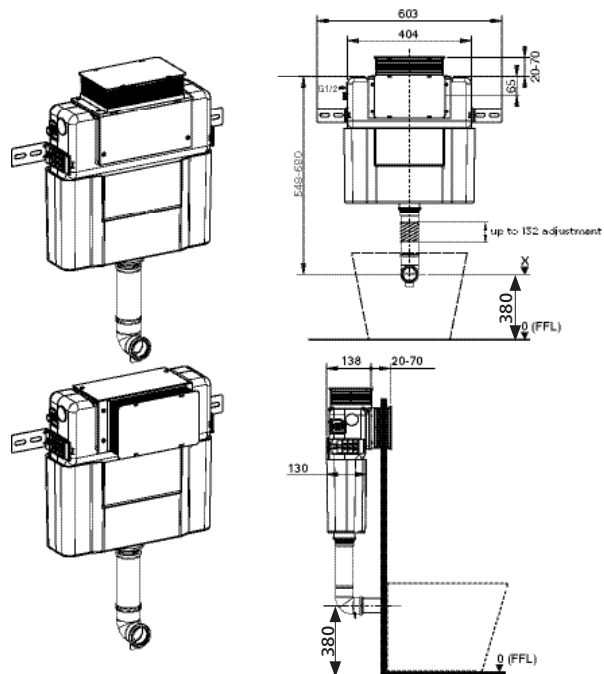


The C101 cistern can be installed within a nib wall, allowing for a cistern thickness of 130 mm. The flush button plate is placed either on the wall above the toilet pan (for front access) OR on the top of the nib wall (for top access).

MODIA FLOOR MOUNT pan + C100 IN-WALL SLIM cistern



MODIA FLOOR MOUNT pan + C101 IN-WALL UNDERCOUNTER cistern



SEIMA

kitchen + laundry + bathroom ware

seima.com.au

Please note

- Installation shall be in accordance with AS/NZS3500.
- All measurements are in millimetres. Height dimensions are to base of pan. Make allowance for bedding.
- Bedding: Pan may be bedded with cement base or using silicone sealant. Fix pan to floor using a sand cement mixture of 3:1 to a depth of 60mm. Do not use lime or fast-drying cement.

- Bracket fixing: The pan should be bedded with silicone sealant and fixed with the brackets supplied.
- Do NOT use epoxy type adhesives.
- Dimensions are nominal and subject to normal ceramic manufacturing variations.
- Specifications may vary without notice as part of our continuous improvement practices.
- Clean with a damp cloth. Do not use abrasive cleaners, liquids or pastes.