

# Megalo Duo spray mixer



## Professional hand spray mixer with separate swivel tap

Exceptionally useful and versatile sink tools. This mixer provides a high level of control over water flow or spray. The spray function is extremely convenient and flexible for rinsing items like vegetables and plates. You can extend the nozzle beyond the sink area — great for filling large pots and vases, for example.

- Flexible hand shower
- Fully adjustable spray
- Separate swivel tap
- Premium quality, chrome finish

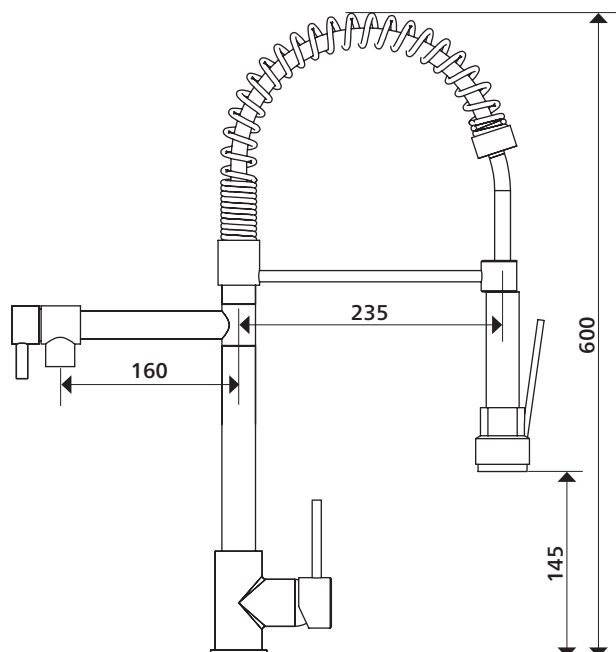
## Order codes

191733 Megalo Duo

Old code: SMT-22K

## Product details

|           |  |
|-----------|--|
| WELS      | 4 star rating, 7.5L/min                |
| HANDLE    | Lever handle                           |
| TAPHOLE   | 35 mm                                  |
| CARTRIDGE | Ceramic cartridge                      |
| MATERIAL  | Chrome plated solid brass construction |



# SEIMA

kitchen + laundry + bathroom ware

[seima.com.au](http://seima.com.au)

## Please note

- All measurements are in millimetres.
- Fixing: Use silicone sealant. Do not use epoxy type adhesives.
- Use the actual product to verify installation details.
- Specifications may vary without notice as part of our continuous improvement practices.
- Clean with a damp cloth. Do not use abrasive cleaners, liquids or pastes.