



Wall basin with shelf and integrated overflow

Elegant yet relaxed with flowing lines and curves.

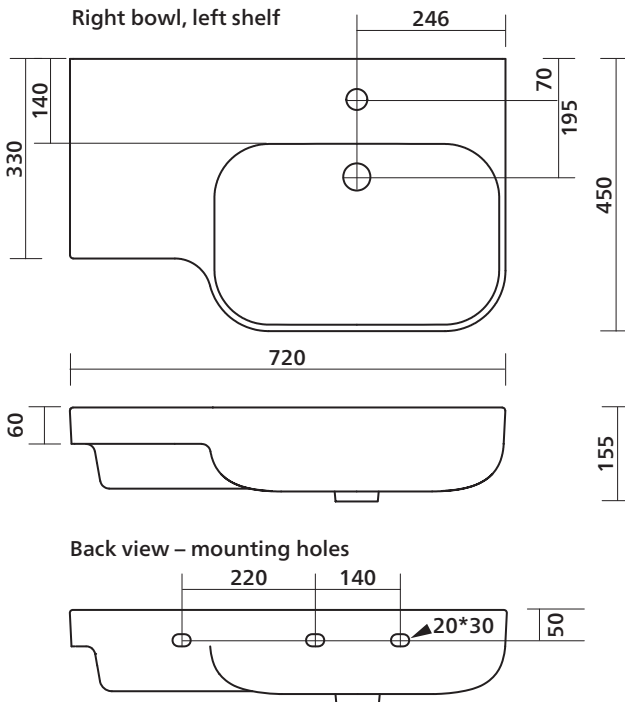
Order codes

RIGHT BOWL, LEFT SHELF
 192303 Limni 720, right bowl + left shelf, no taphole, with overflow
 192304 Limni 720, right bowl + left shelf, 1 taphole, with overflow

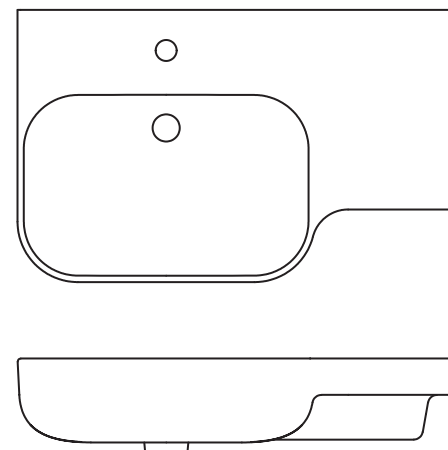
LEFT BOWL, RIGHT SHELF
 192305 Limni 720, left bowl + right shelf, no taphole, with overflow
 192306 Limni 720, left bowl + right shelf, 1 taphole, with overflow

Product details

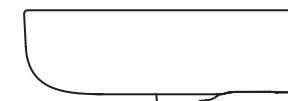
TAPHOLE 0 or 1 taphole.
WASTE Suits 32 mm waste (not supplied).
OVERFLOW Integrated overflow.
MATERIAL Vitreous china.
FINISH Gloss.
COLOUR White.
FIXING Always use the actual basin to verify cutout.
 Back of basin includes mounting holes.
 Use silicone sealant. Do not use epoxy type adhesives.



Left bowl, right shelf



Side view



Premium Basin Wastes (AVAILABLE SEPARATELY)

POP-OUT BASIN WASTE – WITH CERAMIC CAP AND CHROME BASE
 192258 Ceramic Pop-out Basin Waste, White Gloss
 (Note: Ceramic caps are also available in other colours and finishes)


POP-OUT BASIN WASTE – WITH METAL CAP AND MATCHING BASE
 192010 Pop-out Basin Waste – Chrome
 192012 Pop-out Basin Waste – Brushed Nickel
 192199 Pop-out Basin Waste – Gunmetal
 192013 Pop-out Basin Waste – Brushed Gold
 192009 Pop-out Basin Waste – White Matte
 192011 Pop-out Basin Waste – Black Matte



basin wastes



Limni 720 Care

 Basin has integrated overflow.

SEIMA

kitchen + laundry + bathroom ware

seima.com.au

Please note

- All measurements are in millimetres.
- Dimensions are nominal and subject to normal ceramic manufacturing variations of ±5mm.
- Wastes, taps and bottle traps shown in images are not included unless specified.
- Fixing: Use silicone sealant. Do not use epoxy type adhesives.
- Always use the actual basin to verify cutout.
- Specifications may vary without notice as part of our continuous improvement practices.
- Clean with a damp cloth. Do not use abrasive cleaners, liquids or pastes.