

# Kyra 017

Collection: Foundation



## Inset above counter basin, square

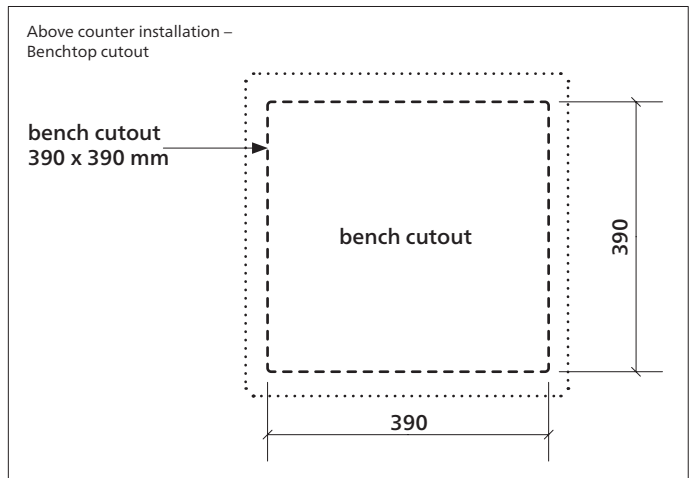
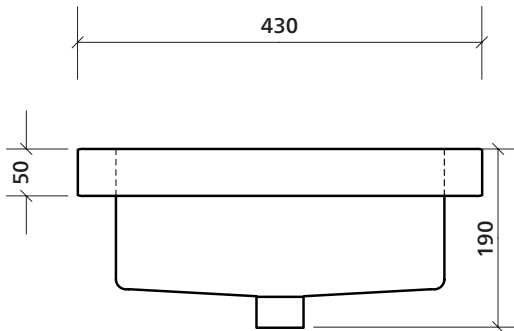
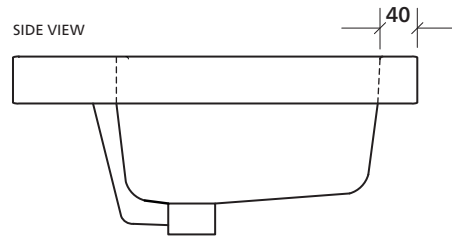
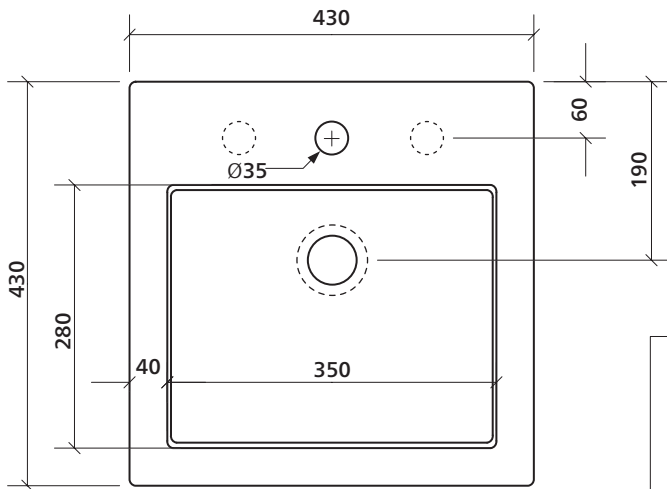
This inset basin has distinctive square styling and generous capacity in a compact space. The basin sits low on the benchtop with most of the basin sitting below. The wide rim enables this inset basin to be used with a variety of benchtop materials.

### Order codes


191447	Kyra 017, white, 1 taphole	Old code: SBC-017
191448	Kyra 017, white, no taphole	Old code: SBC-017-0T
191449	Kyra 017, white, 3 tapholes	Old code: SBC-017-3T

### Product details

TAPHOLE	0, 1 or 3 tapholes.
WASTE	Suits standard 32 mm waste with overflow (not supplied).
CAPACITY	7 litres.
OVERFLOW	Standard with overflow.
MATERIAL	Vitreous china, gloss finish.
FIXING	Always use the actual basin to verify cutout. Use silicone sealant. Do not use epoxy type adhesives.



Kyra 017

 Basin has integrated overflow.

### Premium Basin Wastes (AVAILABLE SEPARATELY)

#### POP-OUT BASIN WASTE – WITH CERAMIC CAP AND CHROME BASE

192258 Ceramic Pop-out Basin Waste, White Gloss  
(Note: Ceramic caps are also available in other colours and finishes)

#### POP-OUT BASIN WASTE – WITH METAL CAP AND MATCHING BASE

192010	Pop-out Basin Waste – Chrome
192012	Pop-out Basin Waste – Brushed Nickel
192199	Pop-out Basin Waste – Gunmetal
192013	Pop-out Basin Waste – Brushed Gold
192009	Pop-out Basin Waste – White Matte
192011	Pop-out Basin Waste – Black Matte



basin wastes

# SEIMA

kitchen + laundry + bathroom ware

seima.com.au

### Please note

- All measurements are in millimetres.
- Dimensions are nominal and subject to normal ceramic manufacturing variations of ±5mm.
- Wastes, taps and bottle traps shown in images are not included unless specified.
- Fixing: Use silicone sealant. Do not use epoxy type adhesives.
- Always use the actual basin to verify cutout.
- Specifications may vary without notice as part of our continuous improvement practices.
- Clean with a damp cloth. Do not use abrasive cleaners, liquids or pastes.