

Kyra 016

Collection: Foundation
Former name: Plati 016



Inset above counter basin, rectangular

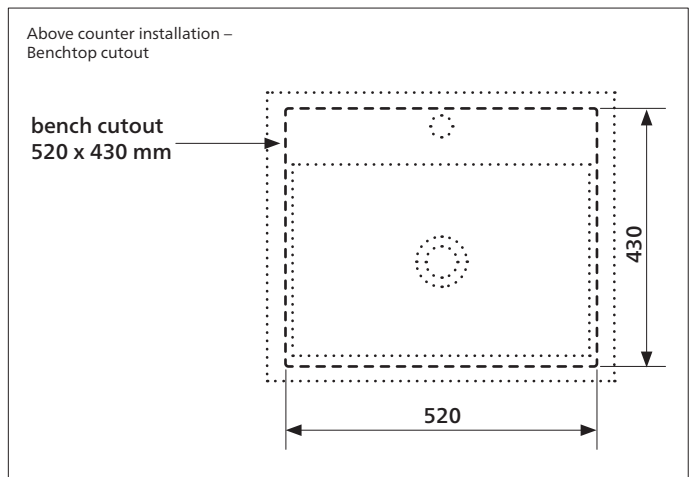
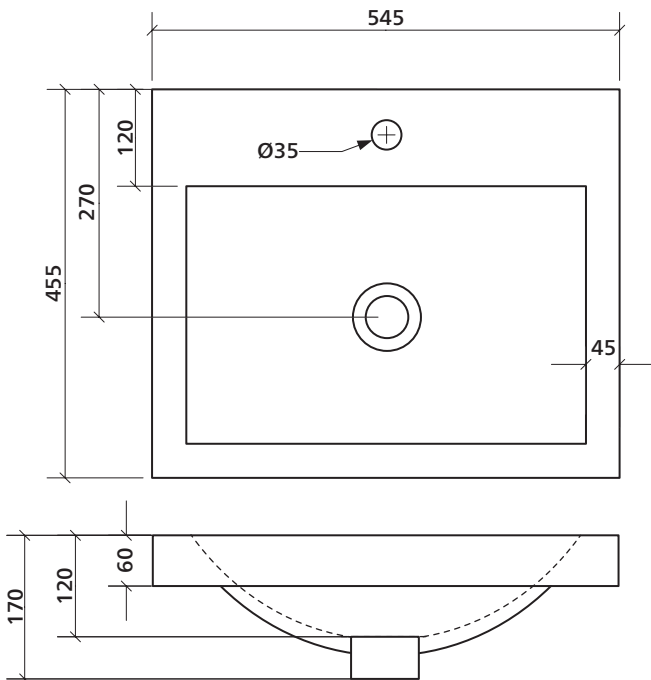
This contemporary inset basin has generous capacity with a low above counter profile and most of the basin sitting below the benchtop. The wide rim enables this inset basin to be used with a variety of benchtop materials.

Order codes


191444	Kyra 016, 1 taphole	Old code: SBC-016
191445	Kyra 016, no taphole	Old code: SBC-016-0T

Product details

TAPHOLE	0 or 1 taphole.
WASTE	Suits standard 32 mm waste with overflow (not supplied).
CAPACITY	6 litres.
OVERFLOW	Standard with overflow.
MATERIAL	White vitreous china.
COLOUR	White.
FIXING	Always use the actual basin to verify cutout. Use silicone sealant. Do not use epoxy type adhesives.



Kyra 016

 Basin has integrated overflow.

Premium Basin Wastes (AVAILABLE SEPARATELY)

POP-OUT BASIN WASTE – WITH CERAMIC CAP AND CHROME BASE

192258 Ceramic Pop-out Basin Waste, White Gloss
(Note: Ceramic caps are also available in other colours and finishes)

POP-OUT BASIN WASTE – WITH METAL CAP AND MATCHING BASE

192010	Pop-out Basin Waste – Chrome
192012	Pop-out Basin Waste – Brushed Nickel
192199	Pop-out Basin Waste – Gunmetal
192013	Pop-out Basin Waste – Brushed Gold
192009	Pop-out Basin Waste – White Matte
192011	Pop-out Basin Waste – Black Matte



basin wastes

SEIMA

kitchen + laundry + bathroom ware

seima.com.au

Please note

- All measurements are in millimetres.
- Dimensions are nominal and subject to normal ceramic manufacturing variations of ±5mm.
- Wastes, taps and bottle traps shown in images are not included unless specified.
- Fixing: Use silicone sealant. Do not use epoxy type adhesives.
- Always use the actual basin to verify cutout.
- Specifications may vary without notice as part of our continuous improvement practices.
- Clean with a damp cloth. Do not use abrasive cleaners, liquids or pastes.