

Kubic 450 extra deep

Collection: Elevate



Sleek utility sink with extra-deep bowl and tap platform. Square lines, architectural aesthetic.

The simplicity, square lines and sleek satin finish of the Kubic series create a soft architectural aesthetic to complement contemporary and classic design influences.

Kubic Deep sinks are perfect for your outdoor kitchen, pantry and designer laundry.

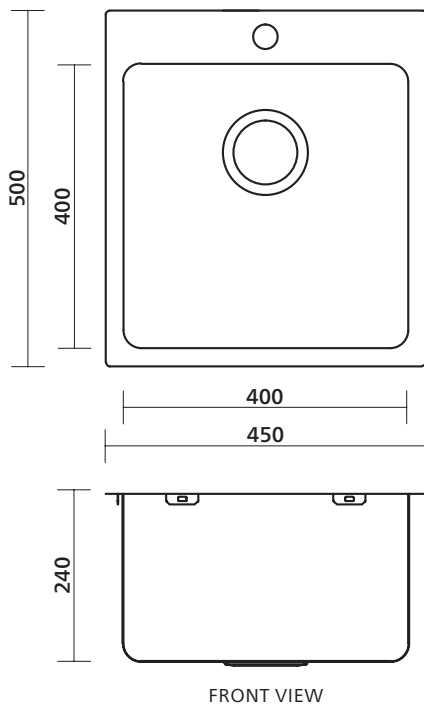
- Square lines and silk finish
- Square corners, flat rim (sits flat on benchtop)
- Large built-in tap platform
- 1.0 mm thick premium 304 grade stainless steel
- Extra-deep bowls – 240 mm
- Easy to clean corners
- Optional overflow, located at front of sink
- Sound deadening
- Designer basket wastes

Order codes

191653	Kubic 450, 1 taphole	old code: SKS-KL450-1T
191654	Kubic 450, no taphole	old code: SKS-KL450-0T
191656	Kubic 450, 1 taphole, overflow kit	old code: SKS-KL450-OF
191655	Kubic 450, no taphole, overflow kit	

Product details

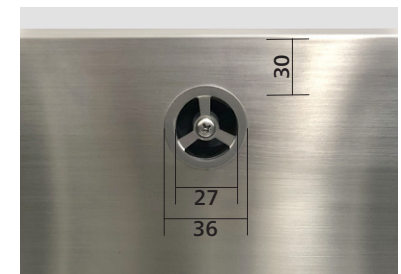
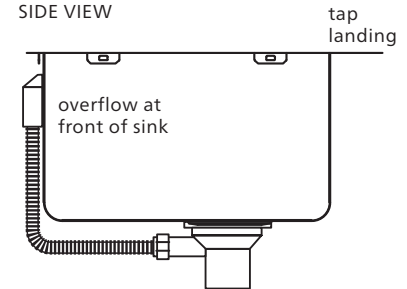
SUMMARY	Single bowl
WASTE	Includes basket waste
OVERFLOW	Optional overflow, located at front of sink opposite tap landing
BOWL SIZE	400 x 400 mm, 240 mm deep
CAPACITY	35 litres.
ACCESSORIES	A variety of sink accessories is available.



OPTIONAL OVERFLOW

Overflow located at front of sink, opposite tap landing.

SIDE VIEW



SEIMA

kitchen + laundry + bathroom ware

seima.com.au

Please note

- All measurements are in millimetres.
- Always use the actual product to verify cutout.
- Use silicone sealant. Do not use epoxy type adhesives.
- Specifications may vary without notice as part of our continuous improvement practices.