

# Kato 400 basin mixer

---



## Basin mixer

Inspired by primary forms, the Kato Series embodies flat planes and smooth, square edges. The contemporary design collection includes a swivel kitchen mixer, basin and shower/bath mixer.

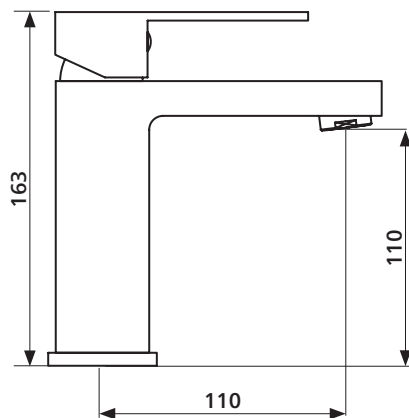
- Square, flat planes
- Easy-to-use handle
- Premium quality, chrome finish

## Order codes

191734 Kato 400 basin mixer (old code: SMT-400B)

## Product details

WELS	4 star rating, 7.5L/min (T25611)
HANDLE	Lever handle
TAPHOLE	35 mm
CARTRIDGE	Ceramic cartridge
MATERIAL	Chrome plated, solid brass construction
OTHER	Hot and cold indicators



---

# SEIMA

kitchen + laundry + bathroom ware

[seima.com.au](http://seima.com.au)

## Please note

- All measurements are in millimetres.
- Fixing: Use silicone sealant. Do not use epoxy type adhesives.
- Use the actual product to verify installation details.
- Specifications may vary without notice as part of our continuous improvement practices.
- Clean with a damp cloth. Do not use abrasive cleaners, liquids or pastes.