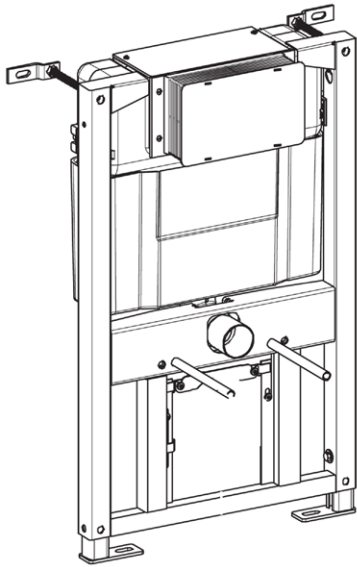


InWall C201 Cistern with Frame

Former name: InWall C201 Cistern



Undercounter in-wall cistern with frame

- Suits wall hung pan
- Suits nib wall installation

This in-wall cistern is part of the Seima InWall toilet system. The cistern is activated through pneumatic flush buttons.

- Suits wall hung toilet pan.
- Undercounter cistern design for installation in a nib wall.
- Front access or top access through flush plate.
- Fully insulated by anti-condensation foam to prevent moisture escape.
- Powder coated galvanised steel frame for durability.
- Easy to install.
- Innovative design allows the cistern to be serviced through the flush plate.

Order codes

191809 Inwall C201 cistern w frame

Old code: STO-C201

Product details

ACCESS Front access or top access.

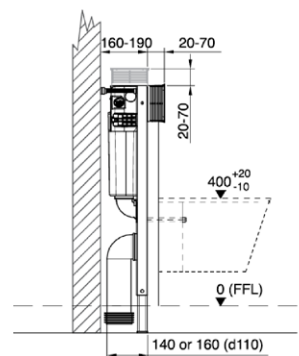
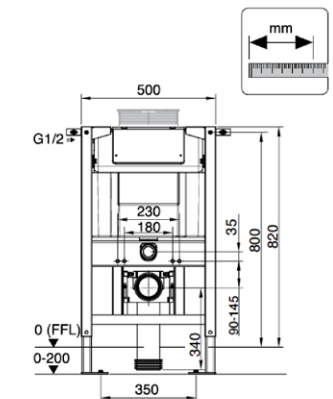
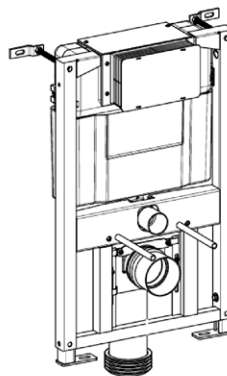
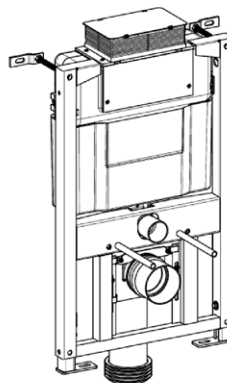
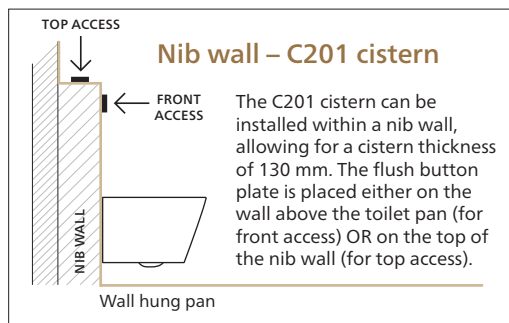
FRAME Powder coated galvanised steel.

WELS 4 star rating 4.5/3 litre water saving flush (Reg 04739).

PAN Suits wall hung pan.

BUTTONS Compatible with the full range of Seima flush buttons.

INSTALLATION Refer to installation instructions for details.



SEIMA

kitchen + laundry + bathroom ware

seima.com.au

Please note

- Installation shall be in accordance with AS/NZS3500.
- All measurements are in millimetres. Height dimensions are to base of pan. Make allowance for bedding.
- Bedding: Pan may be bedded with cement base or using silicone sealant. Fix pan to floor using a sand cement mixture of 3:1 to a depth of 60mm. Do not use lime or fast-drying cement.

- Bracket fixing: The pan should be bedded with silicone sealant and fixed with the brackets supplied.
- Do NOT use epoxy type adhesives.
- Dimensions are nominal and subject to normal ceramic manufacturing variations.
- Specifications may vary without notice as part of our continuous improvement practices.
- Clean with a damp cloth. Do not use abrasive cleaners, liquids or pastes.