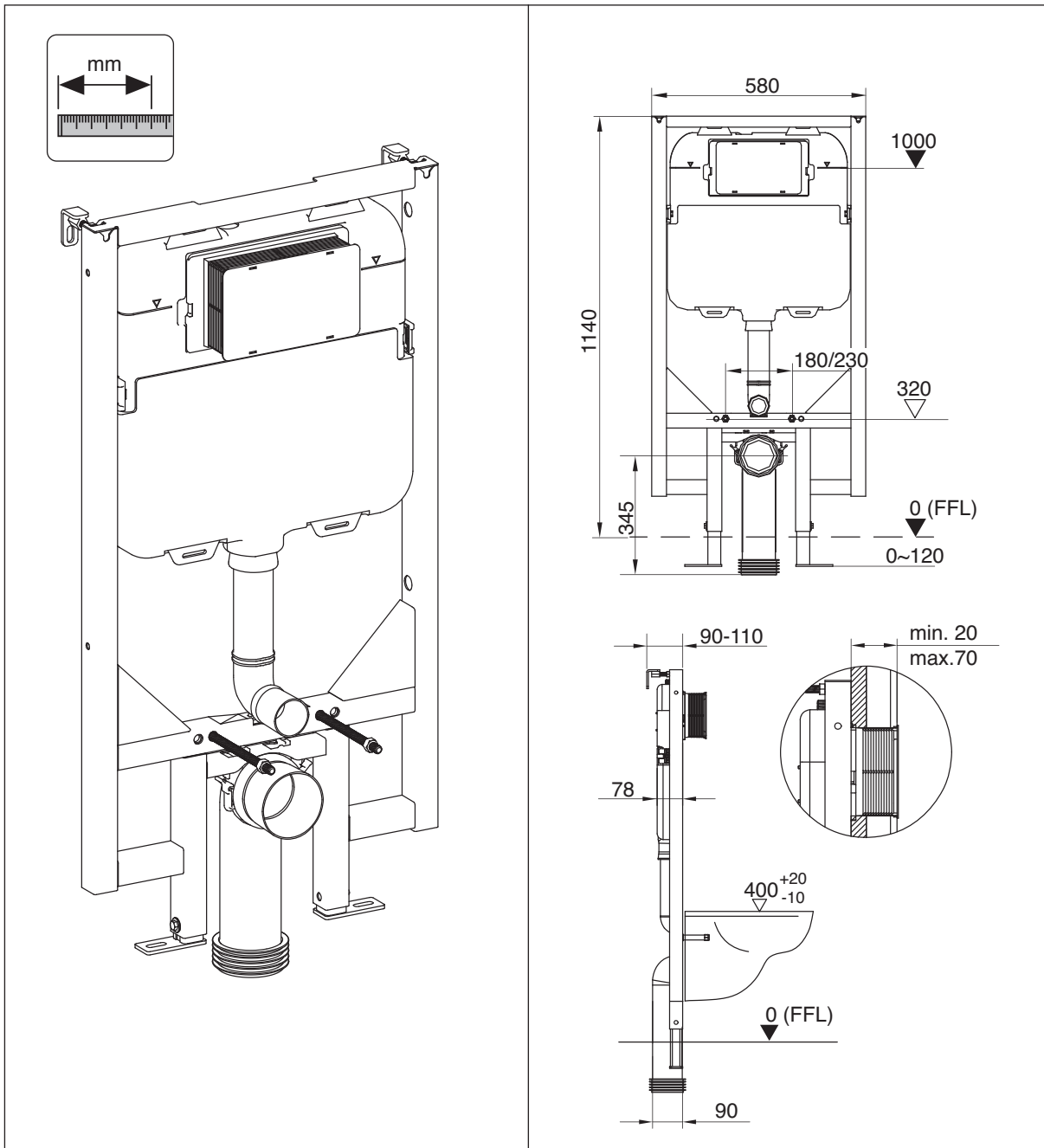


InWall Cistern C200 with Frame

- 1 Cistern must be installed by a licensed plumber. Failure to do so may void the warranty.
- 2 Refer to pan specifications for dimensions from finished floor level (FFL) to pan inlet and outlet.
- 3 These instructions show flush plate installation for front access. To install flush plate for remote access, refer to the flush plate instructions.



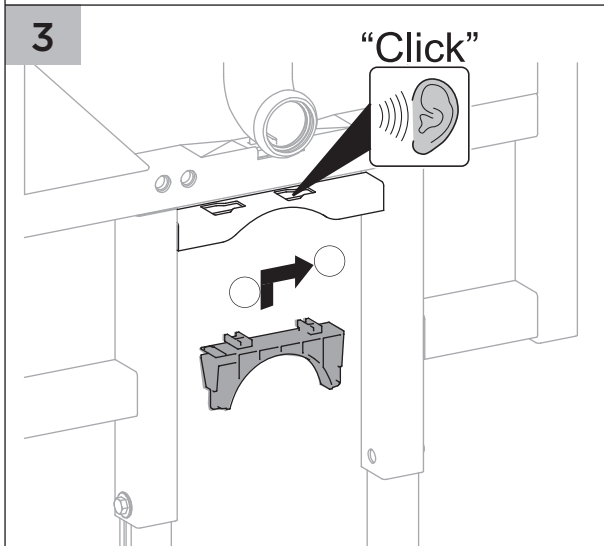
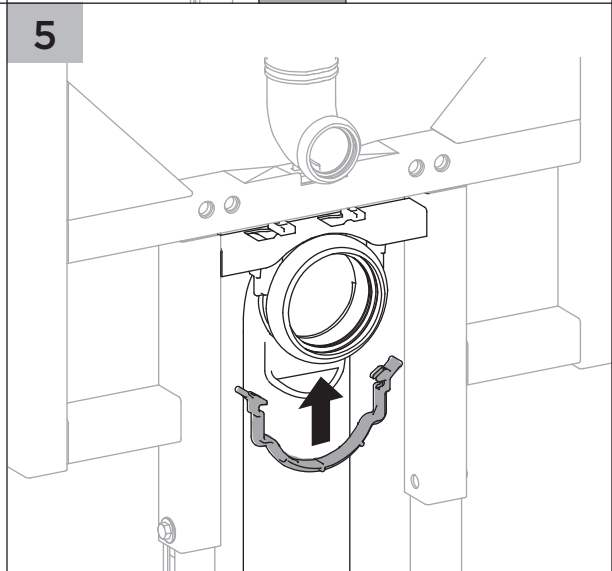
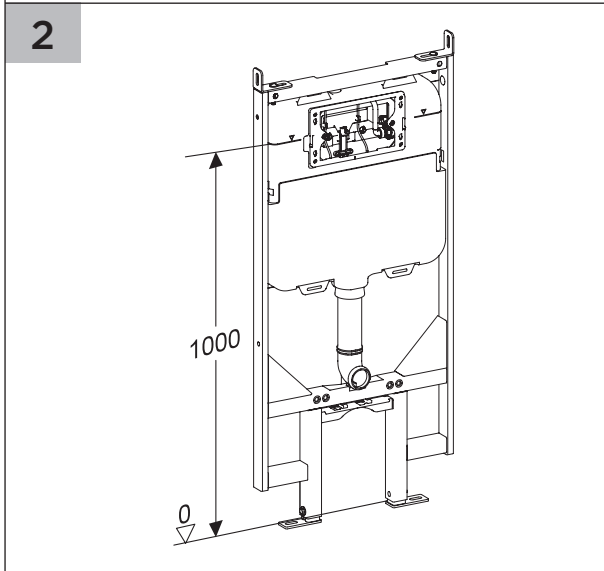
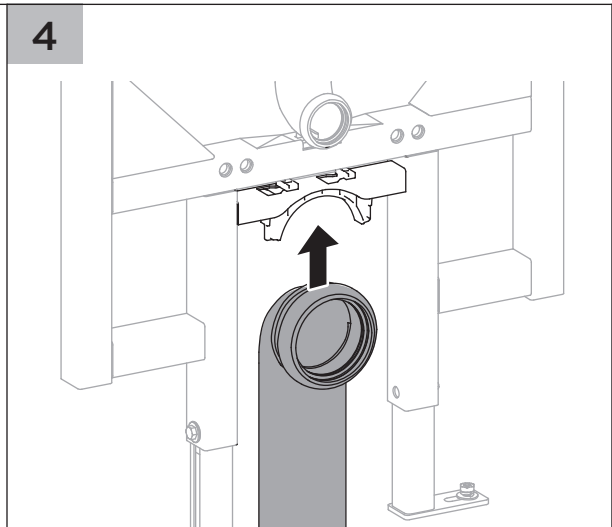
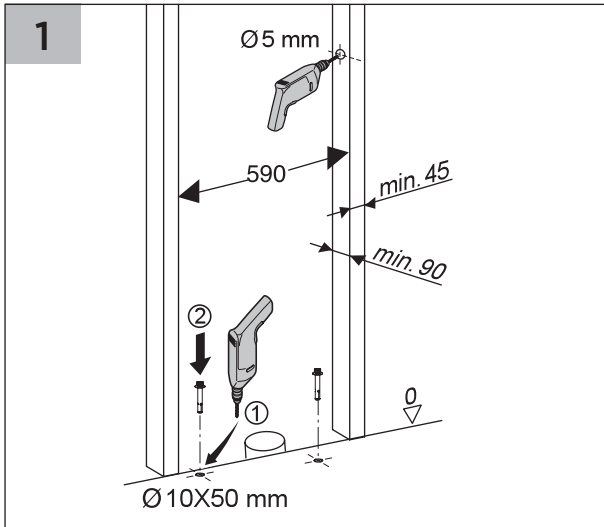
SEIMA

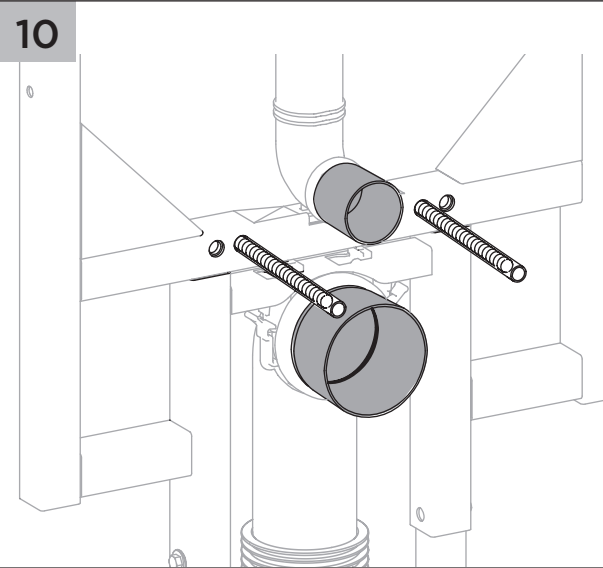
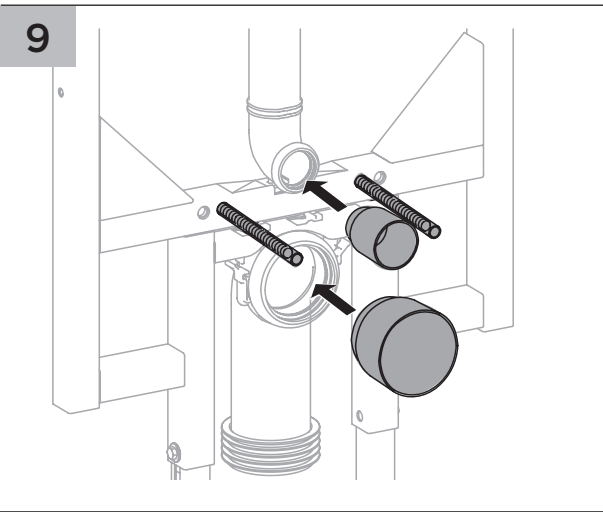
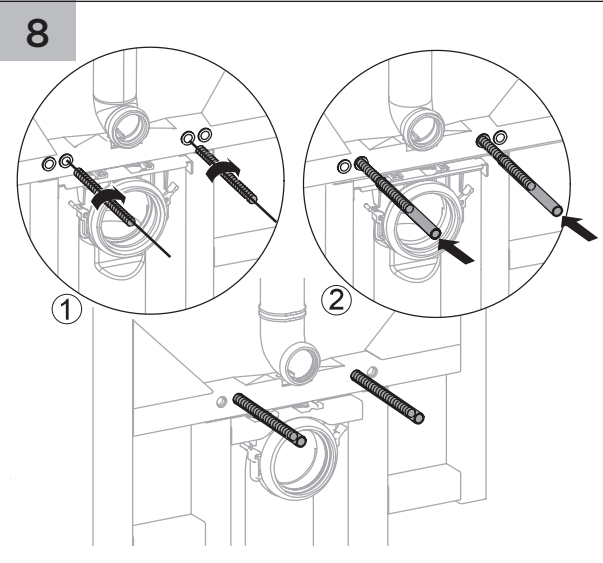
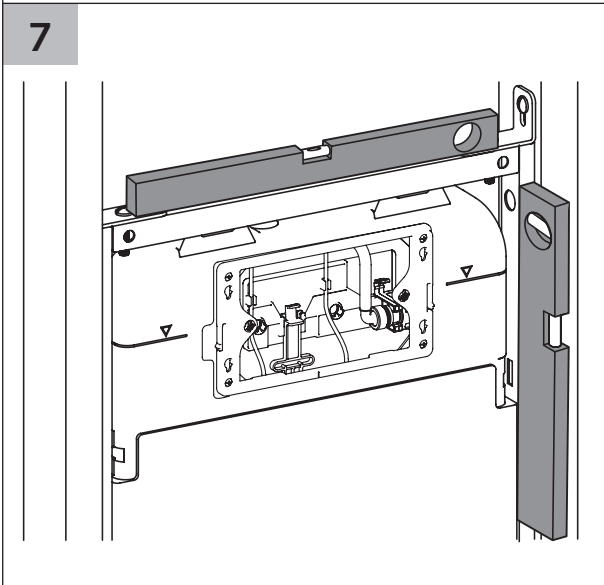
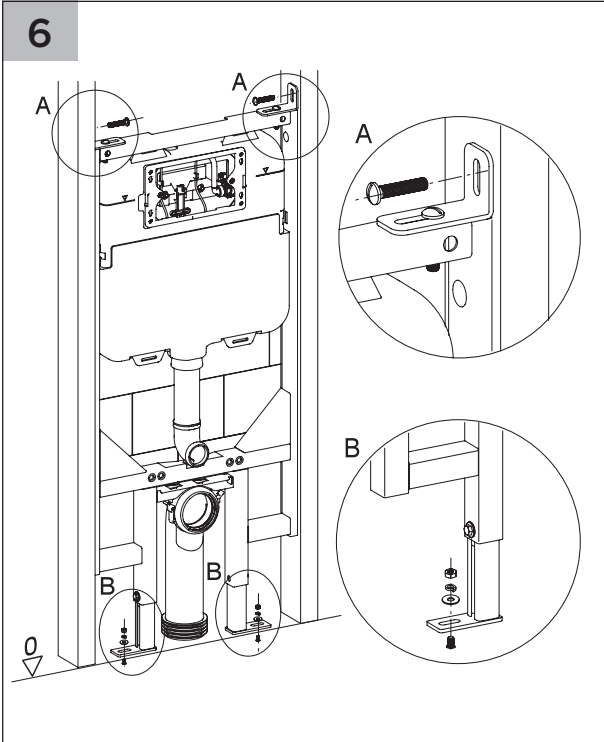
kitchen + laundry + bathroom ware

seima.com.au

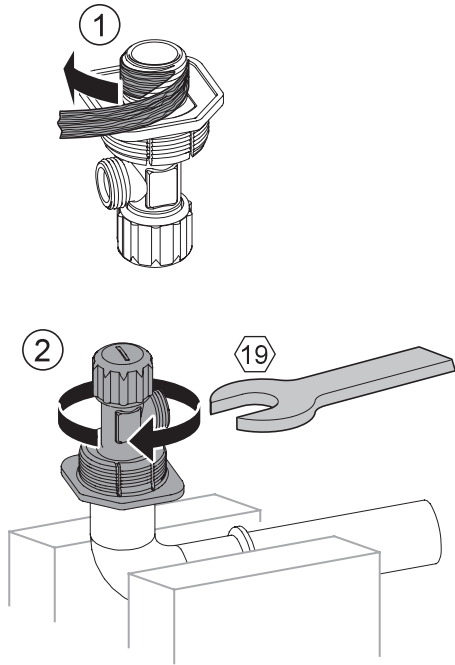
Please note

- Installation shall be in accordance with AS/NZS3500.
- All measurements are in millimetres.
- Do not use epoxy type adhesives.
- Specifications may vary without notice as part of our continuous improvement practices.
- Clean with a damp cloth. Do not use abrasive cleaners, liquids or pastes.

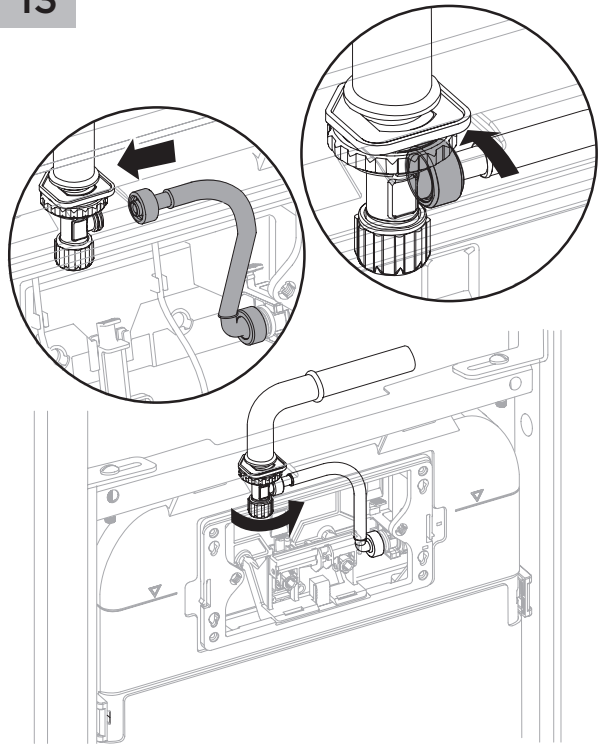




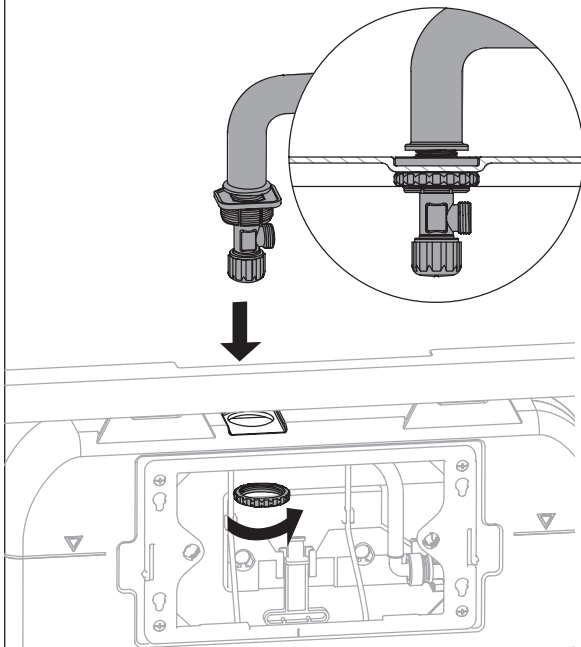
11



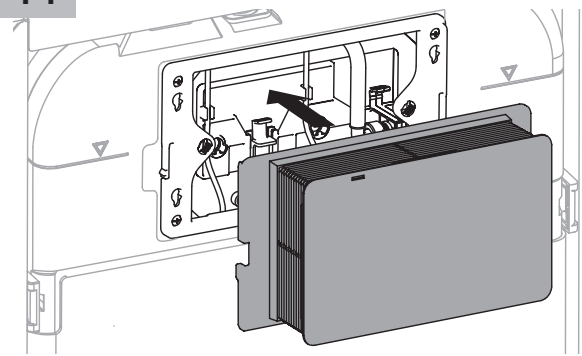
13



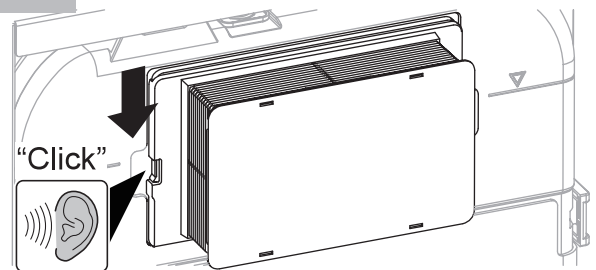
12



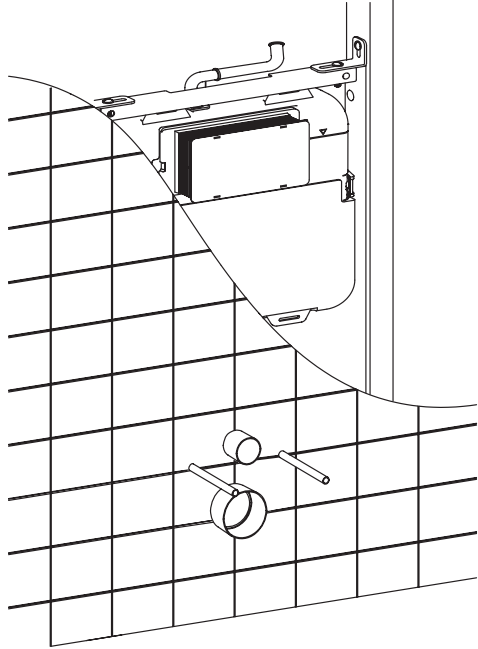
14



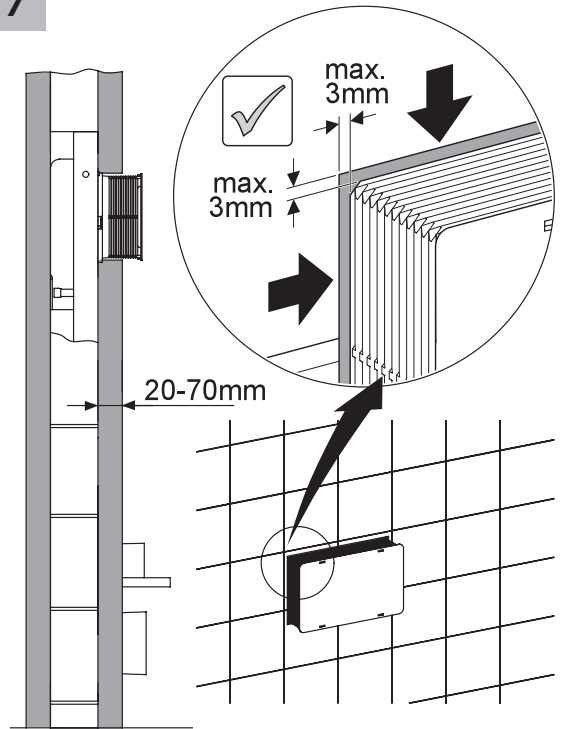
15



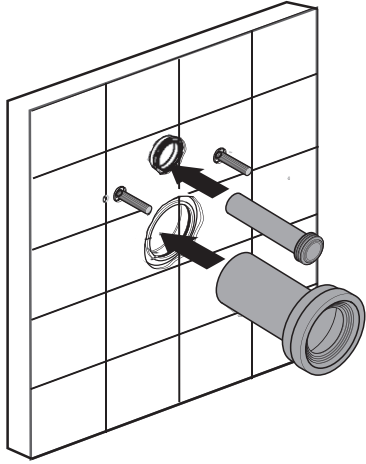
16



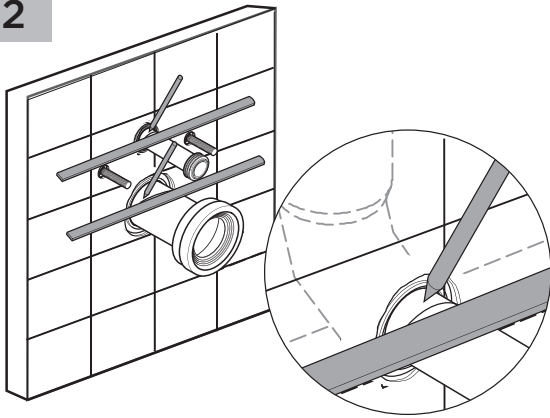
17



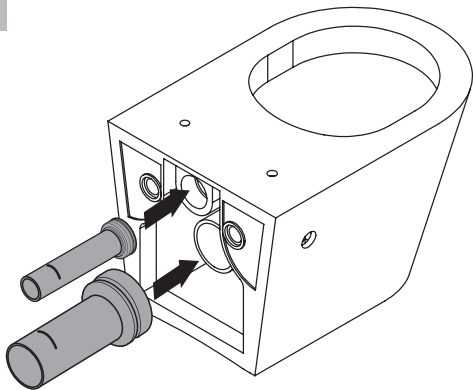
1



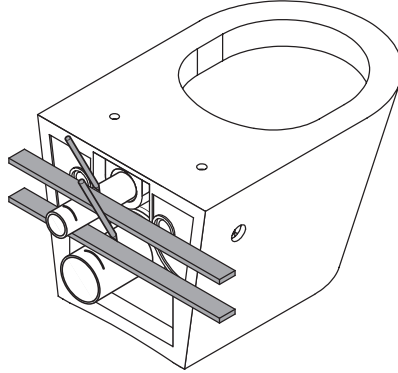
2



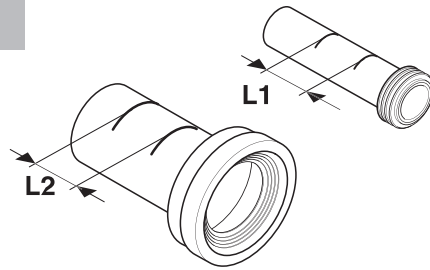
3



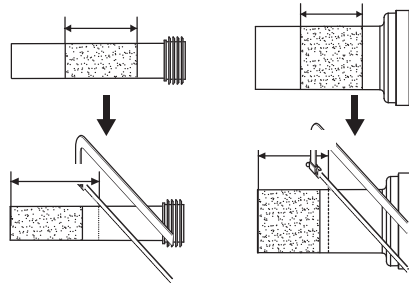
4



5



6



7

