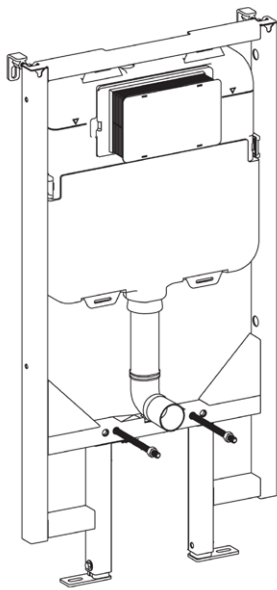


InWall C200 Cistern with Frame – 80mm thick

Former name: InWall C200 Cistern



Slim in-wall cistern with frame

- Suits wall hung pan
- Fits standard wall

This in-wall cistern is part of the Seima in-wall toilet system. The cistern is activated through pneumatic flush buttons.

- Suits wall hung toilet pan.
- 80mm thick, slim cistern design for installation in a standard wall (or other).
- Front access through flush plate.
- Fully insulated by anti-condensation foam to prevent moisture escape.
- Powder coated galvanised steel frame for durability.
- Easy to install.
- Innovative design allows the cistern to be serviced through the flush plate.

Order codes

191808 Inwall C200 cistern w frame Old code: STO-C200

Product details

ACCESS	Front access through flush plate.
FRAME	Powder coated galvanised steel.
WELS	4 star rating 4.5/3 litre water saving flush (Reg 04737).
PAN	Suits wall hung pan.
BUTTONS	Compatible with the full range of Seima flush buttons.
INSTALLATION	Refer to installation instructions for details.

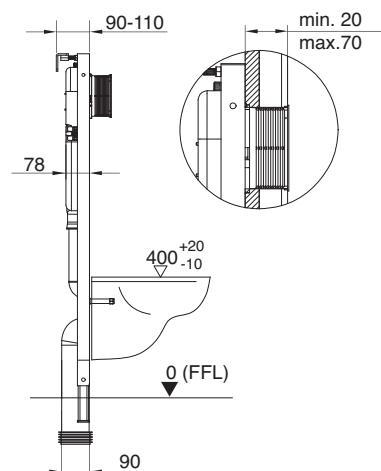
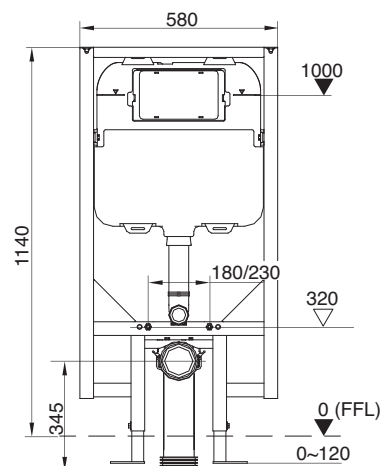
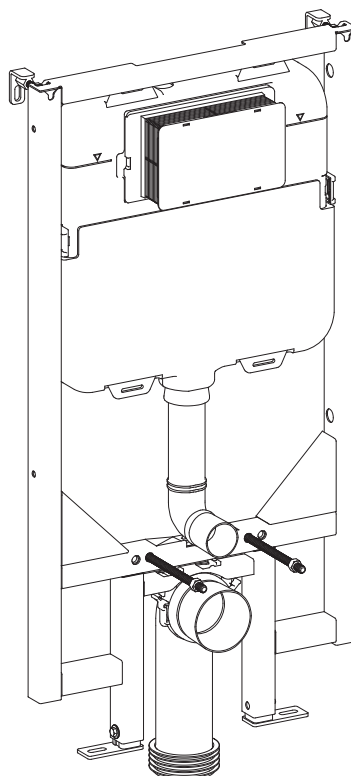
Standard wall – C200 cistern

← FRONT ACCESS

The C200 cistern can be installed within a standard wall, allowing for a cistern thickness of 80 mm. The flush button plate is placed on the wall above the toilet pan (front access). The cistern can be serviced through the flush plate. The C200 cistern can also be used in a nib wall.

STANDARD WALL

Wall hung pan



SEIMA

kitchen + laundry + bathroom ware

seima.com.au

Please note

- Installation shall be in accordance with AS/NZS3500.
- All measurements are in millimetres. Height dimensions are to base of pan. Make allowance for bedding.
- Bedding: Pan may be bedded with cement base or using silicone sealant. Fix pan to floor using a sand cement mixture of 3:1 to a depth of 60mm. Do not use lime or fast-drying cement.

- Bracket fixing: The pan should be bedded with silicone sealant and fixed with the brackets supplied.
- Do NOT use epoxy type adhesives.
- Dimensions are nominal and subject to normal ceramic manufacturing variations.
- Specifications may vary without notice as part of our continuous improvement practices.
- Clean with a damp cloth. Do not use abrasive cleaners, liquids or pastes.