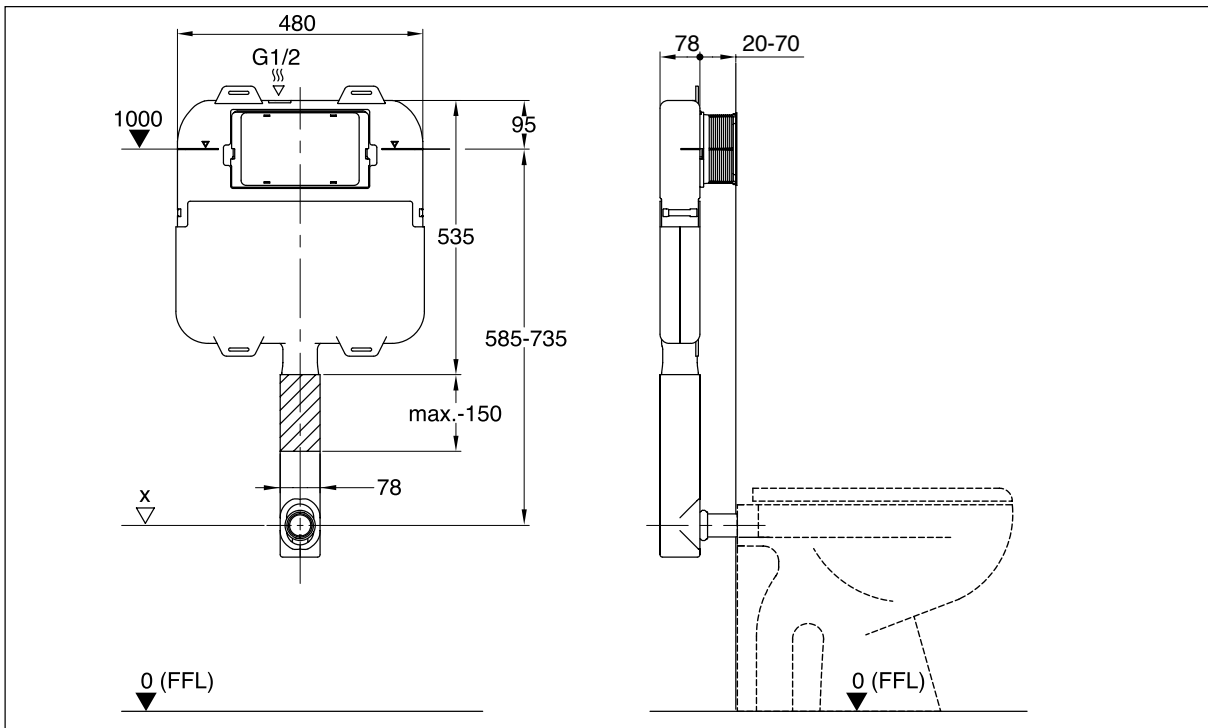
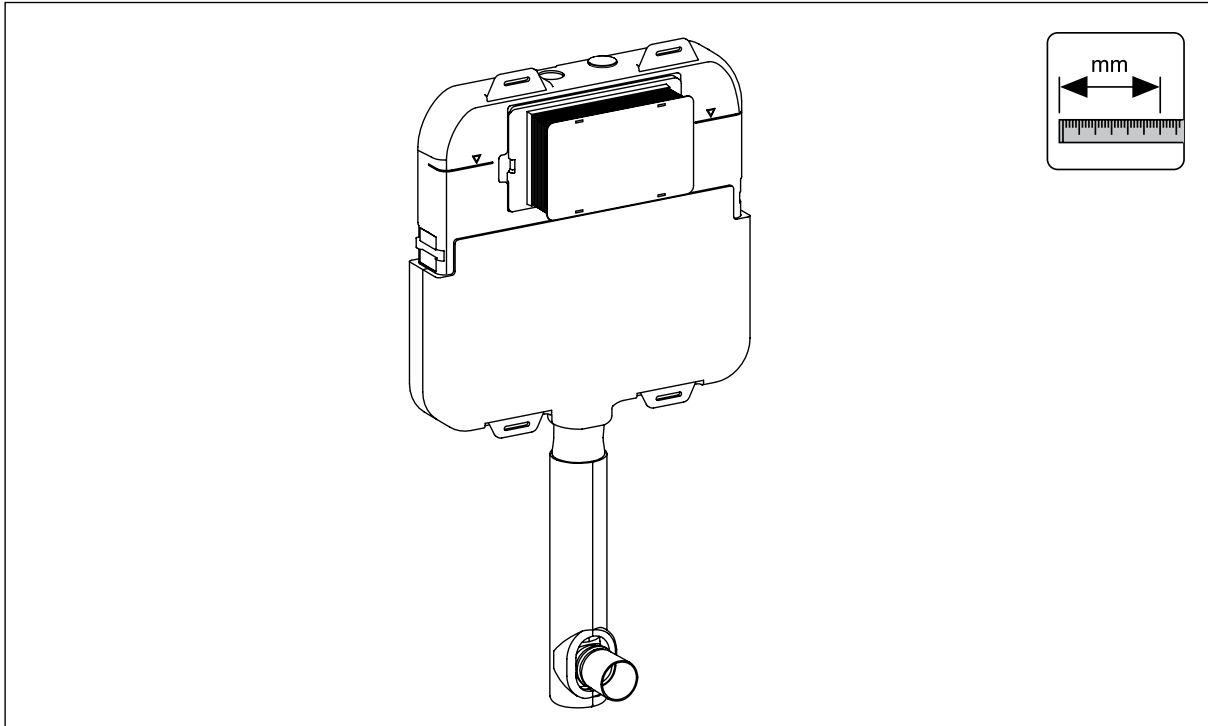


INSTALLATION GUIDE

INWALL CISTERN C100

INSTALLATION GUIDE

- 1 Cistern must be installed by a licensed plumber. Failure to do so may void the warranty.
- 2 Refer to pan specifications for dimensions from finished floor level (FFL) to pan inlet and outlet.
- 3 These instructions show flush plate installation for front access. To install flush plate for remote access, refer to the flush plate instructions.



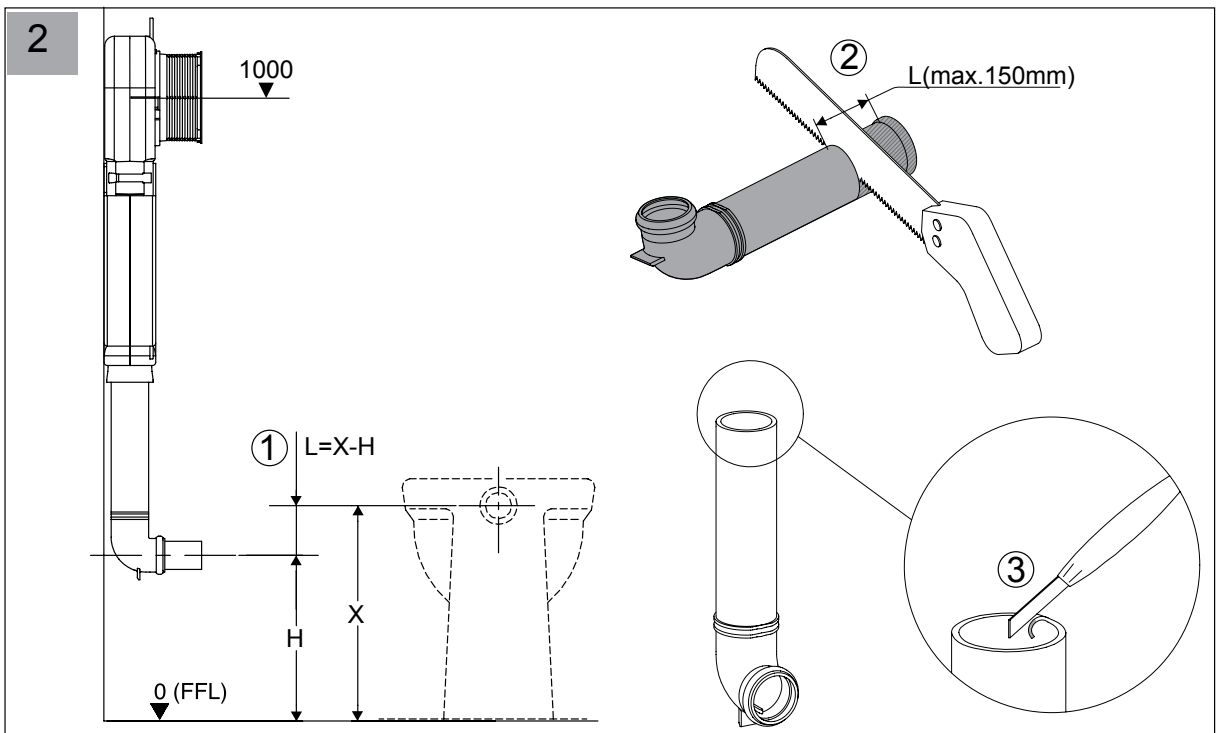
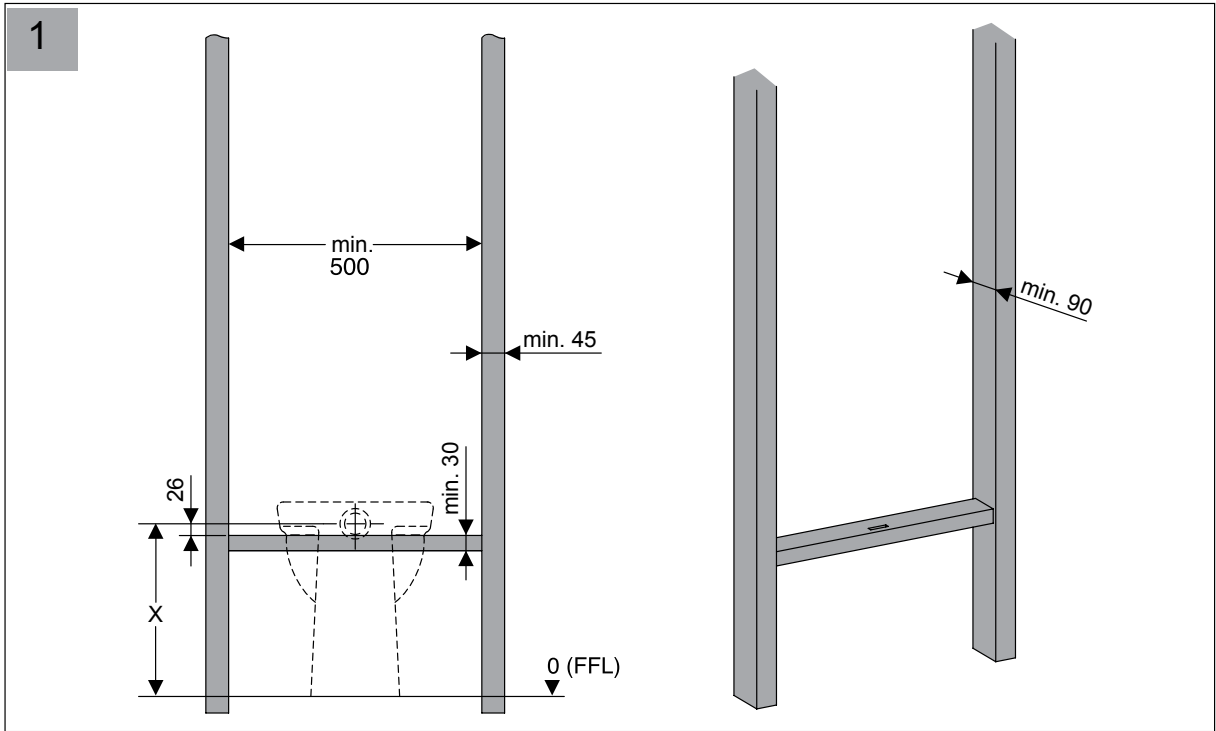
SEIMA

bathroom | kitchen | laundry

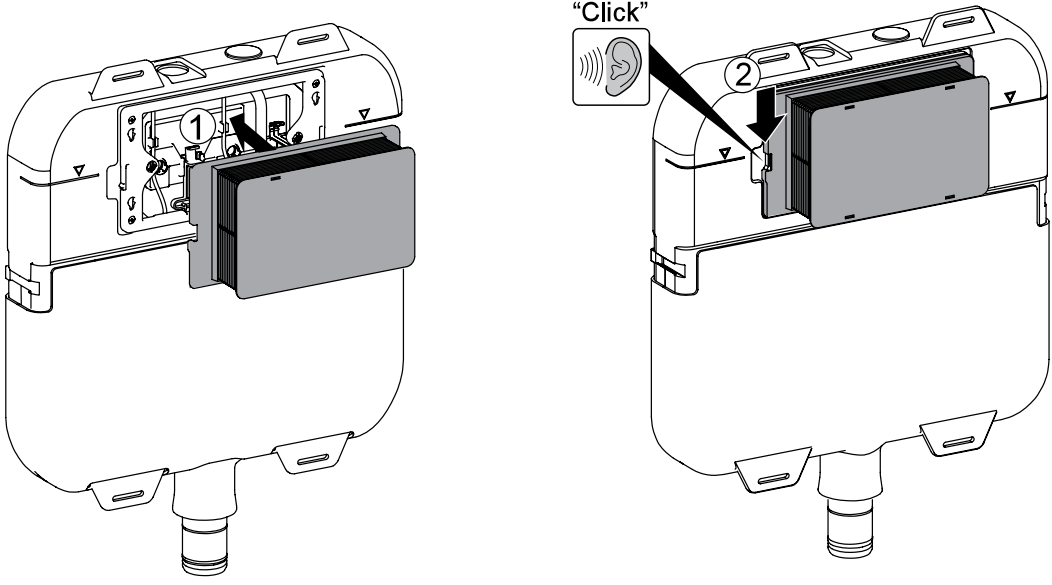
seima.com.au

Please note

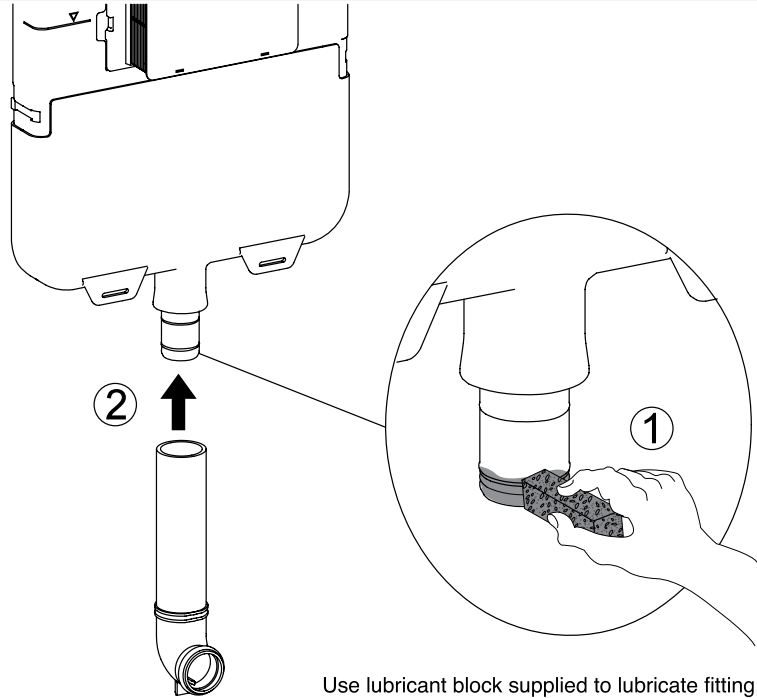
- All measurements are in millimetres.
- Specifications may vary without notice as part of our continuous improvement practices.
- Clean with a damp cloth. Do not use abrasive cleaners, liquids or pastes.



3

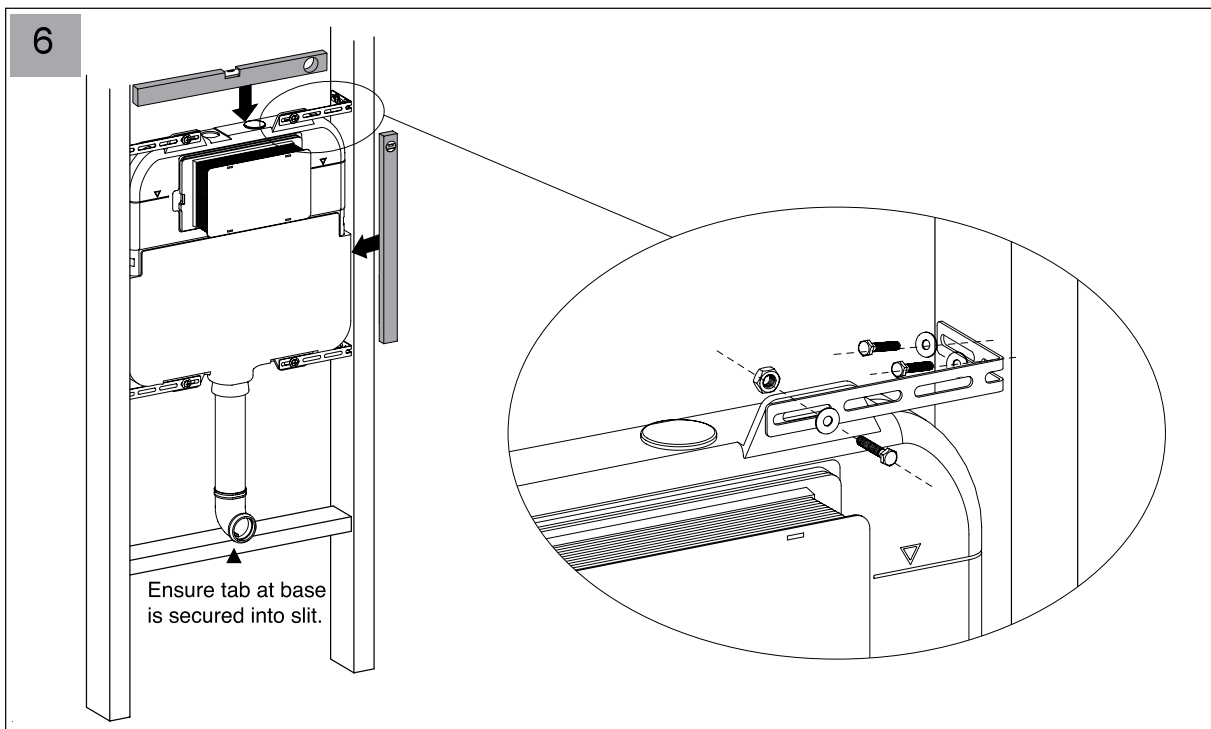
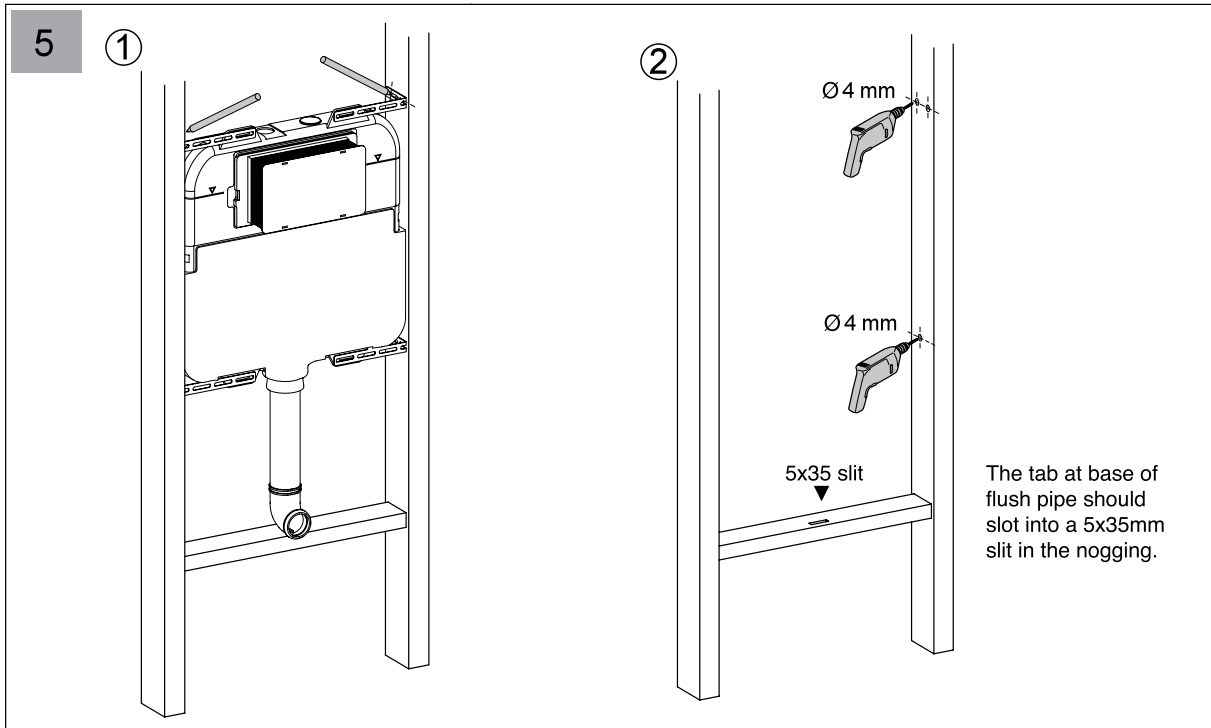


4

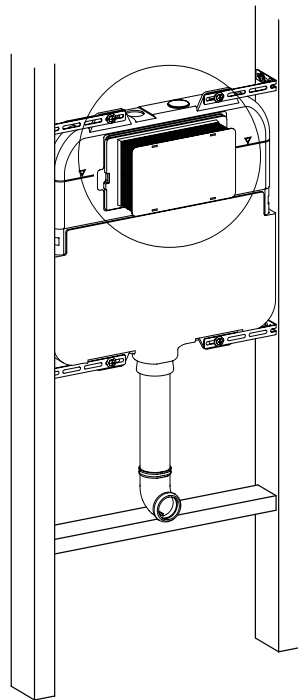


Use lubricant block supplied to lubricate fitting, as shown.

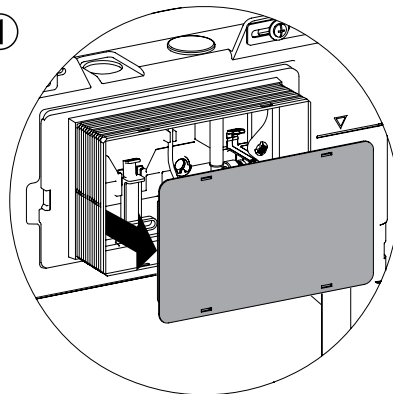
Note: Ensure that the flush pipe is fixed securely to a nogging in the wall in order to avoid it dislodging from the cistern when the pan is fitted.



7

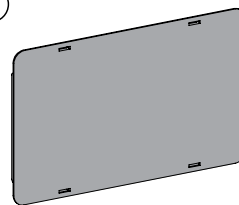


①

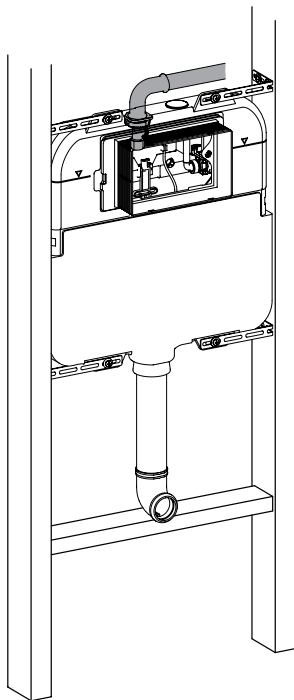


Remove plate and follow Steps 8 and 9 to fit inlet valve fittings.

②



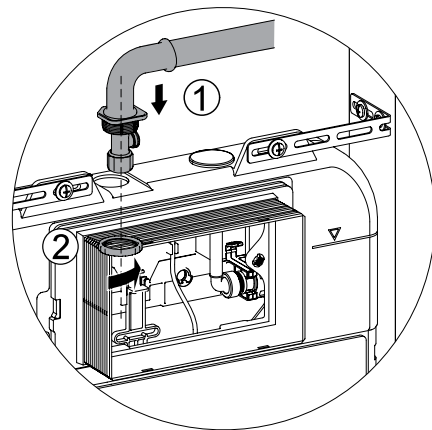
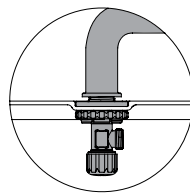
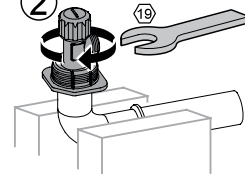
8



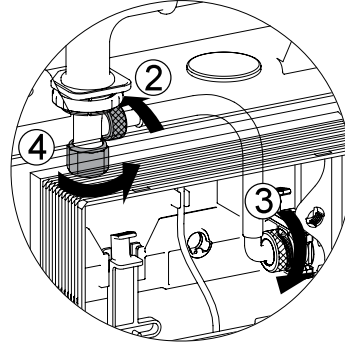
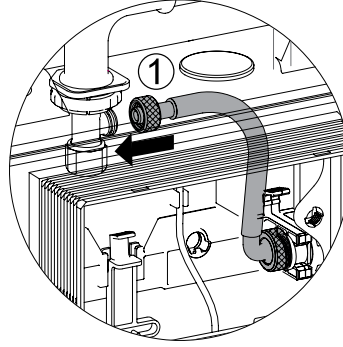
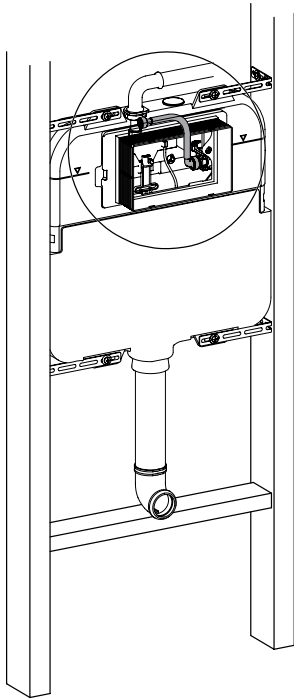
①



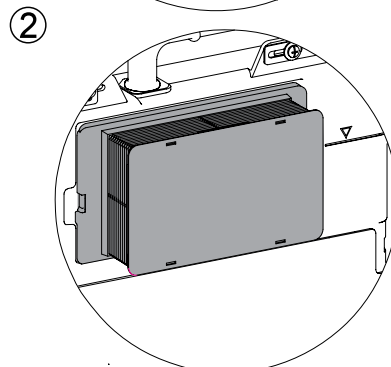
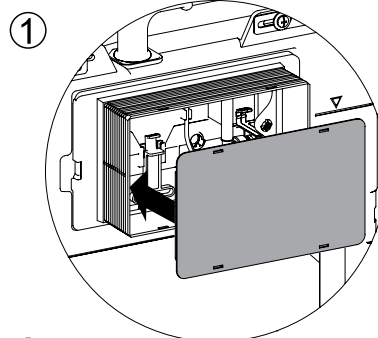
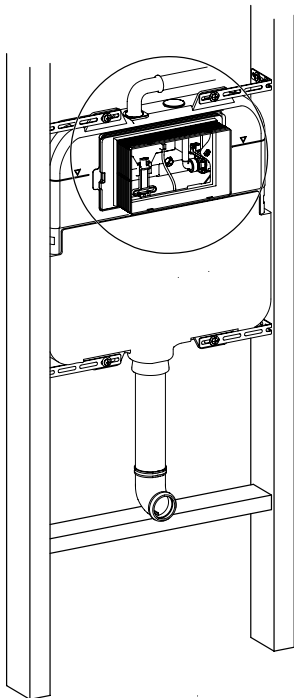
②

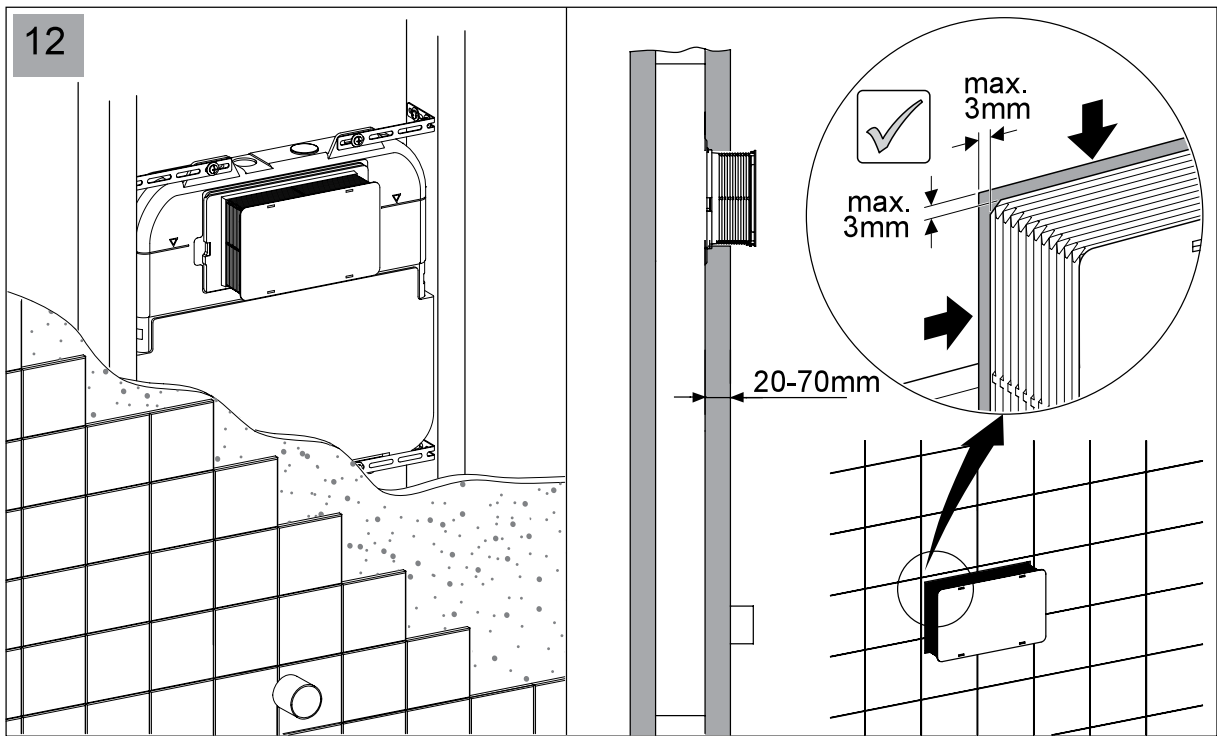
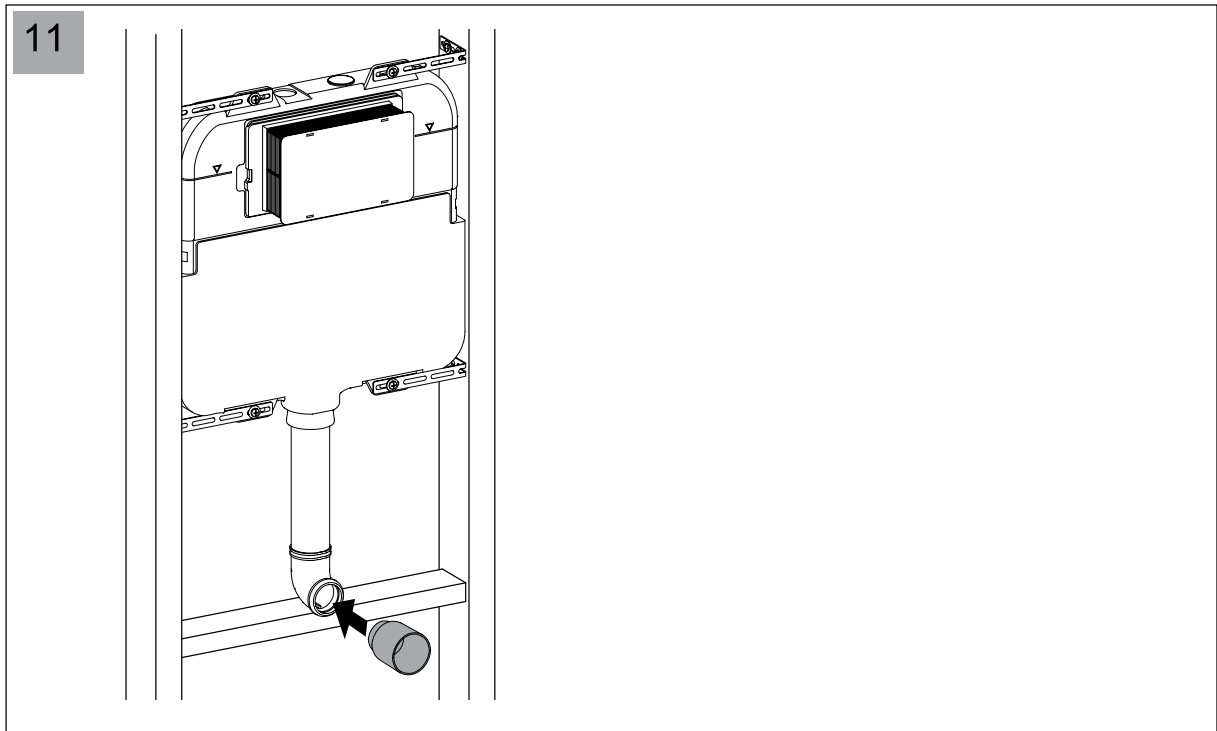


9



10





Note: Refer to flush plate installation instructions.

Note: Refer to pan installation instructions.

